

BR68 Mounting Bracket Installation Notes

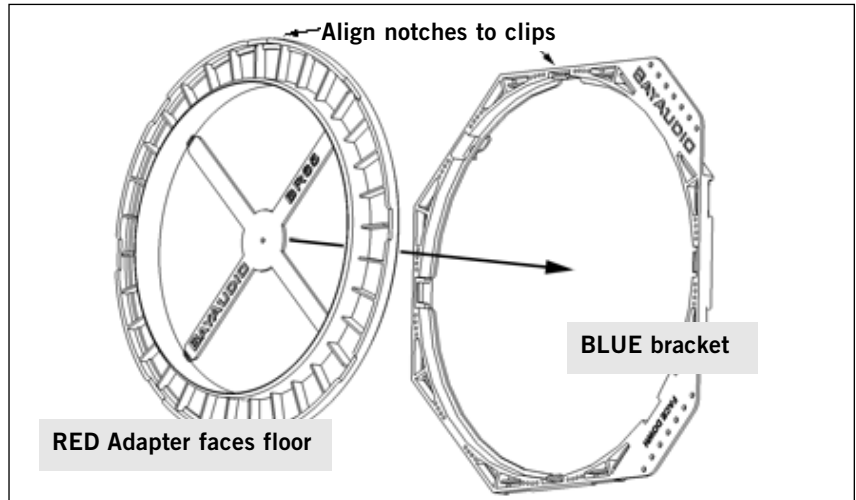
This package contains 10 pieces.

Two (2) BLUE bracket body
Two (2) GREEN 8" Adapter ring
Two (2) RED 6½" Adapter ring
Four (4) Aluminum wings

Installing 6½" speaker bracket

1. Snap the RED Adapter ring into the BLUE bracket body. Align notches to clips.
2. If required, snap wings into BLUE bracket body.
3. Position in ceiling so you can see the Bay Audio logo on the Adapter ring (the logo faces the floor).

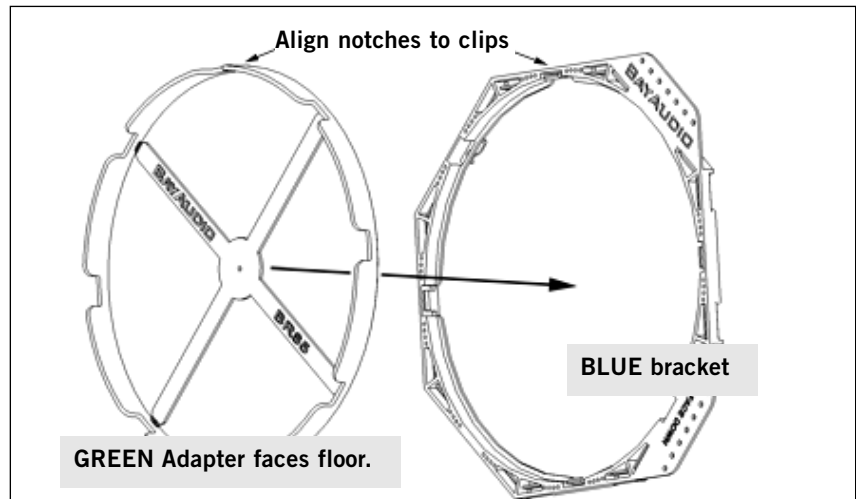
6½" speakers Attach the RED Adapter ring.



Installing 8" speaker bracket

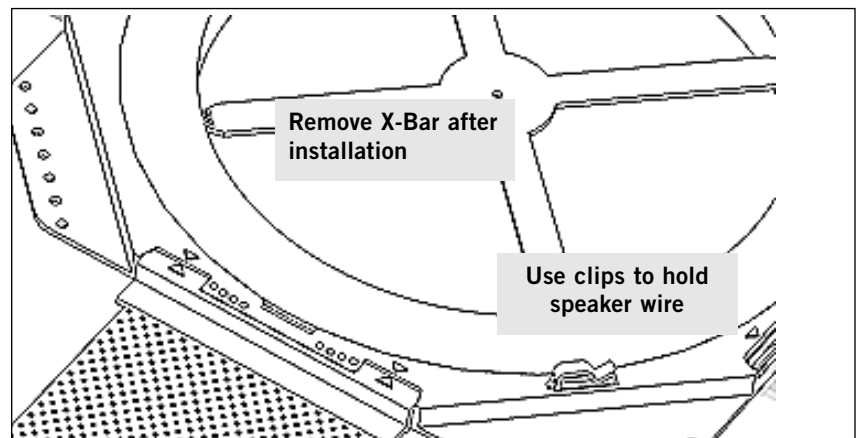
1. Snap the GREEN Adapter ring into the BLUE bracket body. Align notches to clips.
2. If required, snap wings into BLUE bracket body.
3. Position in ceiling so you can see the Bay Audio logo on the Adapter ring (the logo faces the floor).

8" speakers Attach the GREEN Adapter ring.



Using the Centering Guide

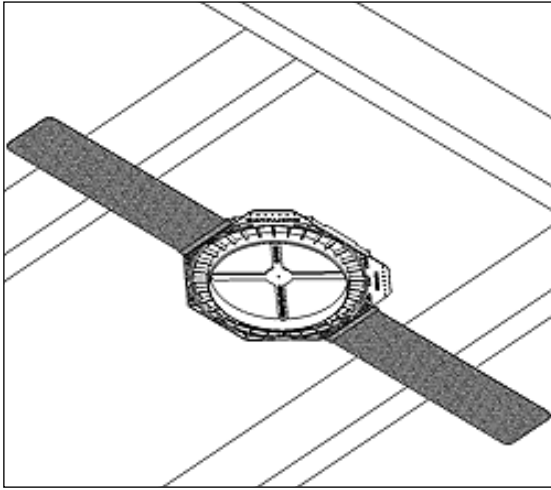
The X-BAR in the middle of the Adapter ring has a centering hole you can use to position the speaker exactly. Snap off the X-BAR after installation.



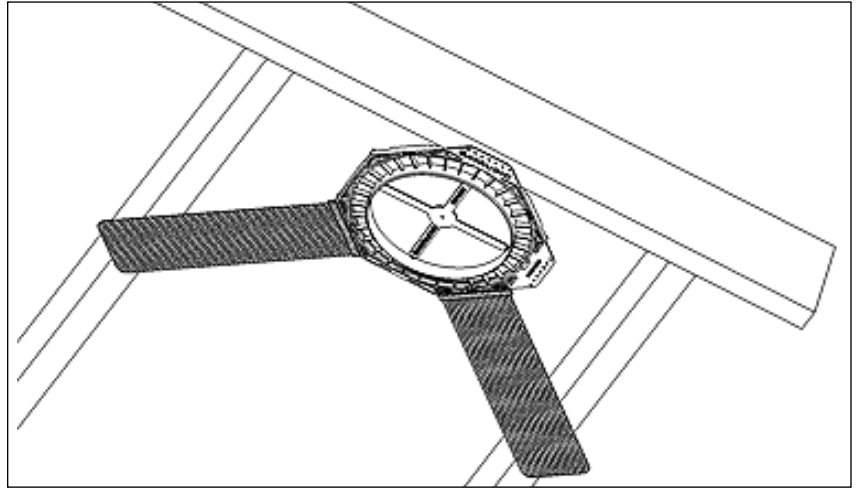
BAYAUDIO

Use the X-Bar to align the bracket in the ceiling. Snap off the X-Bar after installation.

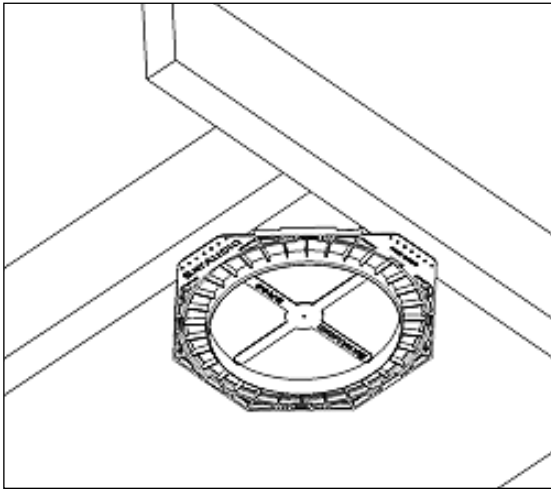
Placement Options



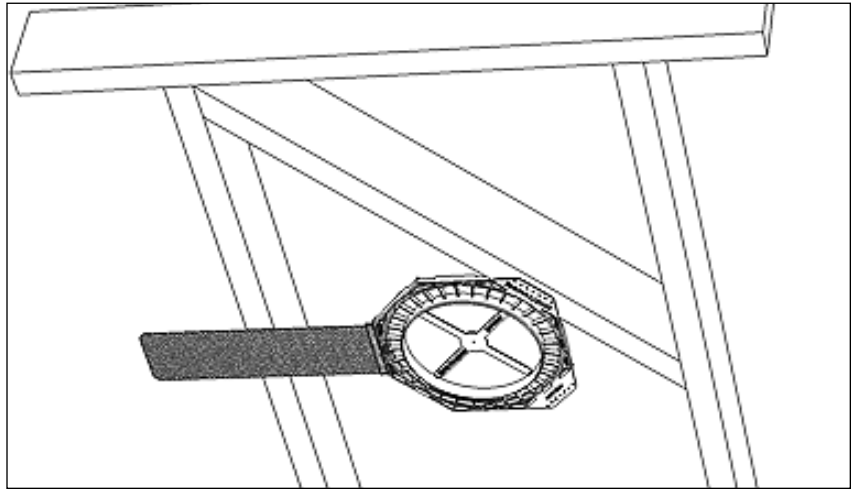
Across two studs



Across two studs, against a third.



In the corner



Angled stud