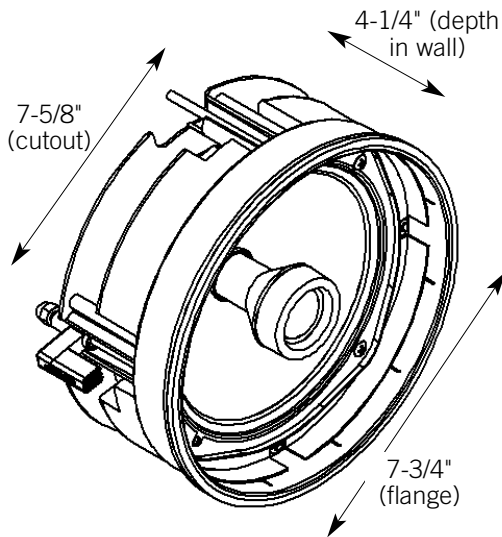
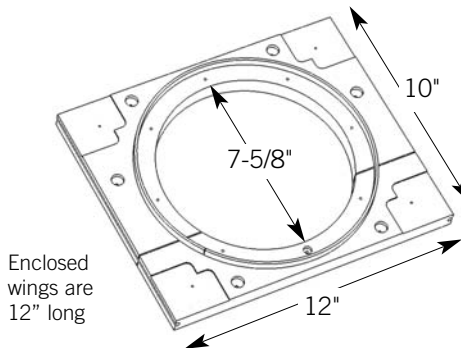


Dimensions and Bracket Information



Bracket

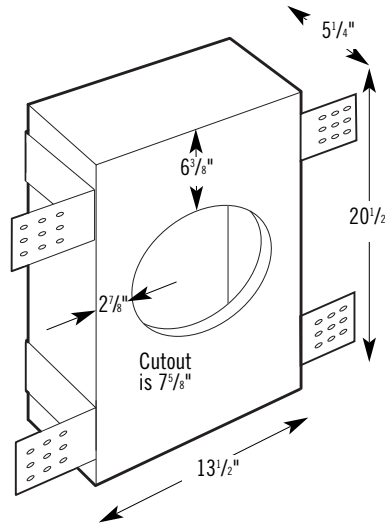


Enclosed wings are 12" long

PBR65 Mounting Bracket

Use for new construction and retrofit.
Mounting options: bracket can float between, or mount directly to studs.

Back Box



BOX65P Back Box

Back boxes are 1/2" MDF. Include damping material and 4 metal brackets. Boxes reduce bleed-through in adjoining rooms by 9dB. Custom sizes available.

Performance

Placement

Ceilings. The Phantom® P65 is weather-resistant, and can be placed in humid environments.

Maximum Output

106dB each, with 100 watts of amplification.

Room Size

Up to 4,500 ft³

Close-Miked Near-Field Response (-3dB)

50-20,000 Hz

6dB Downpoint

40 Hz

Nominal Coverage Angle (-6dB from Reference Axis)

70° Radial

Sensitivity [1 watt (2.83v) at 1m]

86dB

Nominal Impedance

8 ohms

Tweeter

1" pure silk

Bass Unit

6-1/2" long-throw bass unit with aluminum cone, butyl surround.

Connections

Gold-plated push terminals accept pins, spades, or bare wire to 12 gauge.

Construction

Constrained High Mass aluminum frame with 1" MDF baffle, Slot/Lock® clamping system attaches to flush mud ring

Grilles

White powder coated MicroPerf® metal grille.

Weight

5 lbs each

Predictive Placement

SPL

How loud will one speaker play, in dB, with given amplifier power.

Amp Power	Distance from ceiling to ear level				
	3'	6'	9'	12'	15'
25 watts	100dB	95dB	93dB	92dB	90dB
50 watts	103dB	98dB	96dB	95dB	93dB
100 watts	106dB	101dB	99dB	98dB	96dB

Coverage

How wide is the diameter of the coverage pattern, assuming -3dB from reference, as distance increases.

Horiz. Measurement	Distance from ceiling to ear level				
	3'	6'	9'	12'	15'
Coverage (70°)	4'	8'	12'	17'	21'