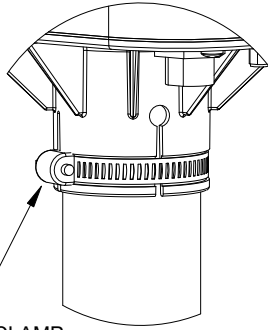


**DETAIL A**



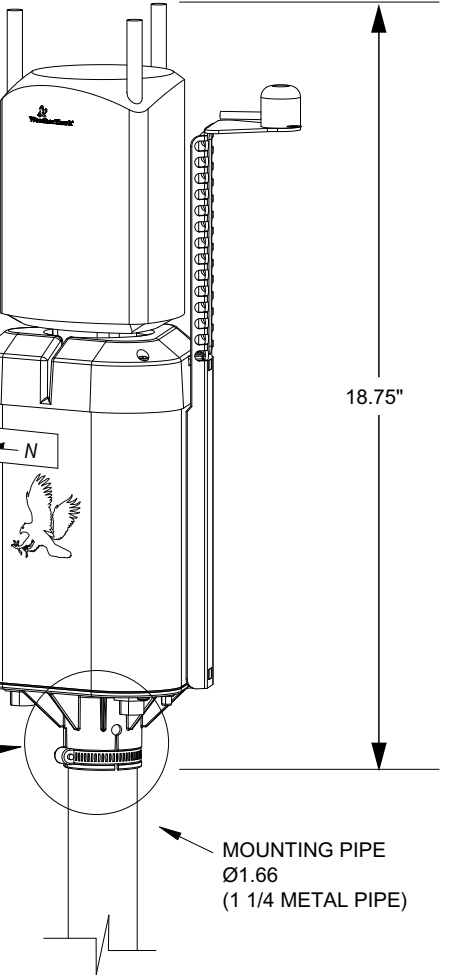
**HOSE CLAMP**

-ATTACH HOSE CLAMP (SUPPLIED) TO WEATHERHAWK.  
-FASTEN TO MOUNTING PIPE.  
(CLAMP RANGE OF Ø1.50 -1.66)

REMOVEABLE STICKER  
-ALIGN STATION TO THE  
NORTHWARD POSITION.  
-REMOVE STICKER.

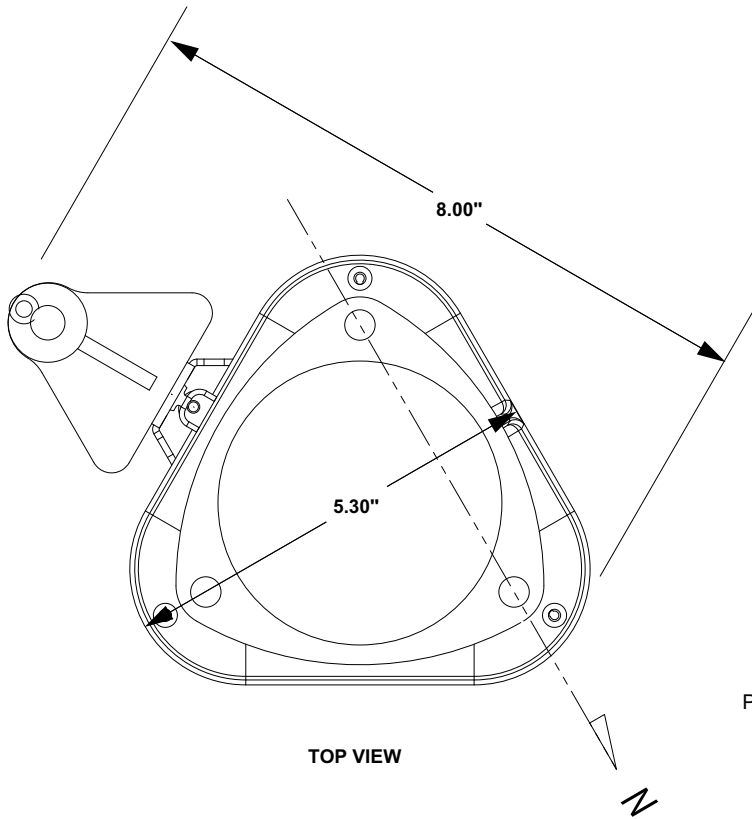
WEATHERHAWK STATION  
PLACE ON TOP OF  
MOUNTING PIPE OR MAST.

REMOVE ONCE  
INSTALLED



18.75"

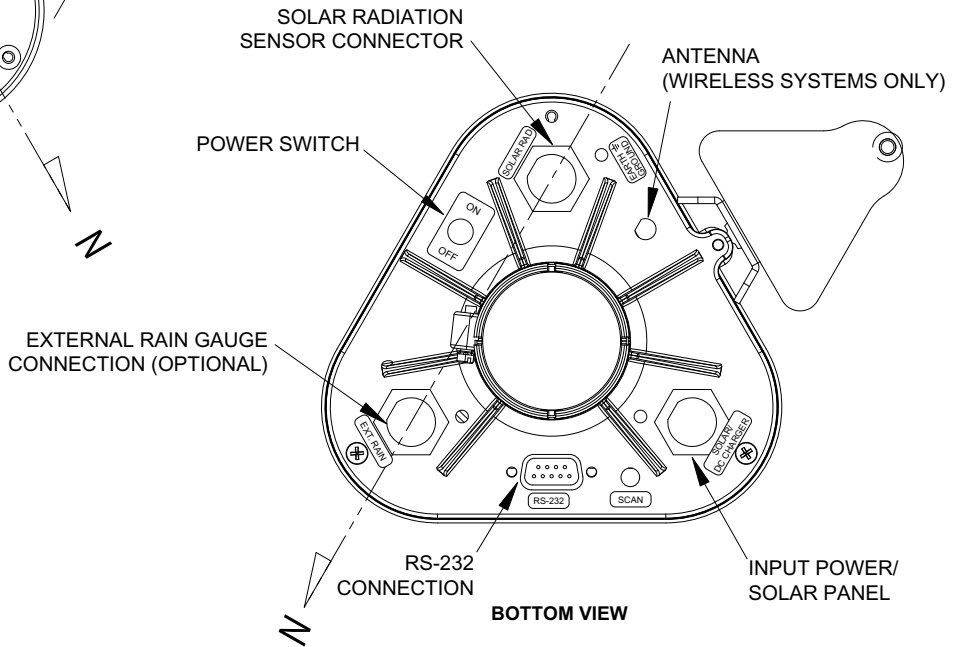
MOUNTING PIPE  
Ø1.66  
(1 1/4 METAL PIPE)



8.00"

5.30"

**TOP VIEW**



**BOTTOM VIEW**

DESCRIPTION:	Installation Details	COPYRIGHT:	05-05-06
MODEL:	WeatherHawk 500 Series	REV.	00