

HomeBase Subwoofer



Bury the HomeBase Sub in a garden, or place under a deck. This compact, high-impact sub adds convincing, party-level bass up to 120 feet away. Underground rated enclosure will not degrade.

Placement

Place the HomeBase subwoofer as close to the center of the listening environment as practical. Bass information is omni-directional, and will spread evenly from the port.

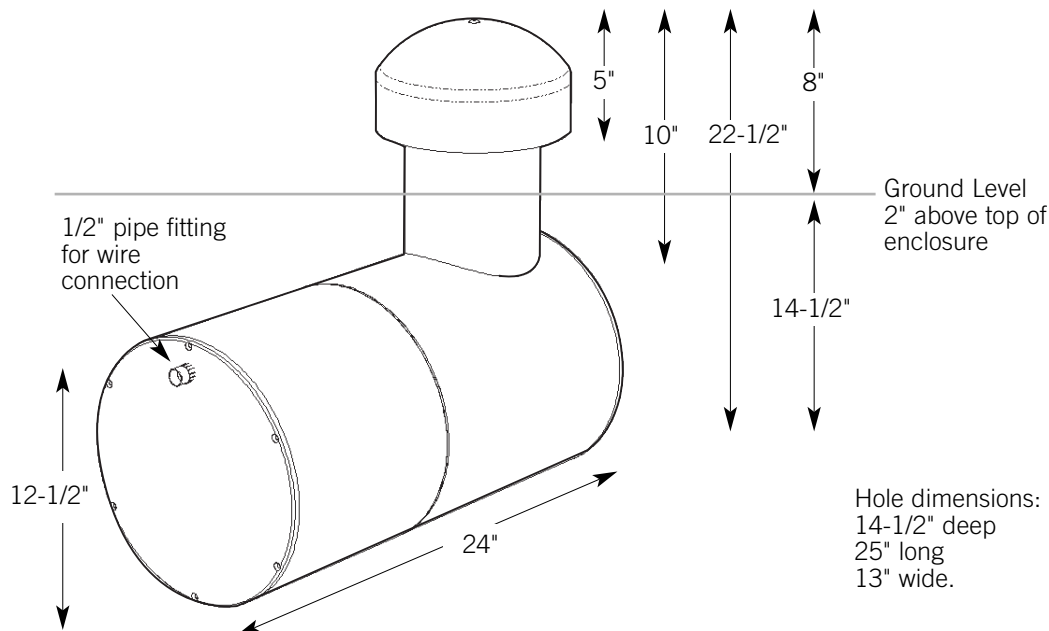
Amplification

Use one 500w PowerPack for each HomeBase subwoofer.

Connections

Ideally, trench and run 12 gauge 2-conductor cable in 1/2" landscape-rated conduit to the subwoofer's location. Attach the cables with twist-on wire connectors, and seal the conduit using a standard plumbing adapter sealed to the subwoofer's 1/2" connector.

Dimensions



Performance

Maximum Output

116dB each, with 500 watts of amplification.

Coverage Area

Up to 11,000 ft²

Close-Miked Near-Field Response (-3dB)

28-90 Hz

6dB Downpoint

24 Hz

Bass Units

Dual 10" long-throw bass units in an isobaric enclosure

Connection

1/2" pipe fitting and pigtail cable

Cabinet Construction

ABS and polypropylene enclosure. Rust-resistant hardware.

Weight

65 pounds