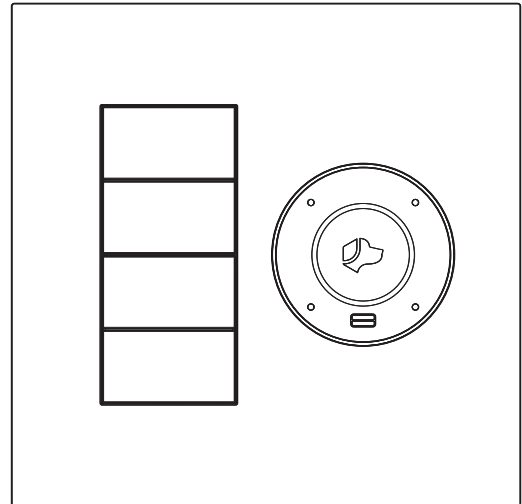


Josh.ai Ready Faceplates

The Josh.ai ready faceplates elegantly combine Lutron keypads with the Josh.ai Nano. With Josh.ai ready faceplates, Lutron keypads and Josh.ai Nanos can now be ganged together in the same wallbox. This provides clients with the convenience of keypad control and the flexibility of voice control, all in one enclosure.

Designer, Palladiom Metal, and Palladiom Architectural Matte faceplates are all available. Faceplates can be purchased with the opening for the Lutron keypad on the left or right side of the faceplate. Faceplates are available in a variety of colors and finishes. For more information on the Josh.ai Nano, please visit www.josh.ai/nano



Specifications

Model Numbers	See How to Build a Model Number on pages 4-6 for more details
Regulatory Approvals	Lutron Quality Systems registered to ISO 9001:2015 Complies with UL 1863
Environment	<i>Ambient operating temperature: 32 °F to 104 °F (0 °C to 40 °C), 0% to 90% non-condensing relative humidity. Indoor use only.</i>
Mounting	<i>Typical U.S. style wallbox dimensions: 3.7 in (95 mm) H × 1.8 in (46 mm) W × 2.8 in (70 mm) D.</i> See Mounting on page 7 for more details.
Wiring	Works with SELV/PELV/NEC® Class 2 devices only
Warranty	www.lutron.com/TechnicalDocumentLibrary/warranty.pdf

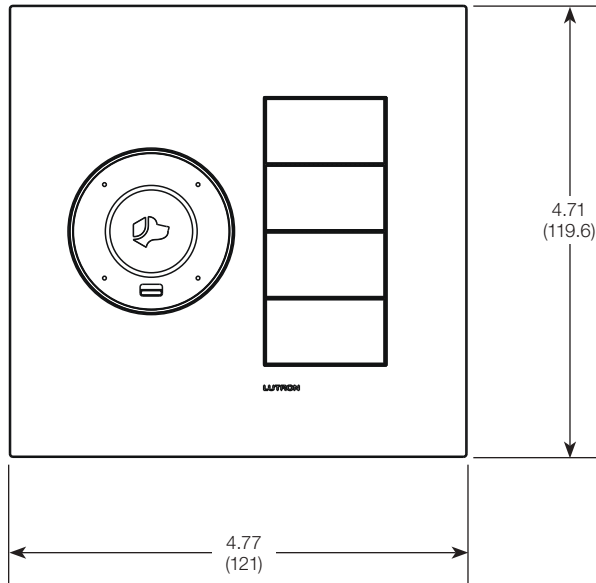
Josh.ai Ready Faceplates

Dimensions

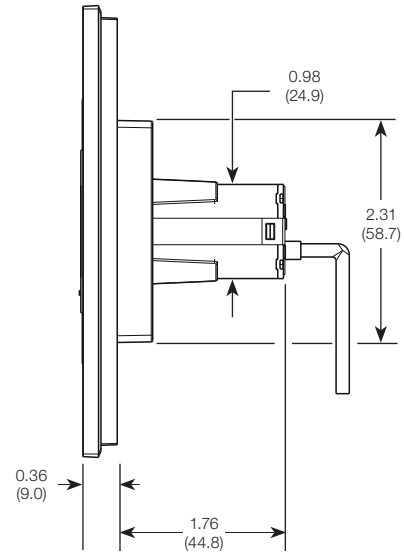
Measurements shown as: in (mm)

Palladiom Architectural Matte 2-Gang (NP shown below)*

Front View

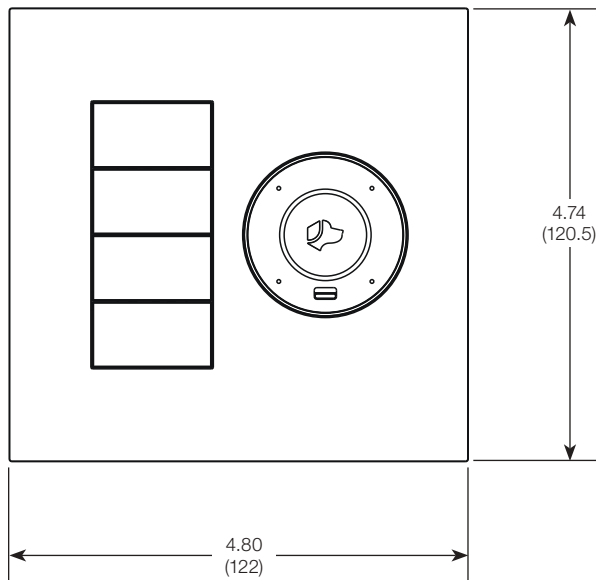


Side View

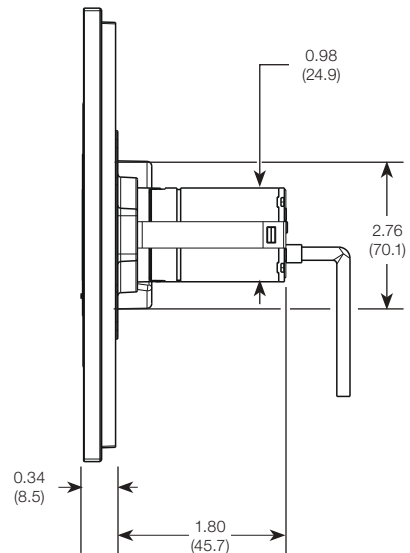


Palladiom Architectural Metal*

Front View



Side View



* All products are shown with Josh.ai Nano installed

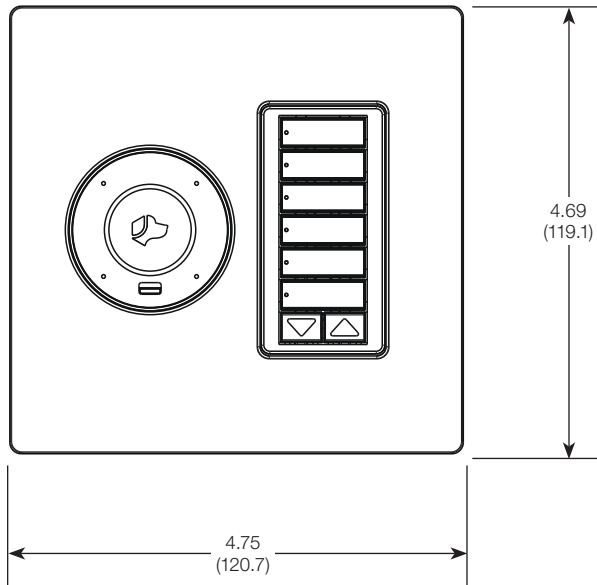
Josh.ai Ready Faceplates

Dimensions *(continued)*

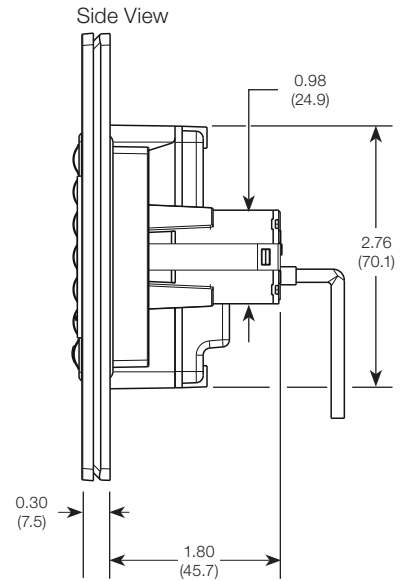
Measurements shown as: in (mm)

Claro 2-Gang*

Front View



Side View

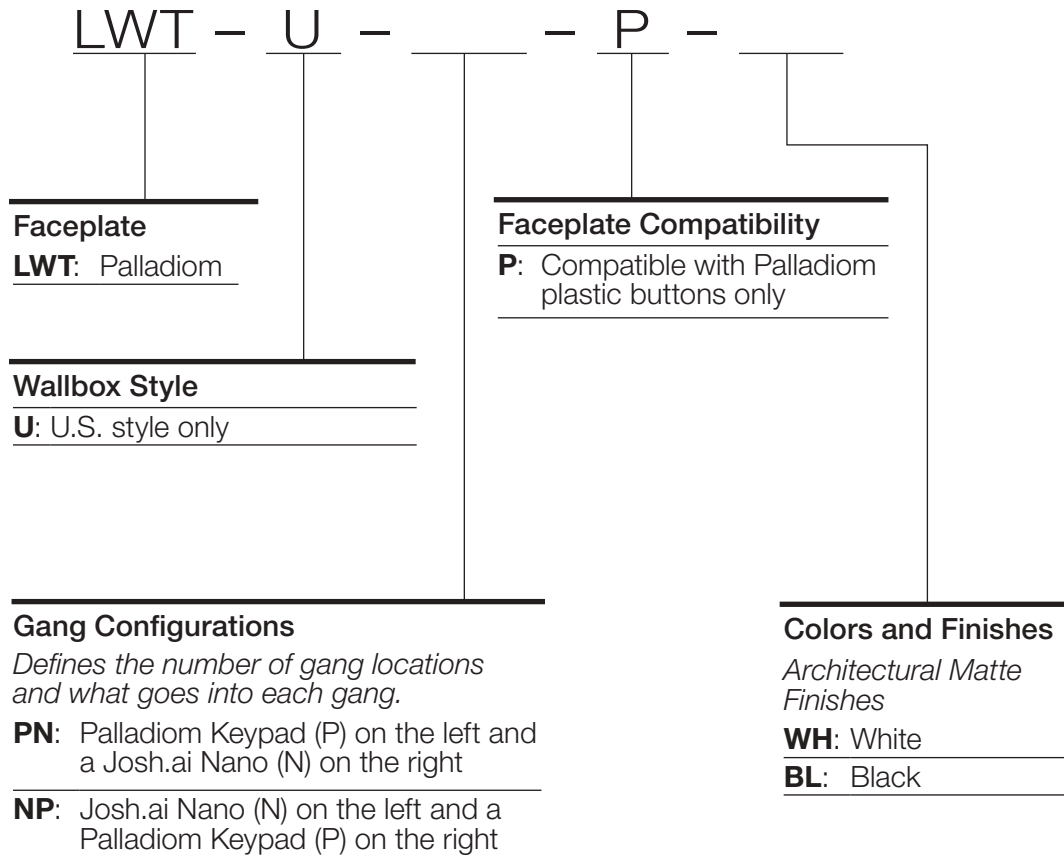


* All products are shown with Josh.ai Nano installed

Josh.ai Ready Faceplates

How to Build a Model Number

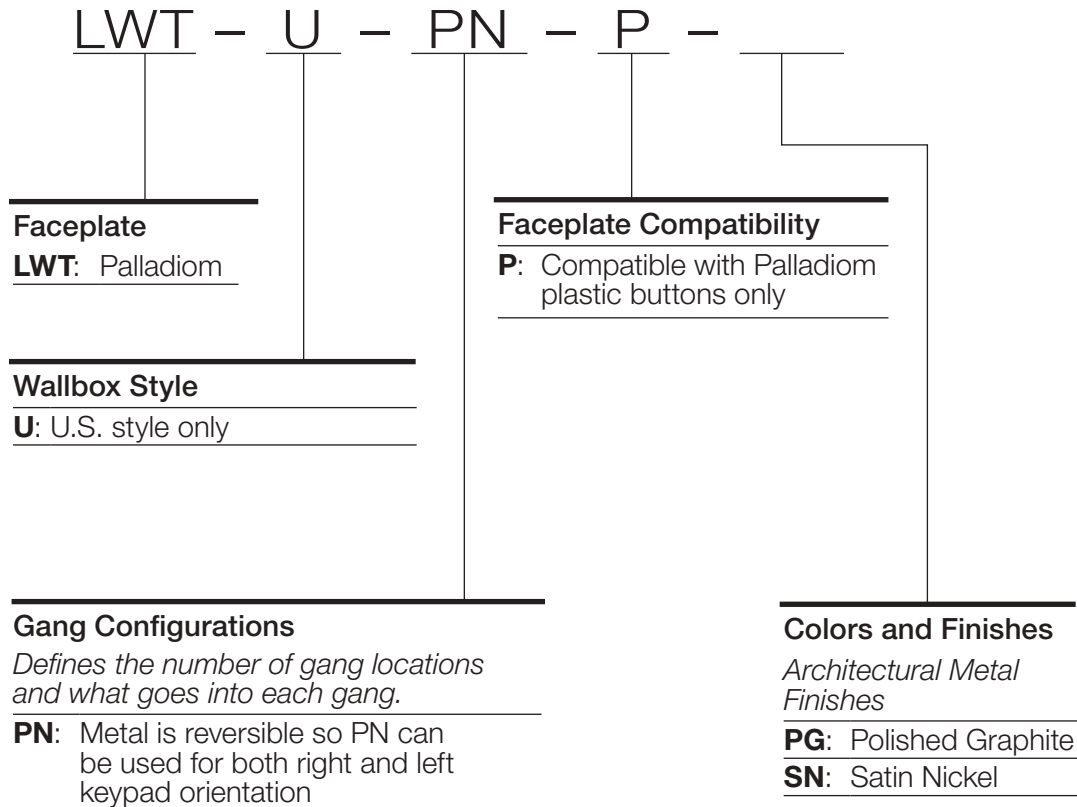
Palladiom Architectural Matte Faceplates



Josh.ai Ready Faceplates

How to Build a Model Number *(continued)*

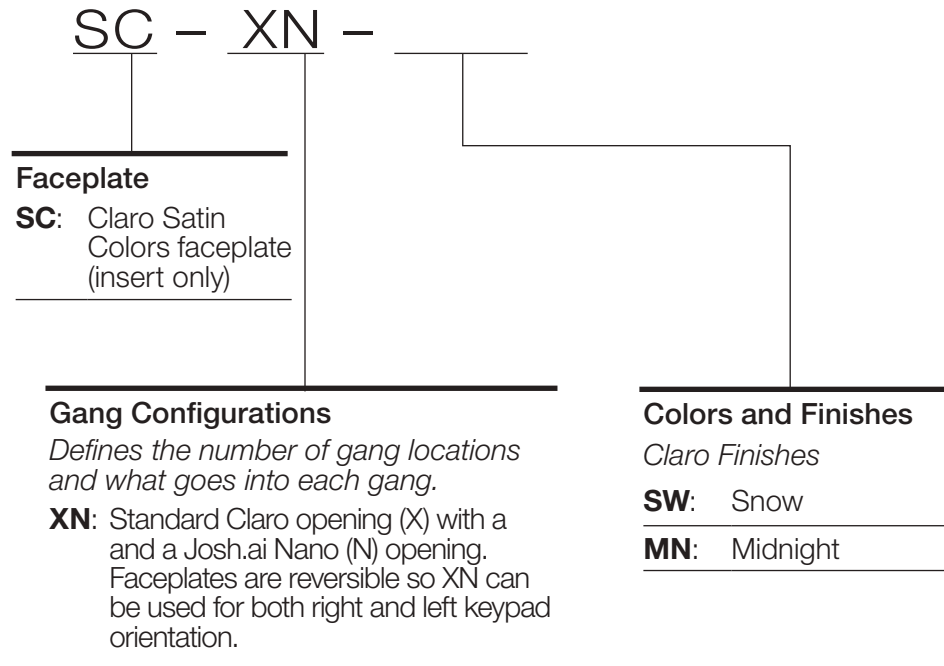
Palladiom Architectural Metal Faceplates



Josh.ai Ready Faceplates

How to Build a Model Number *(continued)*

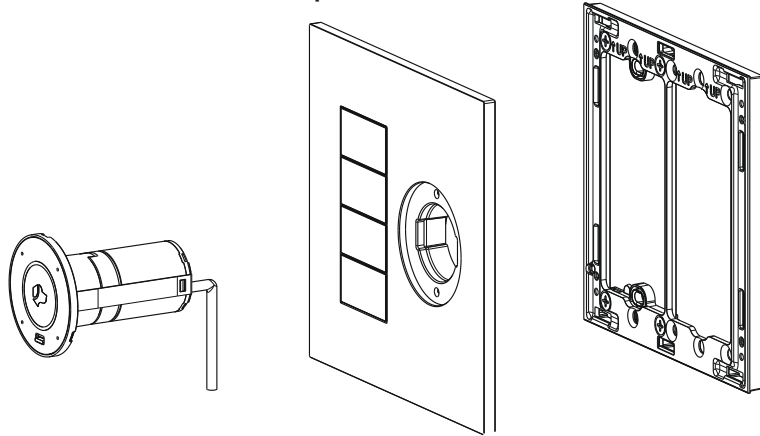
Claro Faceplates (compatible with low-voltage devices only)



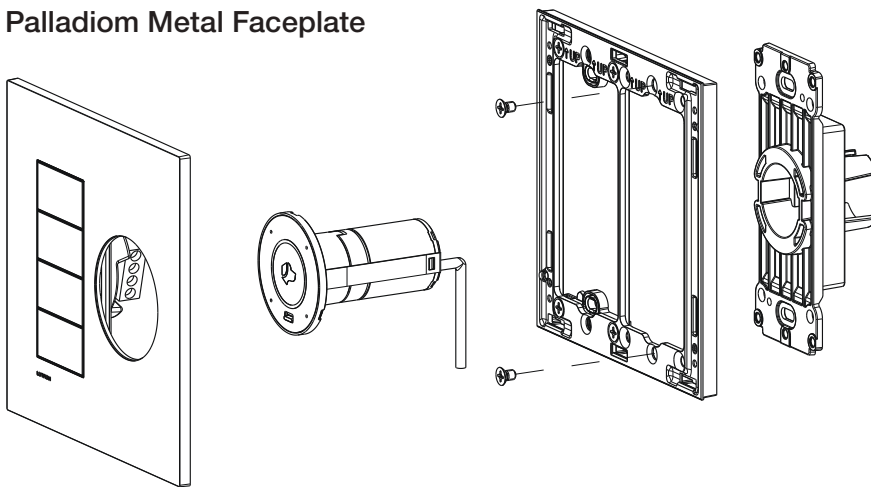
Josh.ai Ready Faceplates

Mounting

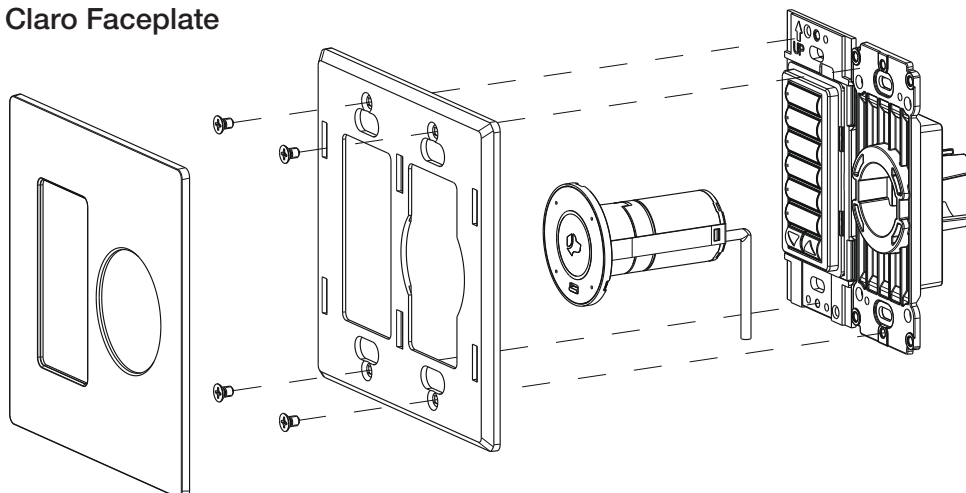
Palladiom Plastic Faceplate



Palladiom Metal Faceplate



Claro Faceplate



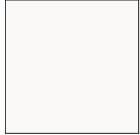
(continued on next page...)

Customer Assistance:
1.844.LUTRON1 (U.S.A./Canada)
+44.(0)20.7680.4481 (Europe)

Josh.ai Ready Faceplates

Colors and Finishes

Architectural Matte Finishes



White
WH



Black
BL

Architectural Metal Finishes



Satin Nickel
SN

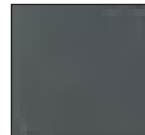


Polished Graphite
PG

Claro Finishes



Snow
SW



Midnight
MN

Lutron, Claro, Palladium, and Satin Colors are trademarks or registered trademarks of Lutron Electronics Co., Inc. in the US and/or other countries.

All other product names, logos, and brands are property of their respective owners.