



D3
Downlight Family

Why D3

Why D3

Powerful

Built from scratch and packed with dozens of patented innovations, Ketra's D3 family elevates the standard for premiere architectural downlights.

Why D3



Versatile

The D3 family offers fixed, adjustable, and wall wash downlights in a low profile housing, while field-adjustable optics allow you to shape light how you want it, where you want it.



Simple

Wireless control elevates D3 downlights to a new level of simplicity that maximizes design flexibility.

World Class Service & Support

The D3 was built to fit seamlessly within one system that combines Ketra light with Lutron shades and controls—all backed by Lutron's world-class commitment to product quality and customer service.

The Ketra Difference

The Ketra Difference

Lighting Technology, Reimagined

Ketra LED lighting is an innovation that delights, enhances, illuminates—and redefines the power of lighting. Built from the ground up and packed with dozens of patented technologies, each Ketra product is endlessly tunable, customizable, and beautiful.

A Palette That Inspires

Endless possibilities and unparalleled precision define Ketra's **High Def Palette**. Choose from a wide available spectrum of high CRI whites, saturated colors, and pastels with 16.7 million colors at your fingertips.



Vibrant, Dynamic, & Limitless

Ketra's **Dynamic Spectrum** allows you to tune the perfect light for every moment with endless possibility. Follow the natural rhythm of daylight, dim down to 0.1% and 1400K for warmth, or turn the dial on Vibrancy to completely transform artwork, making vivid colors pop.



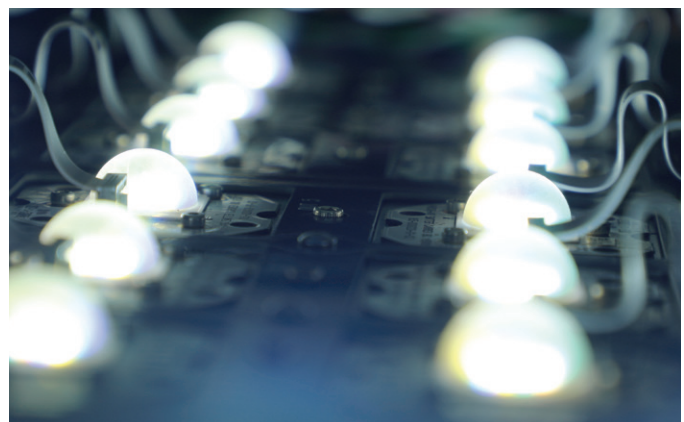
Superior Optics for Uniform Light

Place light precisely where you want it—and nowhere else. Ketra's **TruBeam** combines an emitter and other optics to produce the maximum range of beam spreads, while maintaining uniform color and intensity.

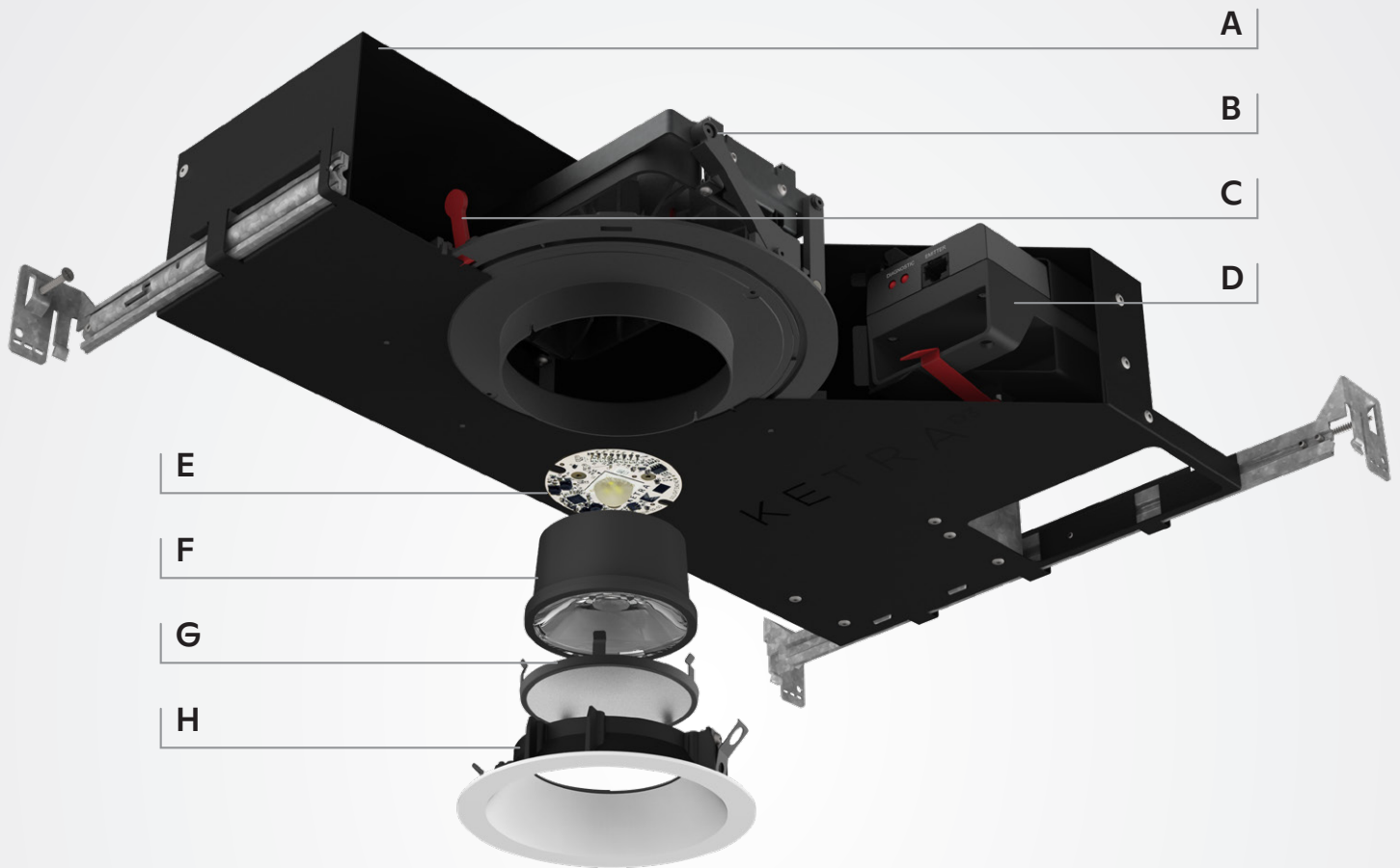


Precision Color for Life

With other LED solutions, colors can degrade over time—or mismatch if LEDs are sourced from multiple manufacturers. Ketra's unique **Color Lock** solution aligns color points across each individual light source, actively preserving accurate, beautiful hues for the life of the light.



Anatomy of a D3 Downlight



- A** Low profile (3.5"), insulation contact and airtight rated housing
- B** Toolless adjustments between high and low regress emitter depth positions
- C** Reliable, toolless aiming with easily adjustable friction set lever locks
- D** Field replaceable power supply with integrated wireless control
- E** Field serviceable emitter outputs over 1000 lumens
- F** Field changeable primary optics allow for beam angle optimization
- G** A selection of secondary lens attachments can be mounted at either the primary optic or at the trim
- H** Painted, die cast aluminum trims are held securely in place for a tight-to-the-ceiling finish

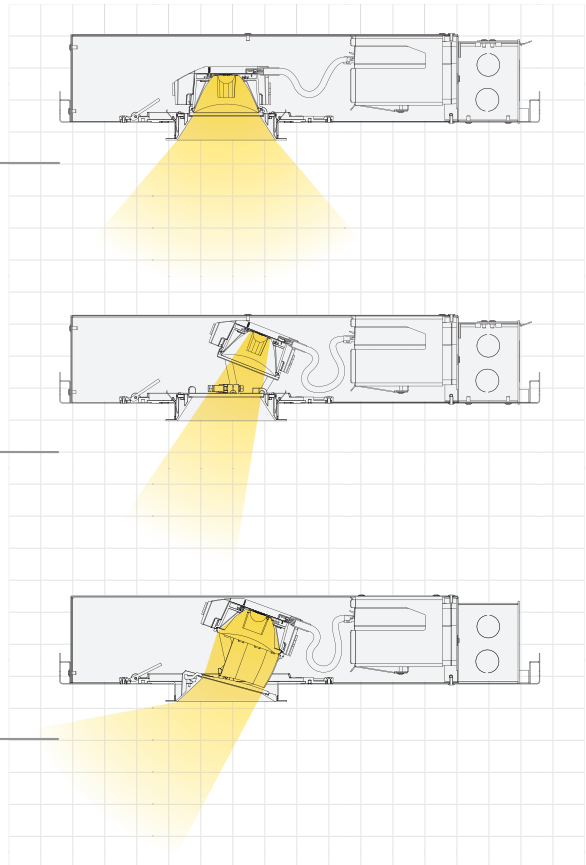
Fixture Options & Features

Fixture Type

Fixed Downlights provide general illumination.

Adjustable Downlights can be used to accent or highlight statement pieces within a room.

Wall Wash Downlights deliver an even distribution of light on nearby walls.



Note: All fixture types are field convertible.

Beam Shaping Optics

Swap beam angles in-field with the D3's interchangeable optics.

Add diffusion or reduce glare with a secondary lens attachment on the optic.

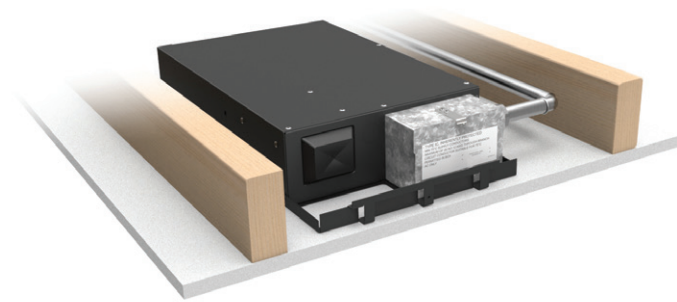
Refine the look of the room side appearance by adding a trim lens.



Compact & Versatile

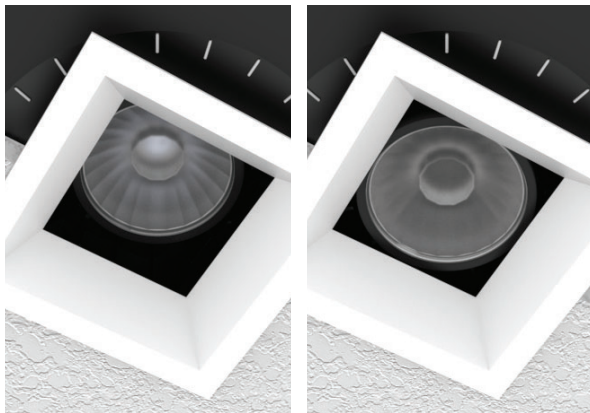
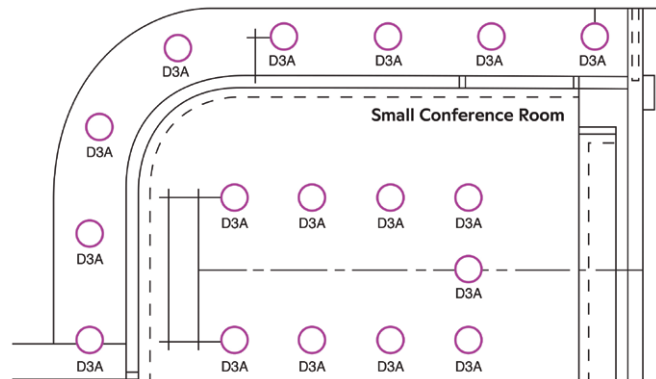
The D3 housing is compatible with a wide range of ceiling construction types and requirements, including:

- Joist spacings of 12" on center
- Fire-retardant drywall applications up to 1.5" thick
- Within the depth of a 2x4 Furring Strip for concrete slab ceilings



Wireless Flexibility

Integrated wireless control simplifies installations and supports future control schemes as floorplans and space needs evolve over time.

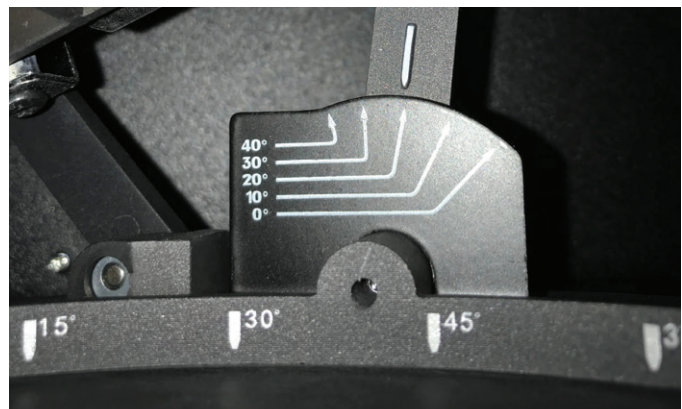


Adjustable Emitter Depth

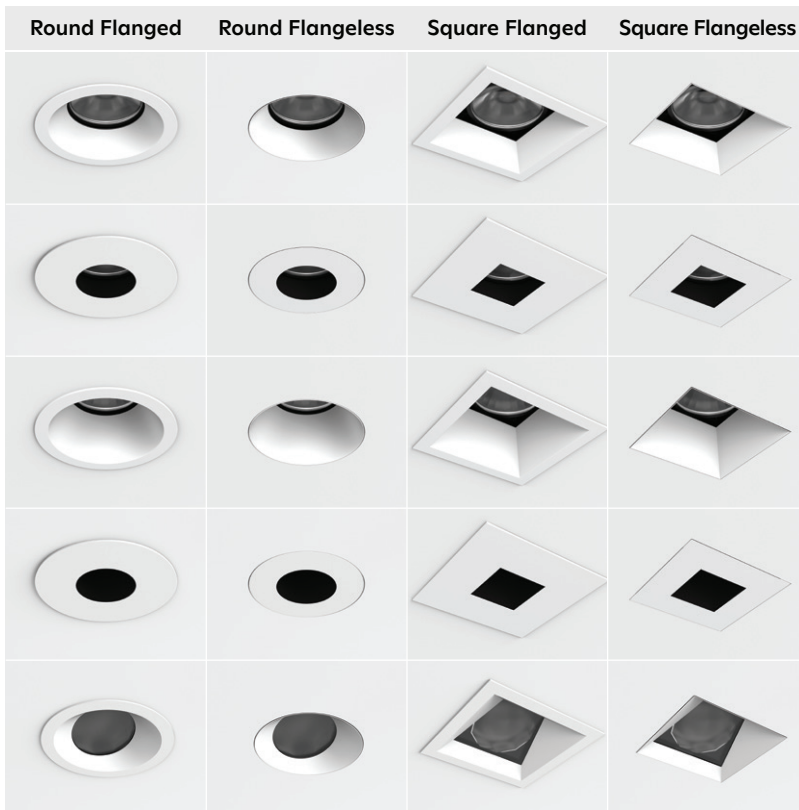
Position the emitter chassis at its deep regress to provide maximum glare reduction or at its low regress to maximize lumen output.

Precision Aiming

Use the integrated tilt and rotation markings to precisely aim and ensure that downlight arrays are aligned.



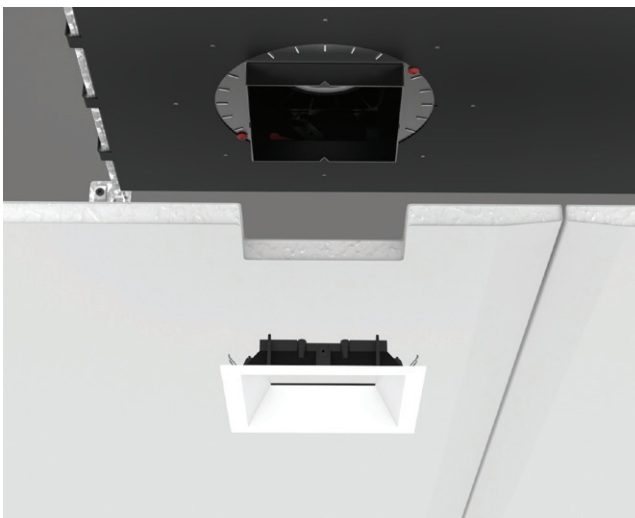
Trim Styles



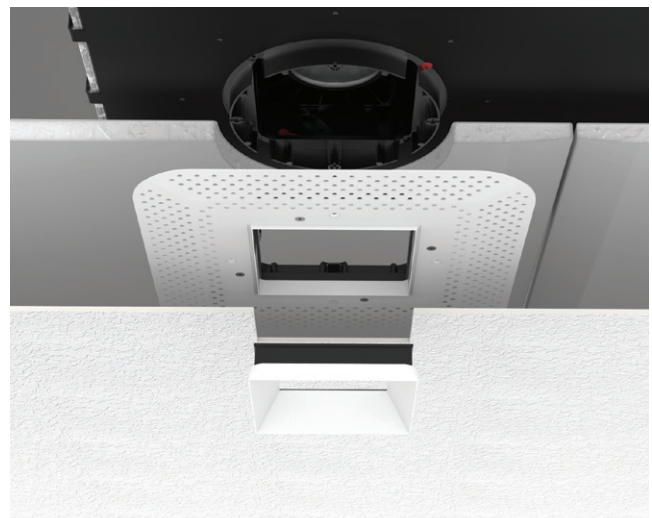
Select from a square or round aperture with flange or flangeless trim, available in white (paintable) and black. All bevel style trims share a 3.75" aperture at the ceiling plane. D3 fixtures are wet location rated when a trim lens is used.

Note: More trim options coming in 2020

Flanged vs. Flangeless (Mud-In)



Use the standard round or square flanged housing for typical gypsum, tile or wood ceiling applications.



Flangeless housings offer a more seamless look. A trim retainer is anchored to the gypsum and serves as a finished edge for joint compound to be applied and create a single continuous surface. A flangeless trim is used to close the aperture.



Learn more at ketra.com/D3

©2019 Lutron Ketra LLC | P/N 367-2858 Rev B

Ketra and the Ketra logo are trademarks of Lutron Ketra LLC.

Front Cover Photo:
Tamarindo Restaraunt
San Clemente, CA
Design: Stayner Architects
Photo: Liz Kuball

Page 2 Photo:
Private Residence
Austin, TX
Design: Jauregui Architects
Photo: Piston Design

Page 4 Photo:
Private Residence
Los Angeles, CA
Design: Hirschmann Studio
Photo: Hunter Kerhart

Page 5 Photo:
NYC Commercial Experience Center
New York, NY
Design: COOKFOX Architects
Photo: Eric Laignel

Back Cover Photos:
Private Residence
Austin, TX
Design: Jauregui Architects
Photo: Piston Design

Steinway Vault
New York, NY
Integration: Gilmore's Sound Advice
Photo: John Frattasi

Nike House of Innovation 000
New York, NY
Design: Tillotson Design Associates
Photo: Michael Wells