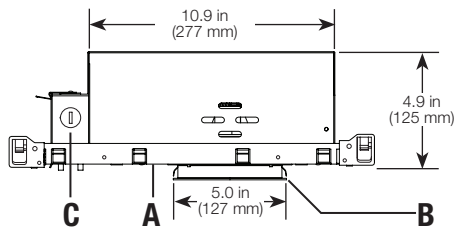


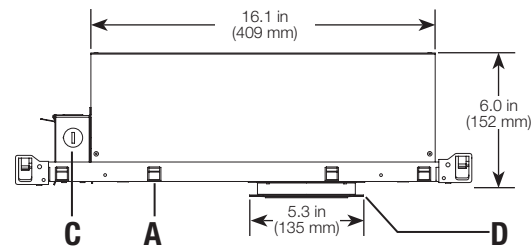


DIMENSIONS

SIDE VIEW (Non-IC Flanged)

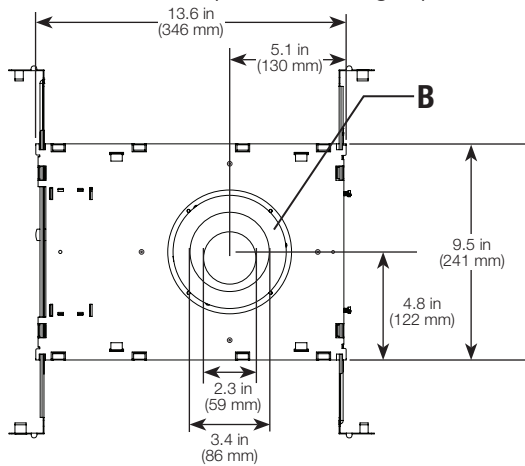


SIDE VIEW (IC Flangeless)

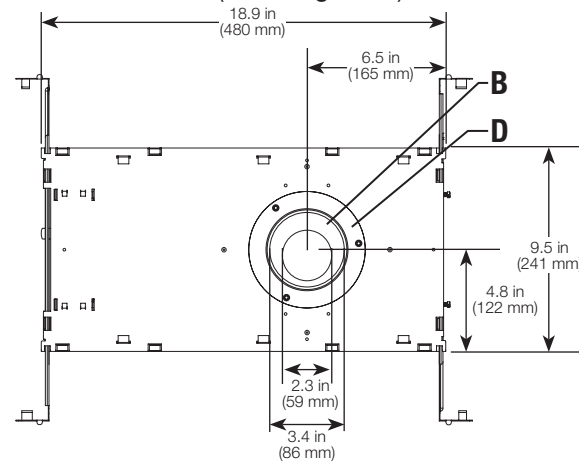


A Frame
B Trim
C Junction Box
D Mud-in Retainer¹
Lutron control not shown

BOTTOM VIEW (Non-IC Flanged)



BOTTOM VIEW (IC Flangeless)



PRINCIPAL FEATURES

- Xicato® LEDs: 97 CRI, R9=95 (typical).
- Up to 1100 lm (delivered) for IC and 1750 lm (delivered) for Non-IC fixtures.
- IC fixtures are rated for spray foam applications.²
- Fixture to fixture consistency, 1 x 2 step MacAdam Ellipse.
- Included Lutron LED controllers deliver continuous, flicker-free dimming from 100% down to 1% or 0.1% of measured light output.
- 50,000 hours rated LED system life (LED and driver).
- IC fixtures must be used for installations containing insulating materials. Non-IC fixtures cannot be used in this type of application.
- Adjustable fixtures have toolless, adjustable mechanism with locking features (0° to 40° tilt in 5° increments and 362° rotation).
- Infinite adjustable fixtures have adjustable mechanism with locking features (0° to 40° in any increment and 362° rotation) and comes with tool that allows for hot aiming.
- Housings finished with black powder coat.
- Frame constructed of 20 gauge steel.

- 15° narrow spot available. 30°, 40°, and 55° reflectors are field replaceable for standard and high-output fixtures.
- Variety of trim options including wood and stone flangeless.⁴
- Chicago plenum option available.
- Wet location trim option available for wet location and covered ceiling applications (e.g., showers, enclosed/covered porches)⁵.
- UL® and cUL® listed.
- Supplied with standard 14 in to 24 in (356 mm to 610 mm) adjustable bar hangers. Optional 9.5 in to 15 in (241 mm to 381 mm) bar hangers available.
- Field replaceable components (Controllers, Trim, and LED).
- IC fixtures meet airtight construction requirements for 2.0 CFM or less air leakage.
- 5 Year fixture, LED and dimming warranty
- Adjustable fixtures accommodate ceilings up to 40° slope (10/12 roof pitch).⁴

SPECIFICATIONS

- Operating Temperature:** 32 °F to 104 °F (0 °C to 40 °C)²
- Decibel Rating:** Quiet in a 25 dB room
- Max Ceiling Thickness:** 2.0 in (51 mm)
- Mud-in Retainer Thickness¹:** 0.068 in (1.7 mm)
- Ceiling Cutout:** ø 4.6 in (ø 117 mm)
- Fixture Weight:** 7.2 lb (3.3 kg) Non-IC, 8.9 lb (4.1 kg) IC.

Fixture Size:

- IC: 18.9 in x 9.5 in x 6.0 in (480 mm x 241 mm x 152 mm)
- Non-IC: 13.6 in x 9.5 in x 4.9 in (345 mm x 241 mm x 125 mm)

Junction Box Size: 5.6 in x 3.0 in x 1.6 in (143 mm x 76 mm x 41 mm). See NEC chart 314.16A for box fill/wiring capacity.

¹ Mud-in retainer is for flangeless fixtures only.
² Rated for direct application of spray foam with less than R-21 insulative value or 3 in (76.2 mm) of closed cell spray foam. 95 °F (35 °C) maximum operating temperature.
³ PWM dimming below 5% dim levels for 1% HomeWorks Digital Controllers (H1 Control Option).
⁴ For additional details please see Lutron Application Note #564 (P/N 048564) at www.lutron.com
⁵ Refer to **SPECIFICATIONS** and fixture installation guide for allowable product operating conditions.

LUTRON SPECIFICATION SUBMITTAL

Type

Job Name:	Models and Type:
Job Number:	



ORDERING GUIDES

BASE UNIT CONFIGURATION

Select appropriate code in each column to complete model number.

Example:

FAT3RI XX 35 40 F1 XX XX - RTA00 MW SO XX

SERIES	LED Type	TEMP	BEAM	CONTROL	HANGING	CEILING	TRIM	FINISH	LENS	OPTIONS
FAT3RI Finire 3 in Flanged IC Round Adjustable	XX Standard 17 W, 850 lm, 97 CRI ¹	27 2700 K	15 15° beam spread (NS LED Type only) ³	F1 2-Wire 120 V~	XX Standard Joist Hangers 14 in to 24 in (356 mm to 610 mm)	XX Standard 1/2 in to 5/8 in (13 mm to 16 mm)	RTA00 Round Flanged Adjustable	MW Matte White	XX None	XX None
FAT3RN Finire 3 in Flanged Non-IC Round Adjustable	NS Narrow Spot 17 W, 650 lm, 97 CRI ¹ (15° beam only) ¹	30 3000 K	30 30° beam spread ³	HO 0.1% HomeWorks Digital 120 V~ ⁴	NJ Narrow Joist Hangers 9.5 in to 15 in (241 mm to 381 mm)	TT Flangeless Thick Ceiling >5/8 in to <2 in (>16 mm to <51 mm) ⁶	RZA00 Round Flangeless Adjustable	BL Matte Black	FG Frosted Glass ¹⁴	TC Thick Ceiling (Contact Factory) ¹⁶
FAZ3RI Finire 3 in Flangeless IC Round Adjustable	HO High Output 17 W, 1100 lm, 97 CRI ¹	35 3500 K	40 40° beam spread ³	H1 1% HomeWorks Digital 120 V~ ⁵		TW Flangeless Wood/Stone Ceiling (Contact Factory) ^{7,8}	RTD00 Round Flanged Downlight ¹⁰	SI ¹² Silver	SO Solite™ Glass ¹⁴	
FAZ3RN Finire 3 in Flangeless Non-IC Round Adjustable	HP High Plus 29 W, 1750 lm, 97 CRI ²		55 55° beam spread ³			PL Plenum Rated ⁹	RZD00 Round Flangeless Downlight ¹⁰	RB ¹² Bronze	WW Wall Wash ^{14,15}	
FIT3RI Finire 3 in Flanged IC Round Infinite Adjustable							RTS00 Round Pinhole (Slotted) Adjustable ¹¹	CA ¹³ Clear Anodized/White		
FIT3RN Finire 3 in Flanged Non-IC Round Infinite Adjustable							RZS00 Round Flangeless Pinhole (Slotted) Adjustable ¹¹	CC ¹³ Clear Chrome/White		
FIZ3RI Finire 3 in Flangeless IC Round Infinite Adjustable								SW ^{12,13} Silver/White		
FIZ3RN Finire 3 in Flangeless Non-IC Round Infinite Adjustable								BC ^{12,13} Black Chrome/White		

¹ All wattage, lumen, and CRI values are typical values, tested with Matte White trims. For exact values reference the photometric data on page 3 or contact Fixture Customer Service.
² Available in Non-IC fixture type only.
³ For field replacement details, contact Lutron customer service.
⁴ Compatible with XX, NS, and HO LED Types.
⁵ Compatible only with HP LED Type.
⁶ For ceiling thicknesses greater than 5/8 in (16 mm) but less than 2 in (51 mm). Exact ceiling thickness must be specified during order entry.
⁷ For wood/stone flangeless options, use flangeless housing and standard flangeless trim. For additional details please see Lutron Application Note #564 (P/N 048564) at www.lutron.com
⁸ Custom options available for wood/stone ceilings greater than 1.5 in (38 mm).
⁹ See IC dimensions for plenum rated fixtures.
¹⁰ Downlight trim can be used with adjustable fixtures. Tilt is limited to 20°.
¹¹ Solite™ lens recommended for slotted pinhole trim.
¹² Painted finish.
¹³ Clear Chrome, Silver/White, Clear Anodized, and Black Chrome trims come with a Matte White flange standard for flanged options.
¹⁴ All Frosted, Solite™, and Wall Wash lens options are wet location rated.
¹⁵ Only for use with adjustable trims. Recommended with 40° beam spread at 40° tilt angle.
¹⁶ For ceiling thickness greater than 5/8 in (16 mm) but less than 2 in (51 mm). For additional details please see Lutron Application Note #564 (P/N 048564) at www.lutron.com

NOTES:

Housing and trim assemblies can be purchased or shipped separately.

Additional options available:

- Trim flange color combinations
- Flangeless wood/stone > 1.5 in (38 mm) thick
- Ceiling > 2 in (51mm) thick
- 4000 K CCT
- Custom options

For more information please contact Lighting Technical Support at lightingsupport@lutron.com or 1.844.LUTRON1 (1.844.588.7661)

For Title 24 compliant model numbers or for more information, please contact Lighting Technical Support at lightingsupport@lutron.com or 1.844.LUTRON1 (1.844.588.7661)



PHOTOMETRIC DATA - DOWNLIGHT

97 CRI / R9 = 95									
LED TYPE	Narrow Spot			Standard			High Output		
BEAM ANGLE	15°			40°			55°		
MODEL NUMBER	FDT3RNNS3015HOXXXX-RTDOOMWXXXX			FDT3RNXX2740F1XXXX-RTDOOMWXXXX ¹			FDT3RNHO3555HOXXXX-RTDOOMWXXXX		
LIGHT OUTPUT (lm)	638			964			1220		
WATTAGE (W)	14.92			16.33			15.66		
EFFICACY (lm/W)	42.8			59.0			77.9		
COLOR ACCURACY CRI	97.1			97.4			96.7		
COLOR TEMPERATURE	3000 K			2700 K			3500 K		
CANDELA PLOT ¹ (NADIR)									
MULTIPLE UNITS	CONE OF LUMINANCE ¹			CONE OF LUMINANCE			CONE OF LUMINANCE ¹		
H = DISTANCE FROM CEILING	Height (ft)	Nadir (fc)	50% Lighted Diameter (ft)	Height (ft)	Nadir (fc)	50% Lighted Diameter (ft)	Height (ft)	Nadir (fc)	50% Lighted Diameter (ft)
4 ft (1.22 m)	4	275	1.08	4	118	2.83	4	91.1	3.26
6 ft (1.83 m)	6	122	1.61	6	52.3	4.25	6	40.5	4.90
8 ft (2.44 m)	8	68.7	2.15	8	29.4	5.67	8	22.8	6.53
10 ft (3.05 m)	10	44.0	2.69	10	18.8	7.08	10	14.6	8.16
12 ft (3.66 m)	12	30.5	3.23	12	13.1	8.50	12	10.1	9.79
14 ft (4.27 m)	14	22.4	3.76	14	9.61	9.92	14	7.43	11.4
16 ft (4.88 m)	16	17.2	4.30	16	7.36	11.3	16	5.69	13.1

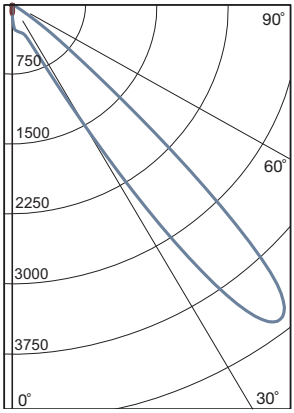
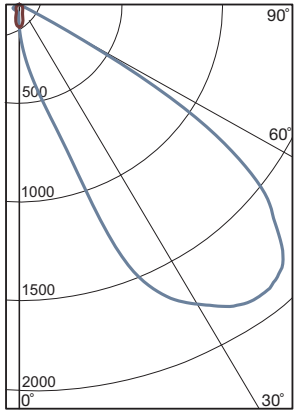
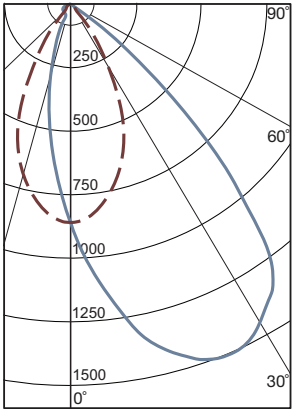
TRIM / LENS OPTION EFFICIENCY				
No Lens	Solite™ Lens	Frosted Lens	Wall Wash Lens ²	Pinhole Trim
100%	96%	87%	62%	75%

¹ The photometric data was taken with HomeWorks (HO) fixtures. Updated Candela Plot (NADIR) and Cone of Luminance files (.IES) will be available May 2022 for HomeWorks Digital (HO) Fixtures. The Candela Plot and Cone of Luminance data was taken with EcoSystem (EU) fixtures and is for reference until this time.

² Wall Wash standard with frosted lens.

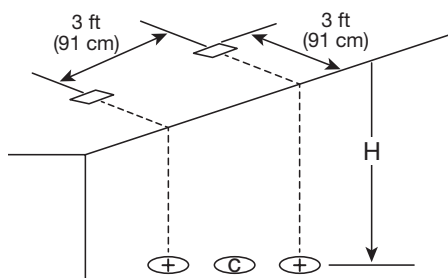


PHOTOMETRIC DATA - ADJUSTABLE

		97 CRI / R9 = 95								
LED TYPE		Narrow Spot			Standard			High Output		
BEAM ANGLE		15°			40°			55°		
MODEL NUMBER		FAT3RNN3015EUXXX-RTA00MWXXX ¹			FAT3RNXX2740F1XXX-RTA00MWXXX ¹			FAT3RNHO3555EUXXX-RTA00MWXXX ¹		
LIGHT OUTPUT (lm)		584			879.8			1022		
WATTAGE (W)		15.82			16.32			17.33		
EFFICACY (lm/W)		36.9			53.9			59.0		
COLOR ACCURACY CRI		96.5			97.4			97.0		
COLOR TEMPERATURE		3000 K			2700 K			3500 K		
CANDELA PLOT (NADIR)										
MULTIPLE UNITS		FOOTCANDLES (fc) ON WALL (FIGURE A)								
H = DISTANCE FROM CEILING		+	C	+	+	C	+	+	C	+
1 ft (0.31 m)		1	1	1	1	1	1	1	1	1
2 ft (0.61 m)		5	3	5	22	9	21	2	2	2
3 ft (0.91 m)		49	17	48	67	48	66	15	10	14
4 ft (1.22 m)		86	30	83	57	63	56	30	30	29
5 ft (1.52 m)		47	21	46	38	45	39	30	34	30
6 ft (1.83 m)		14	11	15	25	29	25	23	27	24
8 ft (2.44 m)		4	4	4	10	11	10	13	15	13
10 ft (3.05 m)		2	2	2	4	4	4	8	8	8
12 ft (3.66 m)		1	1	1	2	2	2	5	5	5
14 ft (4.27 m)		1	1	1	1	1	1	4	4	4

Note: All adjustable luminaires were tested at the maximum 40° tilt angle.

FIGURE A - MULTIPLE UNITS DIAGRAM

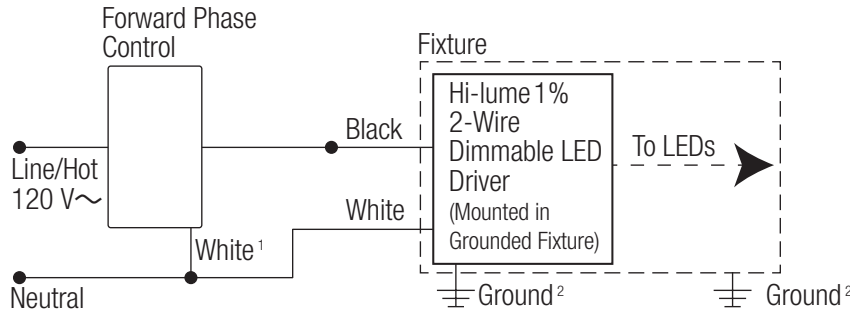


¹ The photometric data was taken with HomeWorks (HO) fixtures. Updated Candela Plot (NADIR) and Cone of Luminance files (.IES) will be available May 2022 for HomeWorks Digital (HO) Fixtures. The Candela Plot and Cone of Luminance data was taken with EcoSystem (EU) fixtures and is for reference until this time.

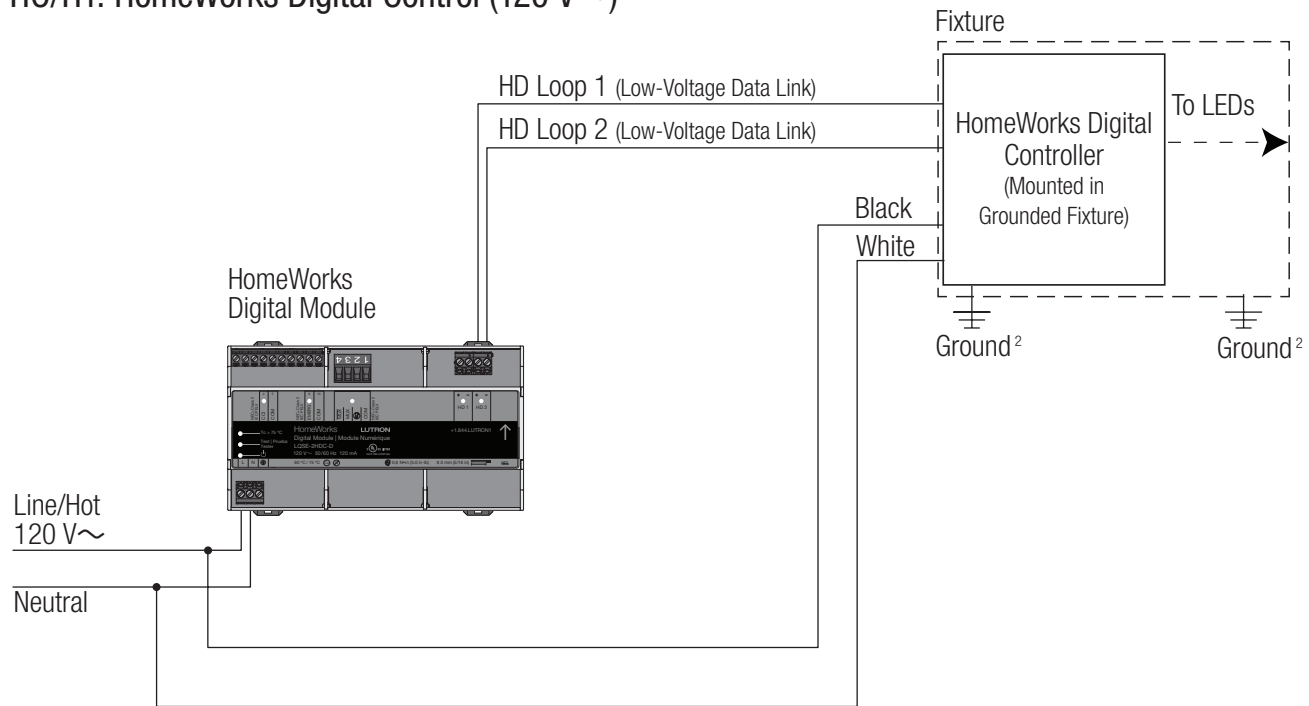


CIRCUIT DIAGRAMS

F1: 2-Wire Forward Phase Control with Neutral (120 V~ ONLY)



HO/H1: HomeWorks Digital Control (120 V~)



¹ Neutral may be optional for certain control types. See product specification submittal for specific wiring diagrams.

² Ensure that both ground wires are connected in the junction box.

- For custom options please contact Lighting Technical Support at lightingsupport@lutron.com or 1.844.LUTRON1 (1.844.588.7661)
- For a list of compatible controls and control ratings, visit www.lutron.com/finire or contact the LED Control Center of Excellence at 1.844.LUTRON1 (1.844.588.7661)



The Lutron logo, Lutron, EcoSystem, HomeWorks, Finiré, Hi-lume, IVALO, IVALO Lighting, and Lutron Ivalo Collection are trademarks or registered trademarks of Lutron Electronics Co., Inc. in the US and/or other countries.

All other product names, logos, and brands are property of their respective owners.

©2015-2022 Lutron Electronics Co., Inc.

Lutron Electronics Co., Inc.
7200 Suter Road, Coopersburg, PA 18036
Telephone 610.282.3800
www.lutron.com

For limited 5-year warranty details, go to www.lutron.com

Specification subject to change without notice