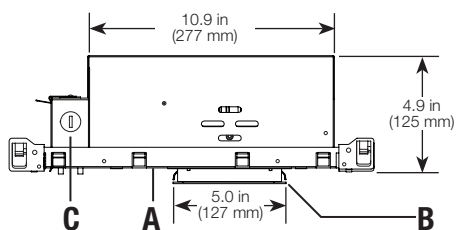
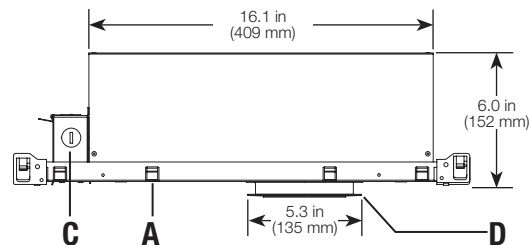


DIMENSIONS

SIDE VIEW (Non-IC Flanged)

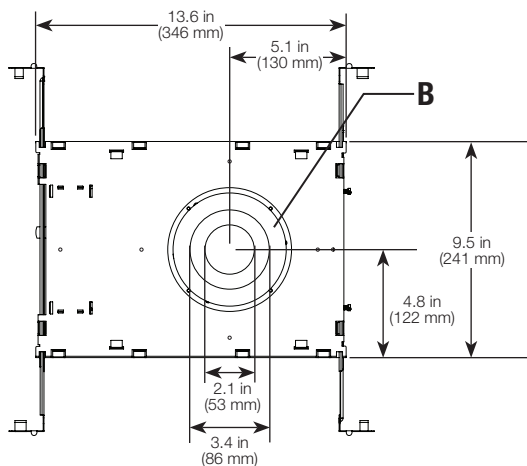


SIDE VIEW (IC Flangeless)

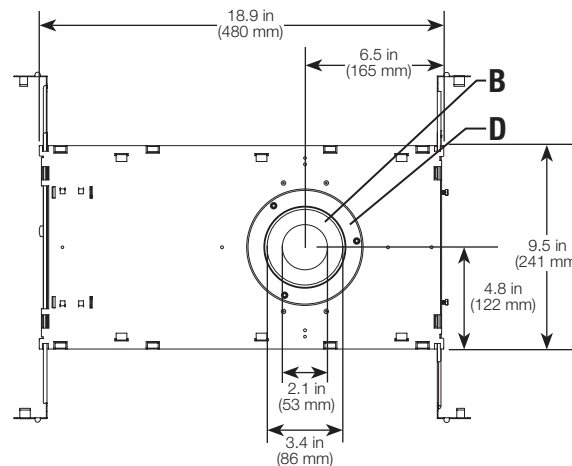


A Frame
B Trim
C Junction Box
D Mud-in Retainer¹
Lutron control not shown

BOTTOM VIEW (Non-IC Flanged)



BOTTOM VIEW (IC Flangeless)



PRINCIPAL FEATURES

- Bridgelux® LEDs: 95 CRI, R9=89 (typical).
- 850 lm typical (delivered) for IC and 1600 lm typical (delivered) for Non-IC fixtures.
- Replicates halogen/incandescent dimming performance with 3000 – 1800 K and 2700 – 1800 K dimming CCT ranges.
- IC fixtures are rated for spray foam applications.²
- 2 step MacAdam Ellipse.
- Included Lutron LED controllers deliver continuous, flicker-free dimming from 100% down to 1% or 0.1% of measured light output.
- 50,000 hours rated LED system life (LED and controllers).
- IC fixtures must be used for installations containing insulating materials. Non-IC fixtures cannot be used in this type of application.
- Housings finished with black powder coat.
- Frame constructed of 20 gauge steel.
- 30°, 40°, and 55° reflectors are field replaceable for standard and high-output fixtures.
- Variety of trim options including wood and stone flangeless.⁴
- Chicago plenum option available.
- Wet location trim option available for wet location and covered ceiling applications. (e.g. showers, enclosed/covered porches)⁵.
- UL® and cUL® listed.
- Supplied with standard 14 in to 24 in (356 mm to 610 mm) adjustable bar hangers. Optional 9.5 in to 15 in (241 mm to 381 mm) bar hangers available.
- Field replaceable components (Controllers, Trim, and LED)
- IC fixtures meets airtight construction requirements for 2.0 CFM or less air leakage.
- 5 Year fixture, LED and dimming warranty.

SPECIFICATIONS

Operating Temperature: 32 °F to 104 °F (0 °C to 40 °C)²
Decibel Rating: Quiet in a 25 dB room
Max Ceiling Thickness: 2.0 in (51 mm)
Mud-in Retainer Thickness¹: 0.068 in (1.7 mm)
Ceiling Cutout: ø 4.6 in (ø 117 mm)
Fixture Weight: 7.2 lb (3.3 kg) Non-IC, 8.9 lb (4.1 kg) IC.

Fixture Size:

- IC: 18.9 in x 9.5 in x 6.0 in (480 mm x 241 mm x 152 mm)
- Non-IC: 13.6 in x 9.5 in x 4.9 in (345 mm x 241 mm x 125 mm)

Junction Box Size: 5.6 in x 3.0 in x 1.6 in (143 mm x 76 mm x 41 mm). See NEC® chart 314.16A for box fill/wiring capacity.

¹ Mud-in retainer is for flangeless fixtures only.
² Rated for direct application of spray foam with less than R-21 insulative value or 3 in (76.2 mm) of closed cell spray foam. 95 °F (35 °C) maximum operating temperature.
³ PWM dimming below 5% dim levels for 1% HomeWorks Digital Controllers (H1 Control Option).
⁴ For additional details please see Lutron Application Note #564 (P/N 048564) at www.lutron.com
⁵ Refer to **SPECIFICATIONS** and fixture installation guide for allowable product operating conditions.



SPECIFICATION SUBMITTAL

Type

Job Name:	Models and Type:
Job Number:	



ORDERING GUIDES

BASE UNIT CONFIGURATION (LED DRIVER INCLUDED)

Select appropriate code in each column to complete model number.

Example:

FDT3RI WX 30 40 F1 XX XX - RTD00 MW SO XX

SERIES	LED Type	TEMP	BEAM	CONTROL	HANGING	CEILING	TRIM	FINISH	LENS	OPTIONS
FDT3RI Finire 3 in Flanged IC Round Downlight	WX Standard 17 W, 850 lm, 95 CRI ¹	27 2700 K - 1800 K	30 30° beam spread ³	F1 2-Wire 120 V~	XX Standard Joist Hangers 14 in to 24 in (356 mm to 610 mm)	XX Standard 1/2 in to 5/8 in (13 mm to 16 mm)	RTD00 Round Flanged Downlight	MW Matte White	XX None	XX None
FDT3RN Finire 3 in Flanged Non-IC Round Downlight	WH High Plus 29 W, 1600 lm, 95 CRI ^{1,2}	30 3000 K - 1800 K	40 40° beam spread ³	H0 0.1% HomeWorks Digital 120 V~ ⁴	NJ Narrow Joist Hangers 9.5 in to 15 in (241 mm to 381 mm)	TT Flangeless Thick Ceiling >5/8 in to <2 in (>16 mm to <51 mm) ⁶	RZD00 Round Flangeless Downlight	BL Matte Black	FG Frosted Glass ¹⁴	TC Thick Ceiling (Contact Factory) ¹⁵
FDZ3RI Finire 3 in Flangeless IC Round Downlight			55 55° beam spread ³	H1 1% HomeWorks Digital 120 V~ ⁵		TW Flangeless Wood/Stone Ceiling (Contact Factory) ^{7,8}	RTP00 Round Pinhole Downlight ^{10,11}	SI Silver ¹²	SO Solite™ Glass ¹⁴	
FDZ3RN Finire 3 in Flangeless Non-IC Round Downlight						PL Plenum Rated ⁹	RZP00 Round Flangeless Pinhole Downlight ^{10,11}	RB Bronze ¹²		

- ¹ All wattage, lumen, and CRI values are typical values, tested with Matte White trims. For exact values reference the photometric data on page 3 or contact Fixture Customer Service.
- ² Available in Non-IC fixture type only.
- ³ For field replacement details, contact Lutron customer service.
- ⁴ Compatible only with WX LED Type.
- ⁵ Compatible only with WH LED Type.
- ⁶ For ceiling thicknesses greater than 5/8 in (16 mm) but less than 2 in (51 mm). Exact ceiling thickness must be specified during order entry.
- ⁷ For wood/stone flangeless options, use flangeless housing and standard flangeless trim. For additional details please see Lutron Application Note #564 (P/N 048564) at www.lutron.com
- ⁸ Custom options available for wood/stone ceilings greater than 1.5 in (38 mm).
- ⁹ See IC dimensions for plenum rated fixtures.
- ¹⁰ Pinhole trims come in Matte White, Matte Black, Silver, or Bronze with Black inside baffle.
- ¹¹ Solite™ lens recommended for pinhole trim.
- ¹² Painted finish.
- ¹³ Clear Chrome, Silver/White, and Clear Anodized trims come with a Matte White flange standard for flanged options.
- ¹⁴ All Frosted and Solite™ lens options are wet location rated.
- ¹⁵ For ceiling thickness greater than 5/8 in (16 mm) but less than 2 in (51 mm). For additional details please see Lutron Application Note #564 (P/N 048564) at www.lutron.com

NOTES:

Housing and trim assemblies can be purchased or shipped separately.

Additional options available:

- Trim flange color combinations
- Flangeless wood/stone greater than 1.5 in (38 mm) thick
- Ceiling greater than 2 in (51 mm) thick
- Custom options

For more information please contact Lighting Technical Support at lightingsupport@lutron.com or 1.844.LUTRON1 (1.844.588.7661)

Fixtures with matte white trim and no lens meet Title 24 requirements. For more information, please contact Lighting Technical Support at lightingsupport@lutron.com or 1.844.LUTRON1 (1.844.588.7661)



PHOTOMETRIC DATA - DOWNLIGHT

		95 CRI / R9 = 85					
LED TYPE	Standard		Standard		Standard		
BEAM ANGLE	30°		40°		55°		
MODEL NUMBER	FDT3RNWX3030EUXXXX-RTD00MWXXXX ¹		FDT3RNWX3040EUXXXX-RTD00MWXXXX ¹		FDT3RNWX3055EUXXXX-RTD00MWXXXX ¹		
LIGHT OUTPUT (lm)	907		950		844		
WATTAGE (W)	15.85		15.89		15.88		
EFFICACY (lm/W)	57.2		59.8		53.1		
COLOR ACCURACY CRI	97.4		97.5		97.4		
COLOR TEMPERATURE	3000 K		3000 K		3000 K		
CANDELA PLOT (NADIR)							
MULTIPLE UNITS	CONE OF LUMINANCE		CONE OF LUMINANCE		CONE OF LUMINANCE		
H = DISTANCE FROM CEILING	Nadir (fc)	50% Lighted Diameter (ft)	Nadir (fc)	50% Lighted Diameter (ft)	Nadir (fc)	50% Lighted Diameter (ft)	
4 ft (1.22 m)	138	1.91	93.3	2.62	66.1	3.20	
6 ft (1.83 m)	61.2	2.86	41.5	3.93	29.4	0.80	
8 ft (2.44 m)	34.4	3.82	23.3	5.24	16.5	6.40	
10 ft (3.05 m)	22.0	4.77	14.9	6.56	10.6	8.00	
12 ft (3.66 m)	15.3	5.73	10.4	7.87	7.34	9.60	
14 ft (4.27 m)	11.2	6.68	7.62	9.18	5.40	11.2	
16 ft (4.88 m)	8.61	7.64	5.83	10.5	4.13	12.8	

TRIM / LENS OPTION EFFICIENCY				
No Lens	Solite™ Lens	Frosted Lens	Wall Wash Lens ²	Pinhole Trim
100%	96%	87%	62%	75%

¹ The photometric data was taken with with EcoSystem (EU) fixtures. Updated Photometric data, Candela Plot (NADIR) and Cone of Luminance files (.IES) will be available May 2022 for HomeWorks Digital (HO) Fixtures. The Photometric data, Candela Plot and Cone of Luminance data was taken with EcoSystem (EU) fixtures, and is for reference until this time.

² Wall Wash standard with frosted lens.



PHOTOMETRIC DATA - DOWNLIGHT

		95 CRI / R9 = 85				
LED TYPE	High Plus		High Plus		High Plus	
BEAM ANGLE	30°		40°		55°	
MODEL NUMBER	FDT3RNVH3030EUXXX-RTD00MWXXX ¹		FDT3RNVH3040EUXXX-RTD00MWXXX ¹		FDT3RNVH3055EUXXX-RTD00MWXXX ¹	
LIGHT OUTPUT (lm)	1642		1627		1611	
WATTAGE (W)	27.26		27.36		27.35	
EFFICACY (lm/W)	60.2		59.6		59.1	
COLOR ACCURACY CRI	97.4		97.3		97.3	
COLOR TEMPERATURE	3000 K		3000 K		3000 K	
CANDELA PLOT (NADIR)						
MULTIPLE UNITS	CONE OF LUMINANCE		CONE OF LUMINANCE		CONE OF LUMINANCE	
H = DISTANCE FROM CEILING	Nadir (fc)	50% Lighted Diameter (ft)	Nadir (fc)	50% Lighted Diameter (ft)	Nadir (fc)	50% Lighted Diameter (ft)
4 ft (1.22 m)	203	2.17	156	2.60	122	3.19
6 ft (1.83 m)	90.3	3.26	69.5	3.91	54.2	4.79
8 ft (2.44 m)	50.8	4.34	39.1	5.21	30.5	6.38
10 ft (3.05 m)	32.5	5.43	25.0	6.51	19.5	7.98
12 ft (3.66 m)	22.6	6.52	17.4	7.81	13.6	9.57
14 ft (4.27 m)	16.6	7.60	12.8	9.12	9.96	11.2
16 ft (4.88 m)	12.7	8.69	9.77	10.4	7.63	12.8

TRIM / LENS OPTION EFFICIENCY				
No Lens	Solite™ Lens	Frosted Lens	Wall Wash Lens ²	Pinhole Trim
100%	96%	87%	62%	75%

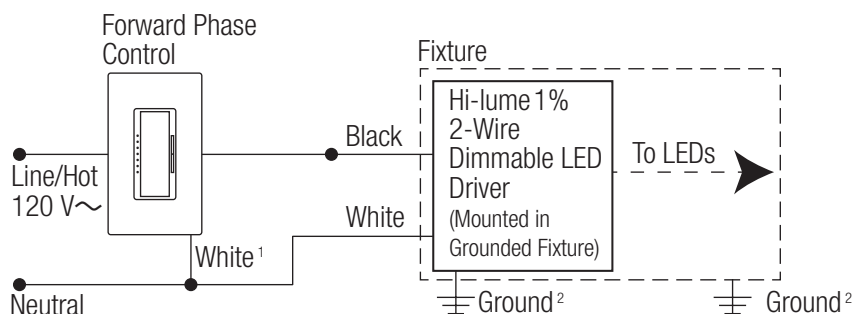
¹ The photometric data was taken with with EcoSystem (EU) fixtures. Updated Photometric data, Candela Plot (NADIR) and Cone of Luminance files (.IES) will be available May 2022 for HomeWorks Digital (HO) Fixtures. The Photometric data, Candela Plot and Cone of Luminance data was taken with EcoSystem (EU) fixtures, and is for reference until this time.

² Wall Wash standard with frosted lens.

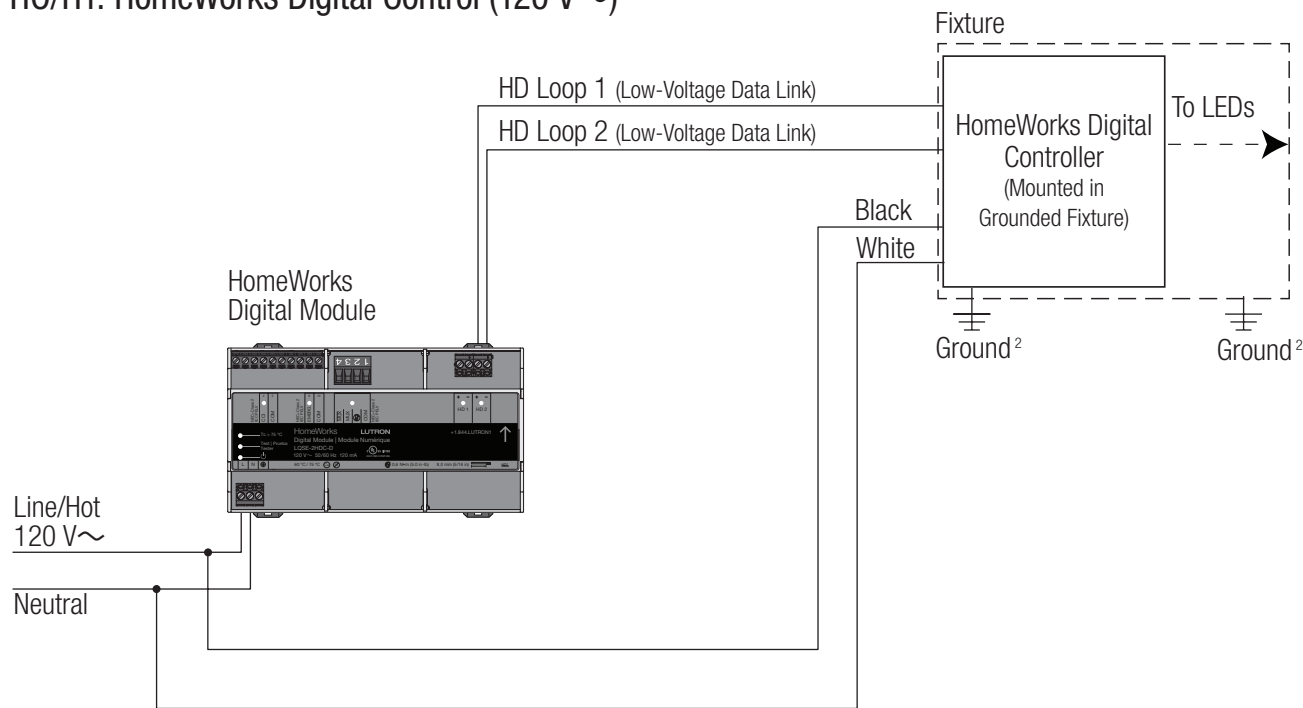


CIRCUIT DIAGRAMS

F1: 2-Wire Forward Phase Control with Neutral (120 V~ ONLY)



HO/H1: HomeWorks Digital Control (120 V~)



¹ Neutral may be optional for certain control types. See product specification submittal for specific wiring diagrams.

² Ensure that both ground wires are connected in the junction box.

- For custom options please contact Lighting Technical Support at lightingsupport@lutron.com or 1.844.LUTRON1 (1.844.588.7661)
- For a list of compatible controls and control ratings, visit www.lutron.com/finire or contact the LED Control Center of Excellence at 1.844.LUTRON1 (1.844.588.7661)



The Lutron logo, Lutron, EcoSystem, HomeWorks, Finiré, Hi-lume, IVALO, IVALO Lighting, and Lutron Ivalo Collection, are trademarks or registered trademarks of Lutron Electronics Co., Inc. in the US and/or other countries.

All other product names, logos, and brands are property of their respective owners.

©2018-2022 Lutron Electronics Co., Inc.

Lutron Electronics Co., Inc.
7200 Suter Road, Coopersburg, PA 18036
Telephone 610.282.3800
www.lutron.com

For limited 5-year warranty details, go to www.lutron.com

Specification subject to change without notice