

TRIM / LED MODULE IMAGES^{1,2}

ROUND

Downlight Position



Adjustable Position²



SQUARE

Downlight Position



Adjustable Position²



PRINCIPAL FEATURES

- LED luminaire, 95+ CRI, R9=85, 800 lumens typical.
- Replicates halogen/incandescent dimming performance with 3000 – 1800 K and 2700 – 1800 K dimming CCT ranges available.
- Standard Lutron LED Driver delivers continuous, flicker-free dimming from 100% down to 0.1% of measured light output.
- 5 year fixture, LED driver, and dimming warranty.
- 2-wire and HomeWorks Digital control options.
- 30° and 65° optics available.
- Includes high efficiency frosted lens.
- IC and non-IC fixture options available.
- IC fixtures are rated for spray foam applications.³
- IC fixtures must be used in installations containing insulating materials. Non-IC fixtures cannot be used in these types of applications.
- IC fixtures meet airtight construction requirements for 2.0 CFM or less air leakage.
- Frame constructed using galvanized steel.
- Luminaires offer 25° maximum tilt.
- Fixture rotation is achieved through rotating entire trim/LED module. Round offers 360° rotation and square offers rotation in 90° increments.
- Supplied with standard 14–24 in (356–610 mm) adjustable bar hangers.
- Luminaires accommodate up to 0.625 in (16 mm) ceiling thickness. Thick ceiling accessory available for up to 1.5 in (38 mm) ceiling thickness.
- Field replaceable components [driver and light assembly (trim, reflector, and LED module)].
- T24 compliant options
- UL and cUL Listed
- Wet location trim available.²

SPECIFICATIONS

- Ambient Operating Temperature:** 32–104 °F (0–40 °C)
 - Decibel Rating:** Quiet in a 25 dB room
 - Maximum Ceiling Thickness:** 0.625 in (16 mm)
 - Ceiling Cutout:** ø 4.5 in (114 mm)
 - Fixture Weight:** 8 lb (3.6 kg) IC 4.5 lb (2 kg) Non-IC
 - Fixture Size:**
 - Non-IC: 10.5 in x 7.7 in x 3.5 in (267 mm x 196 mm x 89 mm)
 - IC: 18.9 in x 9.5 in x 3.9 in (480 mm x 241 mm x 99 mm)
 - Junction Box Size:** 5.6 in x 3.0 in x 1.6 in (142 mm x 76 mm x 41 mm). See NEC chart 314.16A for box fill/wiring capacity.
 - Note:** Dimensions subject to tolerance. See Dimensions section.
- ¹Housing required. See model numbers on page 2 and dimensions on page 4.
²Wet location trim only available in Downlight (not adjustable).
³Rated for direct application of spray foam with less than R-21 insulative value or 3 in (76 mm) of closed cell spray foam. 95 °F (35 °C) maximum operating temperature.



SPECIFICATION SUBMITTAL

Type

Job Name:	Models and Type:
Job Number:	

ORDERING GUIDES

Trim and housing are ordered separately and both are required to complete the fixture.

Select appropriate code in each column to complete model numbers.

Product will be shipped in bulk packaging for 4 or more units.

Note: Standard Finiré Prime housing types (NX, IX, IS) and Trim/LED types (27X, 30X) are not interchangeable with Finiré Prime with warm dimming housings types (IW, NW) and Trim/LED types (W2X, W3X). For standard Finiré Prime model numbers, see specification submittal P/N 367-2708.

1. Trim (includes LED module)

Example:

FPAT R W2X 30 MW

FAMILY	SHAPE	LED	BEAM SPREAD	FINISH
FPAT Finiré Prime, Adjustable, Trimmed	R Round	W2X 2700 – 1800 K 750 lumens* 95+ CRI	30 30°	MW Matte White Trim
FPDT Finiré Prime, Wet Location, Downlight, Trimmed	S Square	W3X 3000 – 1800 K 800 lumens* 95+ CRI	65 65°	

2. Housing (includes LED driver)

Example:

FPH IW HO

FAMILY	HOUSING TYPE	CONTROL TYPE
FPH Finiré Prime Housing	IW IC	F1 2-wire 120 V~ only
	NW Non-IC	HO 0.1% HomeWorks Digital 120 V~

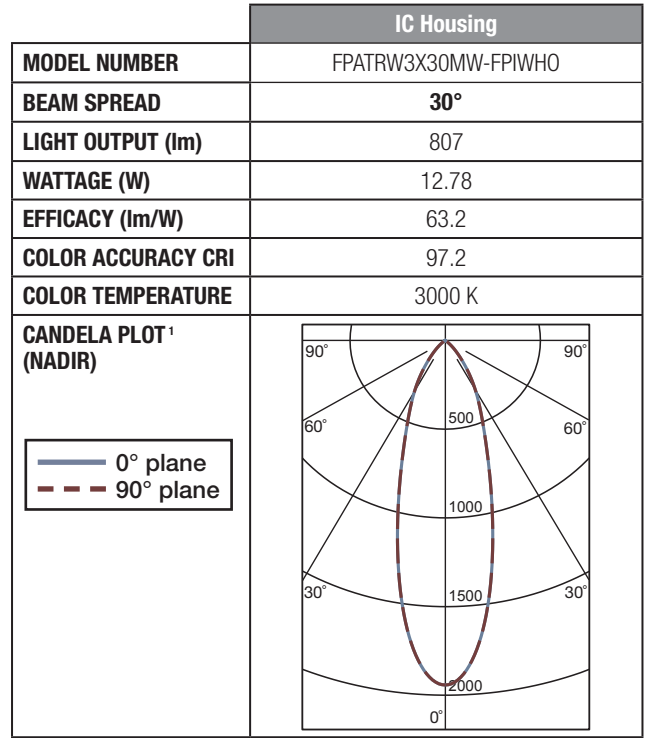
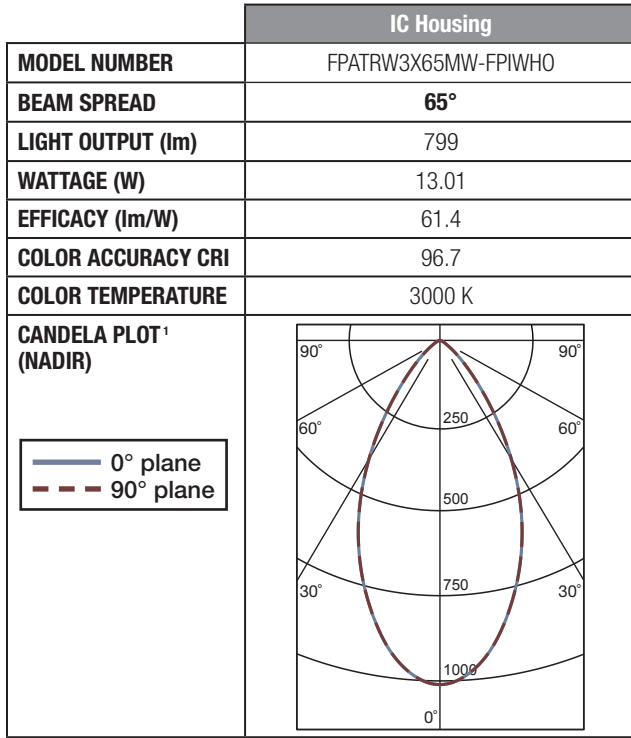
*All wattage, lumen, CCT, and CRI values are typical values. For exact values, reference the photometric data or contact Lutron Customer Service.

Accessory Kits (Optional)

MODEL NUMBER	DESCRIPTION
FP-TC075	Thick ceiling clips (0.625 to 0.75 in), 6 sets
FP-TC100	Thick ceiling clips (0.75 to 1.0 in), 6 sets
FP-TC125	Thick ceiling clips (1.0 to 1.25 in), 6 sets
FP-TC150	Thick ceiling clips (1.25 to 1.5 in), 6 sets
FP-OPTIC30	Optics kit, 6 pcs of 30° reflector and 6 pcs of Wall Wash film
FP-OPTIC65	Optics kit, 6 pcs of 65° reflector and 6 pcs of Wall Wash film

For more information, please contact Lutron Lighting Technical support at 1.844.LUTRON1 (1.844.588.7661) or lightingsupport@lutron.com

PHOTOMETRIC DATA



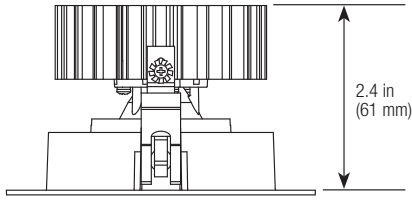
H = DISTANCE FROM CEILING ft(m)	CONE OF LUMINANCE ¹	
	Nadir (fc)	50% Lighted Diameter ft (m)
4 (1.22)	63.2	3.08 (0.94)
6 (1.83)	28.1	4.62 (1.41)
8 (2.44)	15.8	6.16 (1.88)
10 (3.05)	10.1	7.7 (2.35)
12 (3.66)	7.02	9.24 (2.82)
14 (4.27)	5.16	10.8 (3.29)
16 (4.88)	3.95	12.3 (3.75)

H = DISTANCE FROM CEILING ft(m)	CONE OF LUMINANCE ¹	
	Nadir (fc)	50% Lighted Diameter ft (m)
4 (1.22)	121	1.95 (0.59)
6 (1.83)	54	2.93 (0.89)
8 (2.44)	30.4	3.9 (1.19)
10 (3.05)	19.4	4.88 (1.49)
12 (3.66)	13.5	5.85 (1.78)
14 (4.27)	9.91	6.83 (2.08)
16 (4.88)	7.59	7.81 (2.38)

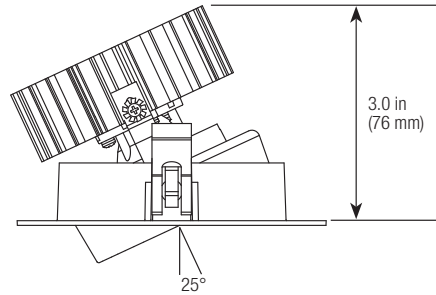
¹ The photometric data was taken with HomeWorks (HO) fixtures. Updated Candela Plot (NADIR) and Cone of Luminance files (.IES) will be available may 2022 for HomeWorks Digital (HO) Fixtures. The Candela plot and Cone of Luminance data was taken with EcoSystem (EU) fixtures and is for reference until this time.
² Total system power including LED driver.

TRIM / LED MODULE DIMENSIONS

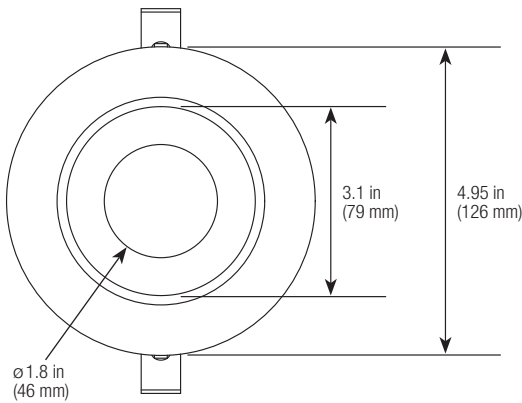
ROUND OR SQUARE: Side View (down position)



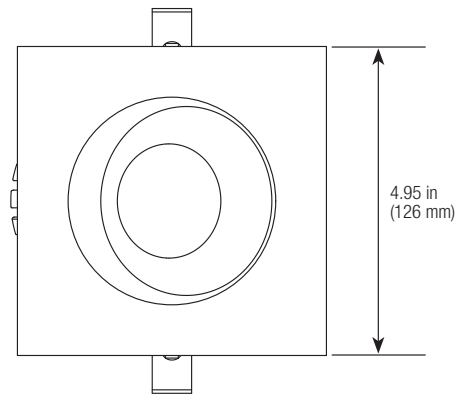
ROUND OR SQUARE: Side View (tilt position)



ROUND: Bottom View (down position)



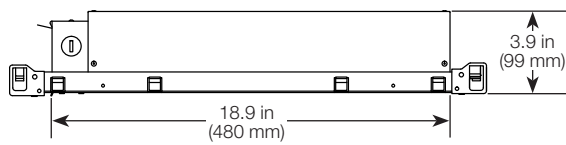
SQUARE: Bottom View (tilt position)



HOUSING DIMENSIONS

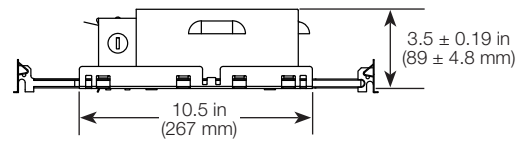
IC Housing (IW)

SIDE VIEW

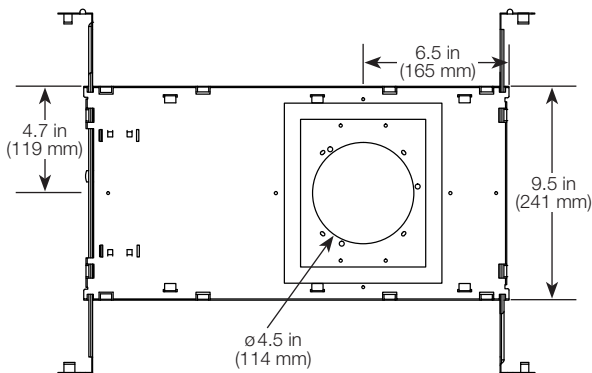


Non-IC Housing (NW)

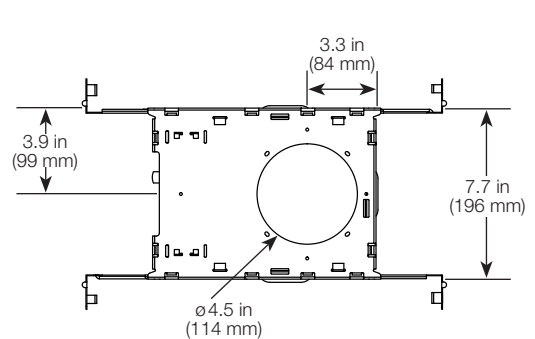
SIDE VIEW



BOTTOM VIEW



BOTTOM VIEW

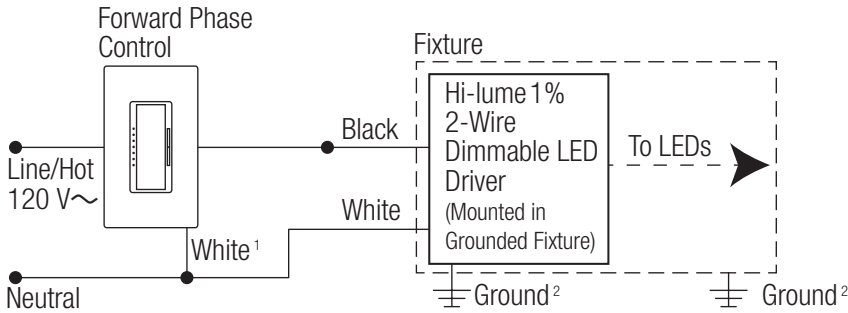


NOTES:

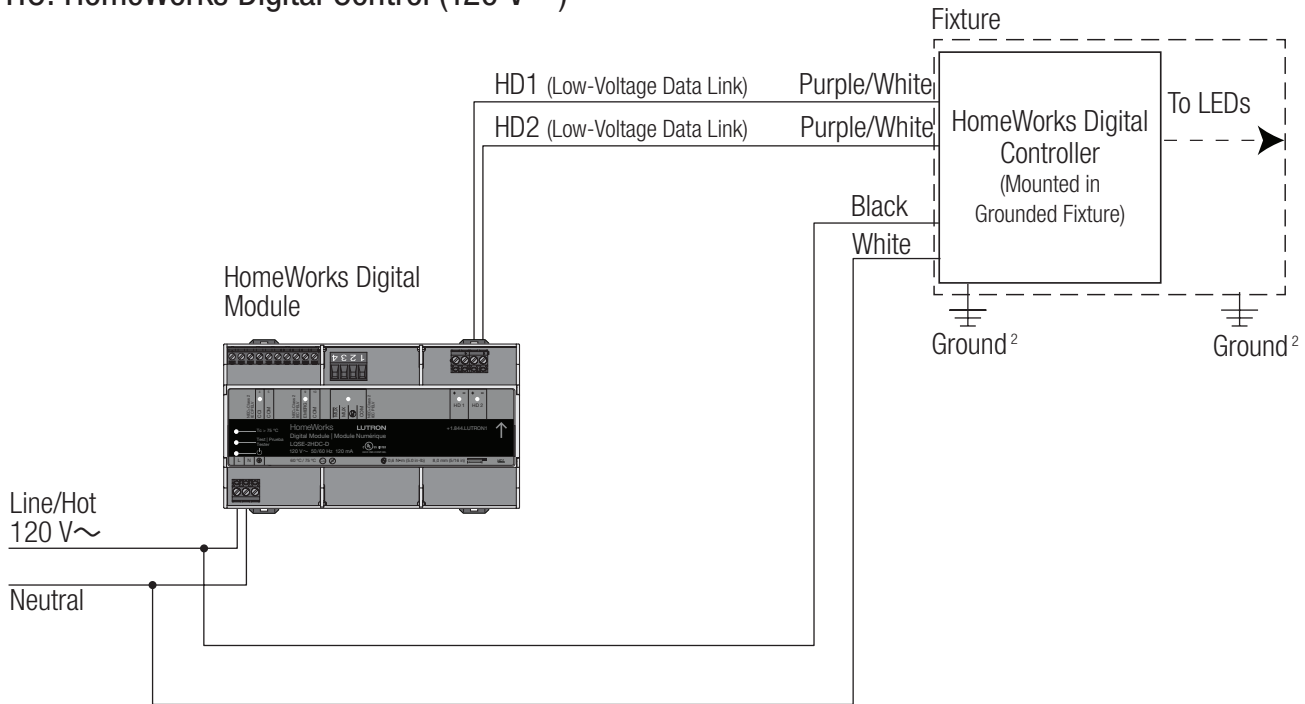
- Unless otherwise stated, dimensions have ± 0.063 in (1.6 mm) tolerance.
- Bar hangers have an adjustable width from 14 in (356 mm) to 24 in (610 mm).
- Wet location trims are Downlight only and do not tilt.

CIRCUIT DIAGRAMS

F1: 2-Wire Forward Phase Control with Neutral (120 V~ ONLY)



H0: HomeWorks Digital Control (120 V~)



¹ Neutral may be optional for certain control types. See product specification submittal for specific wiring diagrams.

² Ensure that both ground wires are connected in the junction box.

- For custom options please contact Lighting Technical Support at lightingsupport@lutron.com or 1.844.LUTRON1 (1.844.588.7661)
- For a list of compatible controls and control ratings, visit www.lutron.com/finire or contact the LED Control Center of Excellence at 1.844.LUTRON1 (1.844.588.7661)



The Lutron logo, Lutron, HomeWorks, Hi-lume, Finiré, and Ivalo Collection are trademarks or registered trademarks of Lutron Electronics Co., Inc. in the US and/or other countries.

©2017-2022 Lutron Electronics Co., Inc.

Lutron Electronics Co., Inc.
7200 Suter Road, Coopersburg, PA 18036
Telephone 610.282.3800

www.lutron.com

For limited 5-year warranty details, go to www.lutron.com

Specification subject to change without notice