

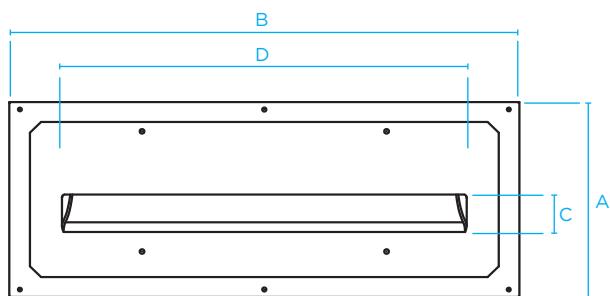
SONANCE

DATA SHEET

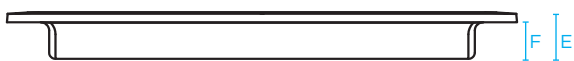
TRUFIG GRG LINEAR DIFFUSER

GRG LINEAR DIFFUSER DIMENSIONS					
MODEL	7"	12"	24"	36"	48"
SKU	50223	50240	50224	50225	50229
A	16.25" (413mm)	8" (203mm)	12" (305mm)	12" (305mm)	12" (305mm)
B	16.25" (413mm)	16" (406mm)	30.25" (768mm)	42.25" (1073mm)	54.25" (1378mm)
C	4" (102mm)	2.5" (63mm)	2.54" (64mm)	2.54" (64mm)	2.54" (64mm)
D	9" (229mm)	11" (279mm)	24" (610mm)	36" (914mm)	48" (1219mm)
E	3.75" (95mm)	3.25" (83mm)	2.7" (69mm)	2.7" (69mm)	2.7" (69mm)
F	2.37" (67mm)	2.7" (69mm)	2.08" (53mm)	2.08" (53mm)	2.08" (53mm)

DIMENSIONAL DRAWINGS



GRG Linear Diffuser Front View



GRG Linear Diffuser Side View

DESCRIPTION

APPLICATIONS

HVAC GRG Diffusers are designed for wall and ceiling installations. Available in panel thicknesses of 0.625" only.

FLUSH FINISH

Platform technology allows for a flush finish. Solid cast technology creates a seamless transition from air opening to wall or ceiling surface. Front surface material can be primed and painted like any other gypsum finish material.

TECHNICAL

MATERIALS

Glass Fiber Reinforced Gypsum (GRG or GFRG). Cast gypsum reinforced with fiberglass material. Impact, mold, and moisture resistant.

ENVIRONMENTAL

For indoor use only. Mounting platform may be used in damp locations such as kitchens and bathrooms.



SONANCE

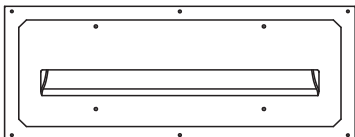
PERFORMANCE DATA SHEET

TRUFIG GRG LINEAR DIFFUSER

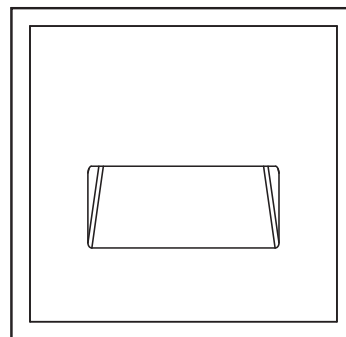
GYPSUM LINEAR DIFFUSER							
PHYSICAL CHARACTERISTICS			VELOCITY				
Size	Opening Dims (W x H)	Open Area (SQ. FT)	250 CFM	400 CFM	500 CFM	600 CFM	1,000 CFM
12"	11" x 2.5"	0.19	48	76	95	114	190
24"	24" x 1.625"	0.272	68	109	136	163	272
36"	36" x 1.625"	0.407	102	163	204	244	407
48"	48" x 1.625"	0.544	136	218	272	326	544

7" GYPSUM DIFFUSER							
PHYSICAL CHARACTERISTICS			VELOCITY				
Size	Opening Dims (W x H)	Open Area (SQ. FT)	250 CFM	400 CFM	500 CFM	600 CFM	1,000 CFM
7"	7" x 2.625"	0.123	31	49	62	74	123

DIMENSIONAL DRAWINGS



Gypsum Linear Diffuser Front View



7" Gypsum Diffuser Front View