

SONANCE

BEYOND SOUND

HVAC GRG 12" Linear Diffuser
INSTALLATION GUIDE

TRUFIG GRG LINEAR DIFFUSER

7" | 12" | 24" | 36" | 48"

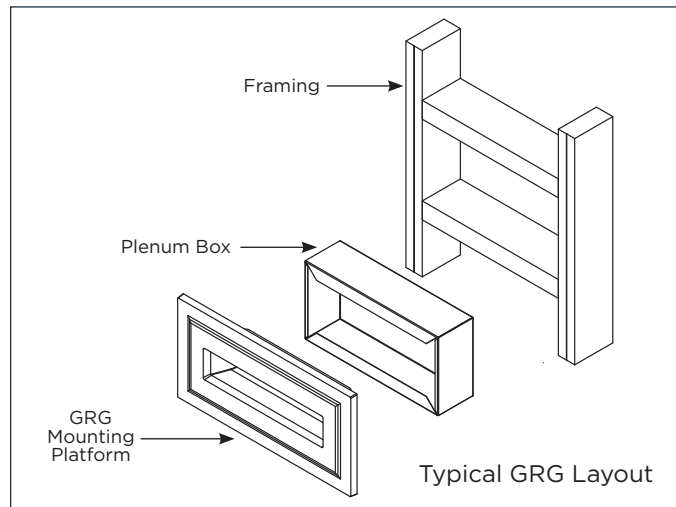


FRAMING AND PREPARATION

Rough Opening Framing

GRG diffusers are created for installation in both ceilings and walls. It is required that the contractor create a rough opening in which to install the diffuser. Use the below chart to find the appropriate rough opening dimensions for each diffuser.

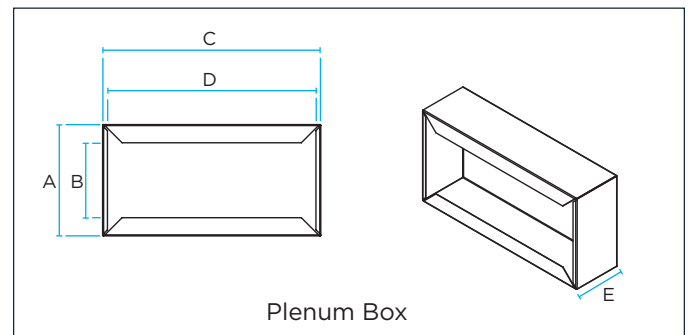
ROUGH OPENING DIMENSIONS					
DIM	7" x 4"	12" x 2"	24" x 1.625"	36" x 1.625"	48" x 1.625"
WIDTH	14"	14.5"	28.75"	40.75"	52.75"
HEIGHT	14"	6.5"	10.5"	10.5"	10.5"



Plenum Box Construction and Attachment

GRG diffusers are created to work with a plenum box. Plenum boxes are the inlet and outlet boxes that serve as a transition between the TRUFIG GRG diffuser and the rest of the HVAC duct work. Below are the recommended dimensions for a plenum box to attach to the TRUFIG diffuser.

PLENUM BOX DIMENSIONS					
DIM	7" x 4"	12" x 2"	24" x 1.625"	36" x 1.625"	48" x 1.625"
A	>11.5" (292mm)	6.5" (165mm)	10.5" (267mm)	10.5" (267mm)	10.5" (267mm)
B	9.25" (235mm)	5.25" (133mm)	5.5" (140mm)	5.5" (140mm)	5.5" (140mm)
C	14" (356mm)	14.5" (368mm)	28.75" (730mm)	40.75" (1035mm)	52.75" (1035mm)
D	12.75" (324mm)	12.5" (317mm)	24.875" (632mm)	36.875" (937mm)	48.875" (937mm)
E	>3.25" (83mm)	>3.25" (89mm)	>3.5" (89mm)	>3.5" (89mm)	>3.5" (89mm)



Scan QR code for additional information and resources. For technical support call (949) 492-7777 or visit www.trufig.com/products/linear-diffuser