

JOSH MICRO

MOUNTING PLATFORM | FASCIA

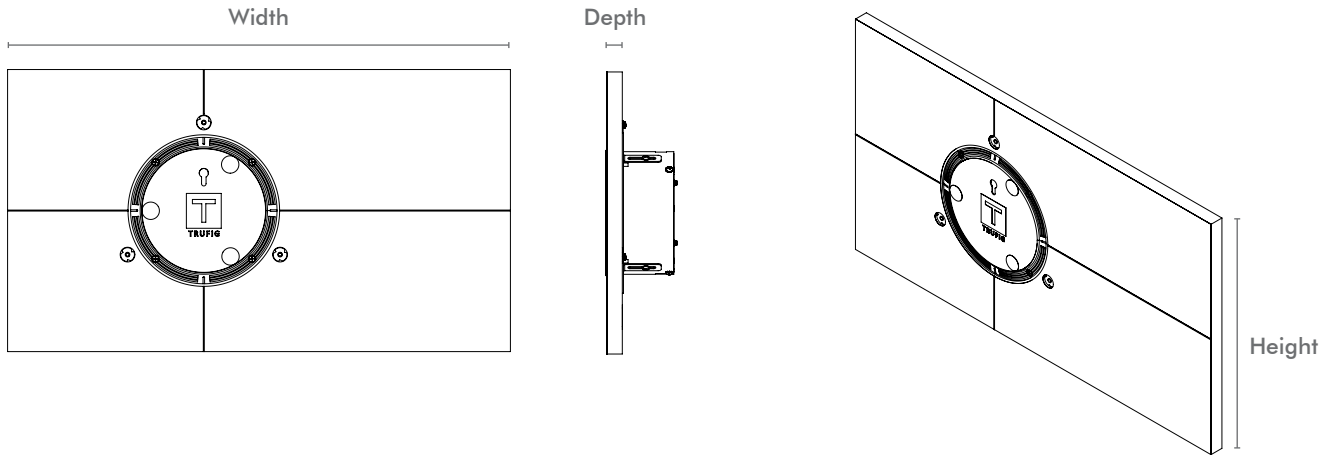
Dimensions

51232 Gypsum Mounting Platform

Width: 20.5" (520.7mm)
Height: 11.5" (292.1mm)
Depth: 5/8" (15.88mm)
Overall Depth: 2.6" (66.04mm)

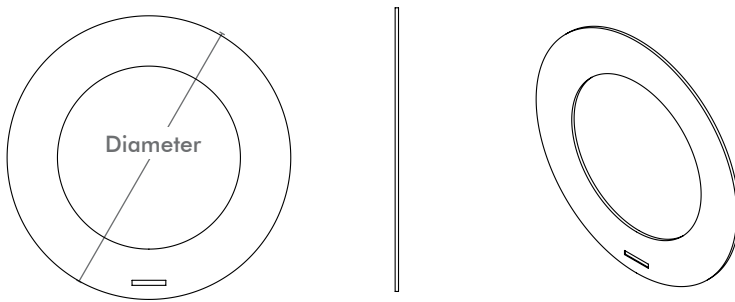
51234 Solid Surface Mounting Platform

Width: 20.5" (520.7mm)
Height: 11.5" (292.1mm)
Depth: 5/8" (15.88mm)
Overall Depth: 2.6" (66.04mm)



50470 Josh Micro Fascia

Diameter: 5.04" (128mm)



LIMITED FIVE (5) YEAR WARRANTY

Trufig warrants to the first end-user purchaser that this Sonance-brand product ("Product"), when purchased from an authorized Sonance Dealer/Distributor, will be free from defective workmanship and materials for the period stated above. Trufig will, at its option and expense, either repair the defect or replace the Product with a new or remanufactured Product or a reasonable equivalent. **Please visit our website and owner's e-Manual for complete warranty and exclusion information.**

©2019 Trufig. All rights reserved. Trufig is a registered trademark of Dana Innovations.

Due to continuous product improvement, all features and specifications are subject to change without notice.

For the latest Trufig product specification information visit our website: www.trufig.com

991 Calle Amanecer • San Clemente, CA 92673 USA • (949) 492-7777 • FAX: (949) 361-5151 • Technical Support: (949) 492-7777

04.19.19