

N3 Satellite

Enables Ketra's luminaires to join the Ketra control network

Wireless network for easy installation

On-board content storage and astronomical time clock

Low voltage interface ports for interfacing with occupancy/vacancy and daylight sensors, 0-10 V, contact closure, and DMX devices ¹



ORDERING GUIDE

Please download this PDF to use the interactive drop down features of the ordering guide.

Product Line	Model	16 Region /Voltage	Installation	BK Housing Color
--------------	-------	-----------------------	--------------	---------------------

Order code: _____

Product Line	Code	Region / Voltage	Code
Commercial (Athena compatible)	CM-	North America, 100-277 V~ 60 Hz	16
Residential (HomeWorks compatible)	HW-	Installation	
		Recessed Rated Housing	REC
		Plenum Rated Housing	PLE
Model		Housing Color	
KetraNet N3 Satellite Link	N3IND	Black	BK
CCX N3 Satellite Link ²	N3LTX		

¹ Functionality will vary between the KetraNet and Clear Connect Type X versions of the N3.

² CCX stands for Clear Connect Type X.

SPECIFICATIONS¹

Optical & Electrical Performance

Operating Ambient Temperature	-20 to 50 °C
Storage Temperature	-20 to 80 °C
Humidity	0 - 95%, Non-condensing
Certification	UL, cUL, FCC Class A, RoHS
Location ¹	UL Damp Location, IP20
Outdoor Use	Not for use in outdoor applications

Mechanical

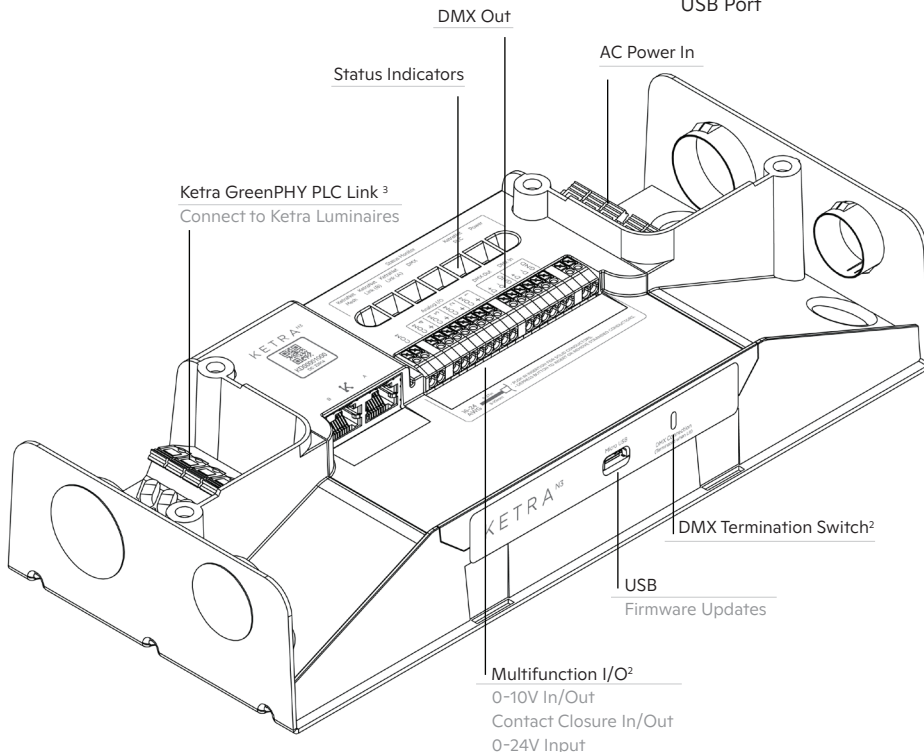
Weight	2.93 lbs, 1.33 kg
Housing Material	Formed Steel, Polymer

Power

Load Ratings	Per Unit: 16 A @ 120 V~ 60 Hz (20 A de-rated to 80%)
Power Requirements	Unit consumes 5 W electrical power Current: 0.041 A @ 120 V~
To compute total load, add 5W to sum of all connected luminaire power ratings.	
Voltage	120-277 V~ 60 Hz

Enclosure & Connections

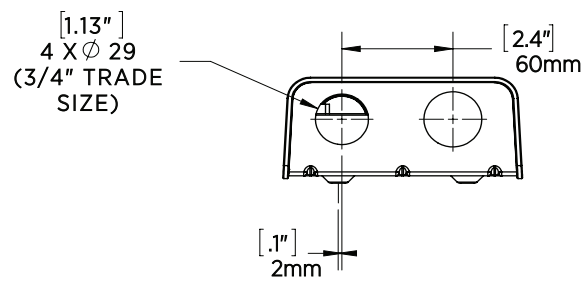
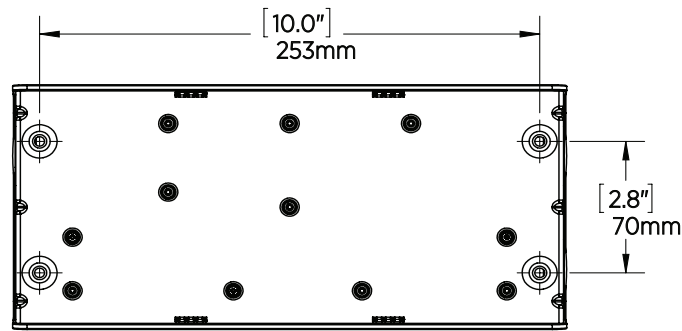
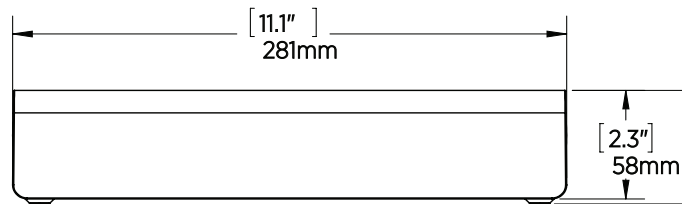
Connections (Class 1)	
AC Power In (3 Conductor 100-277 V~ 60Hz)	10 - 16 AWG (4 - 1 mm ²)
AC Power Out (4 Conductor)	Standard Ketra Leader Cable or 10 - 16 AWG (4 - 1 mm ²)
Connections (Class 2)	
Multifunction I/O (4 channels)	16 - 24 AWG (1 - 0.2 mm ²)
Max Voltage per channel:	30 V ⁼⁼
0-10 V Input/Output	
0-10 V Sinking	
Max Current Per Channel:	100 mA
Max Total Current:	200 mA
0-10 V Current Sourcing	
Max Current Per Channel:	Less than 5 uA
0-24 V Input	
Voltage Range:	0 to 24 V
Contact closure mode	
Maximum output sink current (per channel):	1.0 A
Contact closure type for input and output:	Maintained contact closure only
Full Universe of DMX Out	
KetraNet Mesh Wireless	
USB Port	1 - Micro-B USB console port, for firmware updates



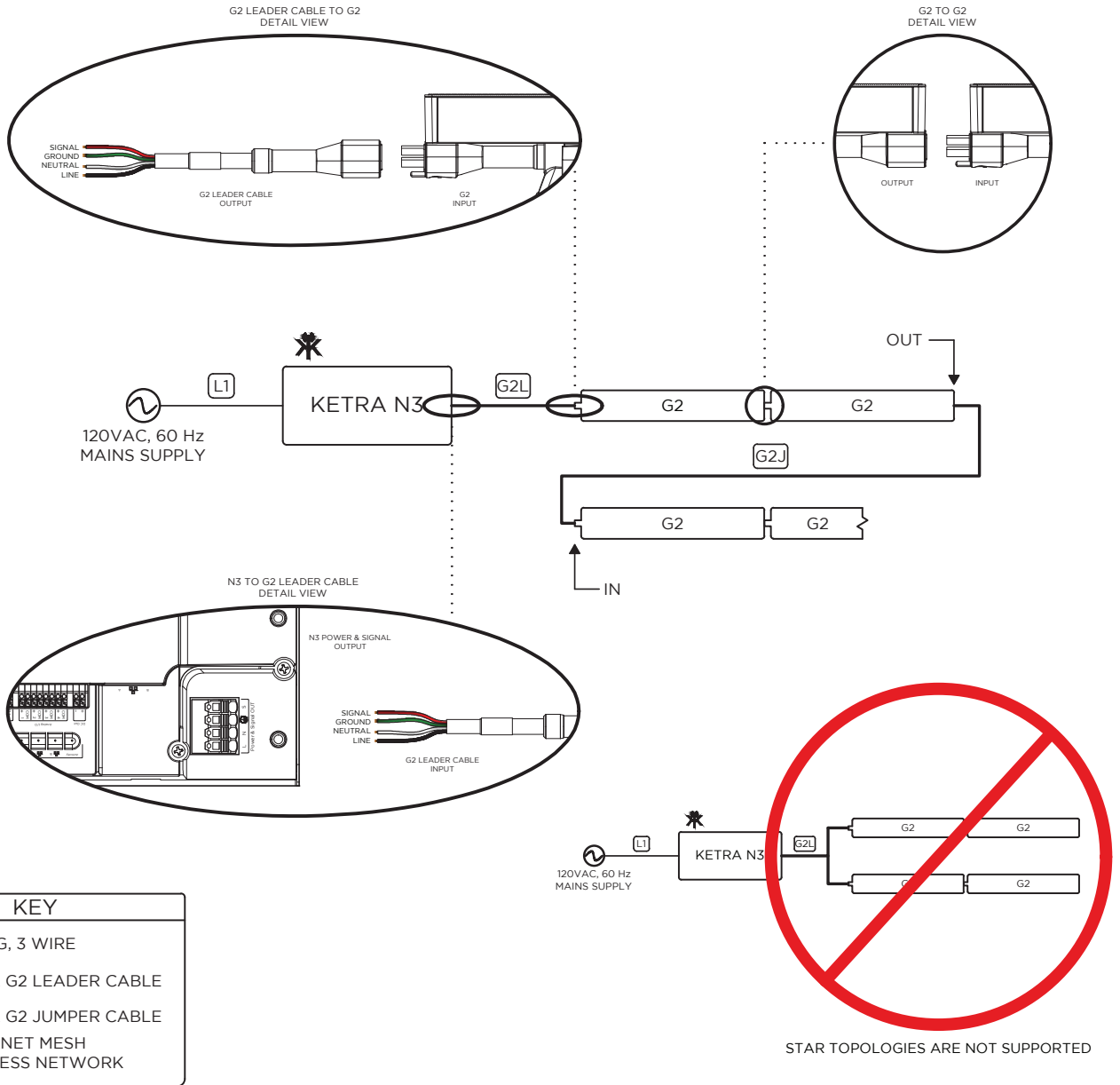
Note: USB port not accessible with cover installed. Allow clearance around product for access after installation.

¹ Product includes on-board wireless radio for communications. Do not enclose in metallic enclosure as it may impact radio performance.
² Functionality will vary between the KetraNet and Clear Connect Type X versions of the N3.
³ Up to 40 ft (12 m) of luminaires and 100 ft (30 m) total length per N3.

PRODUCT DIMENSIONS



ONE LINE DIAGRAM



The Ketra logo, Ketra, and KetraNet are trademarks or registered trademarks of Lutron Ketra, LLC, in the US and/or other countries. Clear Connect is a trademark or a registered trademark of Lutron Electronics Co., Inc. in the US and/or other countries.