

S38 Track Luminaire

The Ketra Difference:

High Def Palette—covers a wide range of 16.7 million colors, including pastels, saturated colors and high CRI whites spanning from 1,400K to 10,000K.

Dynamic Spectrum—precisely tunes the amount of energy across the visible spectrum to produce Natural Light, Natural Dimming and Vibrancy.

TruBeam—produces uniform color across any available beam angle.

Color Lock—maintains your desired color point at a one-step MacAdam Ellipse across all Ketra product families and over each product's lifetime.



ORDERING GUIDE

Please download this PDF to use the interactive drop down features of the ordering guide.

	TA	S38			11	G24			
Product Line	Series	Form Factor	Lumens	System/ Beam Angle	Region / Voltage	Base Type	Adapter Type	Housing Color	Accessory Type

Order code: _____

Product Line	Code	System/Beam Angle	Code	Region / Voltage	Code
Commercial (Athena compatible)	CM-	KetraNet Wide Gamut, Tunable Spot (10°)	CTSP	North America, 120 V~ 60 Hz	11
Residential (HomeWorks compatible)	HW-	KetraNet Wide Gamut, Tunable Flood (25°)	BTFL	Base Type	
Model		KetraNet Wide Gamut, Tunable Wide Flood (40°)	BTWFL	GU24	G24
Track Luminaire	TA	KetraNet Wide Gamut, Tunable Very Wide Flood (60°)	BTVFL	Adapter Type	
Form Factor		CCX Wide Gamut, Tunable Spot (10°) ¹	GTSP	"H-Type" Compatible	H
S38	S38	CCX Wide Gamut, Tunable Flood (25°) ¹	GTFL	½ in (12.7 mm) NPT Canopy Mount	N
Lumens		CCX Wide Gamut, Tunable Wide Flood (40°) ¹	GTWFL	Housing Color	
900	09	CCX Wide Gamut, Tunable Very Wide Flood (60°) ¹	GTVFL	White	WH
1100	11			Black	BK
				Accessory Type	
				Short Snoot 55° cutoff	SNT55
				Tall Snoot 30° cutoff	SNT30
				Hex Louver 45° cutoff, includes SNT55	LUV45
				Baffle 15° cutoff, includes SNT30	BFL15
				No Accessory	NA

¹ CCX stands for Clear Connect-Type X.



S38 TRACK LUMINAIRE

P/N 3662384 Rev F

Specifications are subject to change without notice

SPECIFICATIONS¹

Optical Performance

Lumen Output ²	900 lm/ 1100 lm
CRI (Ra) ³	>90 (R9 >90)
Lumen Maintenance ⁴	36,000 hours to L70 @ 25 °C T _A
Color Point Maintenance	One-step MacAdam Ellipse over product lifetime
Equivalent Traditional Lamp	75 W/ 100 W halogen PAR38
Dimming Range ⁵	0.1-100%

Environmental

Operating Temperature (T _A)	0–50°C
Storage Temperature	-20–80°C
Humidity	0–95%, Non-condensing
Certification	UL, cUL, RoHS, FCC Class B
Location	UL Damp Location, IP20
Outdoor Use	Not for use in outdoor applications

Mechanical

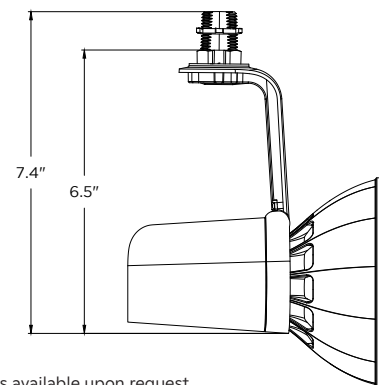
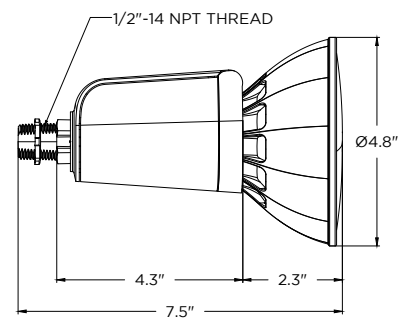
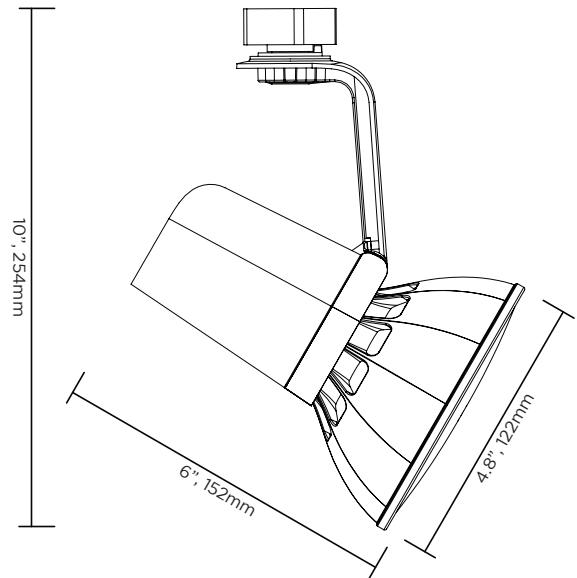
Weight	13.8 oz, 390 g
Housing Material	Powder Coated Aluminum, Polymer
Lens Material	Non-yellowing PMMA
Base Type	GU24

Electrical

Power Consumption	S38.09 13 W/ S38.11 18 W
Power Factor	>0.9
Current	170 mA Max
Efficacy	S38.09 69 lm/W / S38.11 62 lm/W
Emergency Lighting	Evaluated by UL [®] for use in emergency lighting systems in accordance with standard UL [®] 924 and CSA C22.2 No. 141 when paired with the LVS [™] model LUT-SHUNT-A-TD (UL [®] file E206507). See Lutron Application Note 106 (P/N 048106) at www.lutron.com for wiring details. This is only applicable to CCX fixtures used in an Athena system.

Accessories

S38 Accessory Snoot 30° cutoff, White	S38ASNT30WH
S38 Accessory Snoot 30° cutoff, Black	S38ASNT30BK
S38 Accessory Snoot 55° cutoff, White	S38ASNT55WH
S38 Accessory Snoot 55° cutoff, Black	S38ASNT55BK
S38 Accessory Louver 45° cutoff, White (Requires S38ASNT55)	S38ALUV45WH
S38 Accessory Louver 45° cutoff, Black (Requires S38ASNT55)	S38ALUV45BK
S38 Accessory Baffle 15° cutoff, White (Requires S38ASNT30)	S38ABFL15WH
S38 Accessory Baffle 15° cutoff, Black (Requires S38ASNT30)	S38ABFL15BK



CAD files available upon request

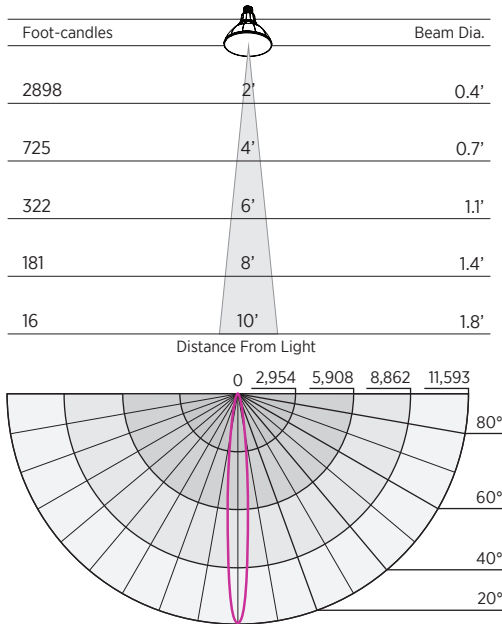
¹ All performance measurements taken at 3000 K, 25 °C ambient, 100% power input, unless otherwise stated.
² Lumen measurement complies with IES LM-79-08 testing procedures.
³ See color gamut chart at the end of this document.
⁴ Lumen maintenance values calculated in accordance to TM-21 procedures based on LM-80 compliant measurement data.
⁵ Intensity and color point control requires compatible system.



ISO FOOTCANDLE CHARTS: 2700 - 5000 K VALUES ONLY

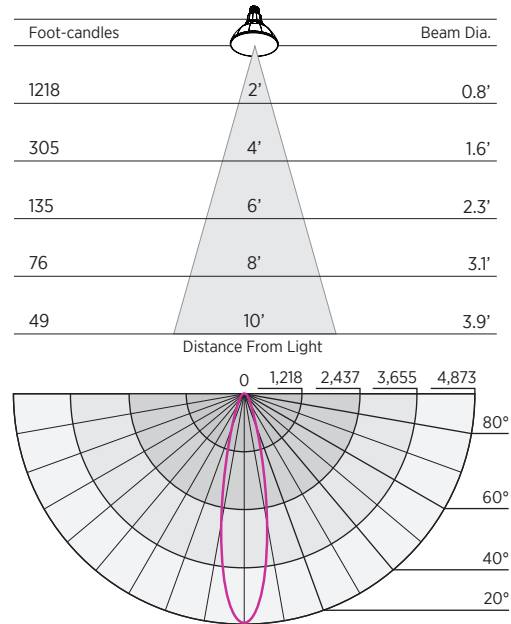
Beam Angle: 10° Spot (SP)

Product Code ¹	Wattage	Lumens	CBCP
S3811CTSP1E26WH	18 W	1100	11,593



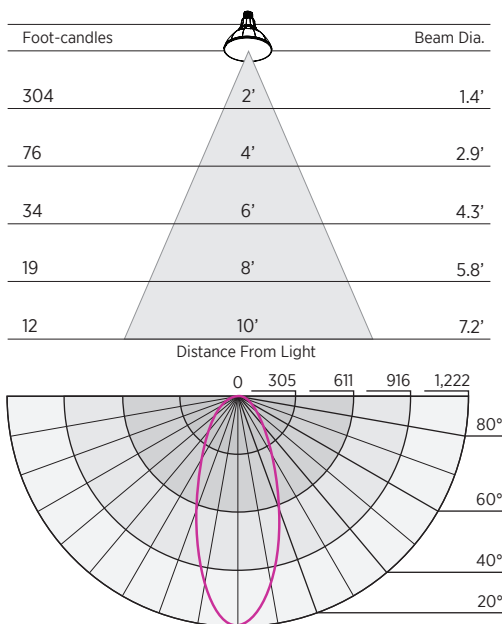
Beam Angle: 25° Flood (FL)

Product Code ¹	Wattage	Lumens	CBCP
S3811BTFL1E26WH	18 W	1100	4873



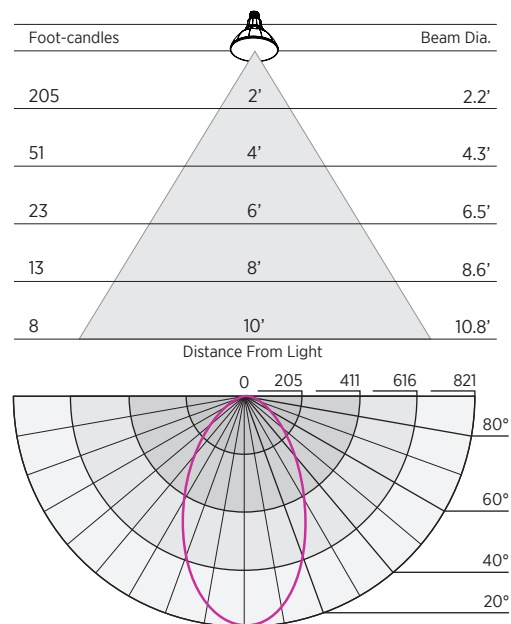
Beam Angle: 40° Wide Flood (WFL)

Product Code ¹	Wattage	Lumens	CBCP
S3811BTWFL1E26WH	18 W	1100	1217

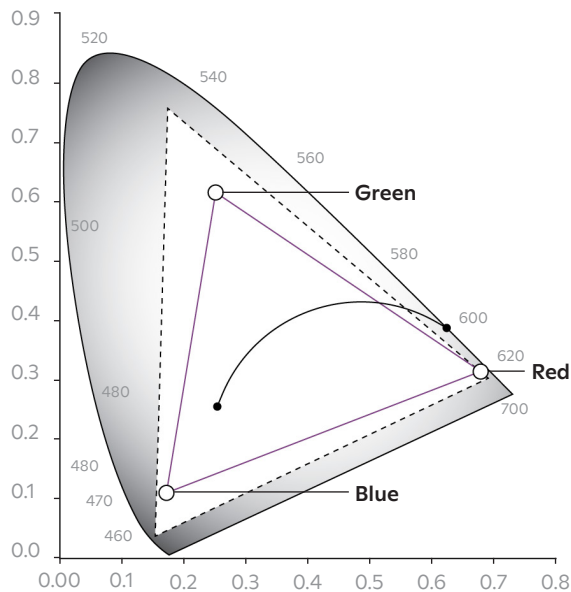


Beam Angle: 60° Very Wide Flood (VFL)

Product Code ¹	Wattage	Lumens	CBCP
S3811BTVFL1E26WH	18 W	1100	818



¹ This option is not available for sale in California.

WIDE GAMUT
CIE 1931 Color Chart


Ketra's LED Track Luminaire can easily be commissioned into Lutron HomeWorks or Athena systems. The product can reproduce any color point within the triangle shaped gamut indicated in the chart to the left. With Ketra's innovative optical and thermal feedback system, the color point is maintained to an accuracy of one-step MacAdam Ellipse over the lifetime of the product and across operating temperature range.

— **Color Lock**—Color point is maintained to an accuracy of one-step MacAdam Ellipse over the lifetime of the product and across operating temperature range.

- - - **Expanded Gamut**—Color calibration is relaxed such that each product produces the most saturated color it is capable of.

S38 General Specifications

Color Point Maintenance: Employ closed loop optical and thermal feedback capable of maintaining color point accuracy at a one-step MacAdam ellipse over product lifetime.

Wireless Capability: LED light source shall have an integrated wireless control on board.

Color Rendering Index (CRI): Capable of CRI greater than 90 at any point along the Black Body Curve from 2,700K to 5,000K.

Single Source Multi-Dye Emitter Design: Employ a single source multi-dye emitter consisting of both monochromatic and phosphor converted blue LED dye.

LED Estimated Useful Life: Minimum of 50,000 hours at 70 percent lumen maintenance, calculated based on IES LM-80 test data.

Warranty: Ketra's light source is warranted to be free from material defects in material and workmanship for five (5) years or 25,000 hours from date of shipment, whichever is less.

Lighting System Capable of the Following Dimming Functionality:

1. Automatically mimicking natural daylight by shifting Correlated Color Temperature (CCT) and intensity based on time-of-day.
2. Shifting from high CCT at high intensity to low CCT at low intensity, mimicking dimming curve of an incandescent lamp.
3. Changing intensity while maintaining full color spectrum or CCT.
4. Changing full color spectrum or CCT while maintaining intensity.

Spectral Power Distribution Manipulation: Light system capable of manipulating the Spectral Power Distribution (SPD) by automatically adjusting distributions of color intensity while maintaining the same Correlated Color Temperature (CCT).

Dimming Range: Dimmable from 100 to 0.1 percent measured luminous flux.

Color Point Range: Single light source capable of producing 16.7 million colors and white from 1,400K to 10,000K Correlated Color Temperature (CCT).

The Ketra logo, Ketra, TruBeam, Color Lock, and KetraNet are trademarks or registered trademarks of Lutron Ketra, LLC, in the US and/or other countries. Clear Connect, Athena, and HomeWorks are trademarks or registered trademarks of Lutron Electronics Co., Inc. in the US and/or other countries. All other product names, logos, and brands are property of their respective owners.