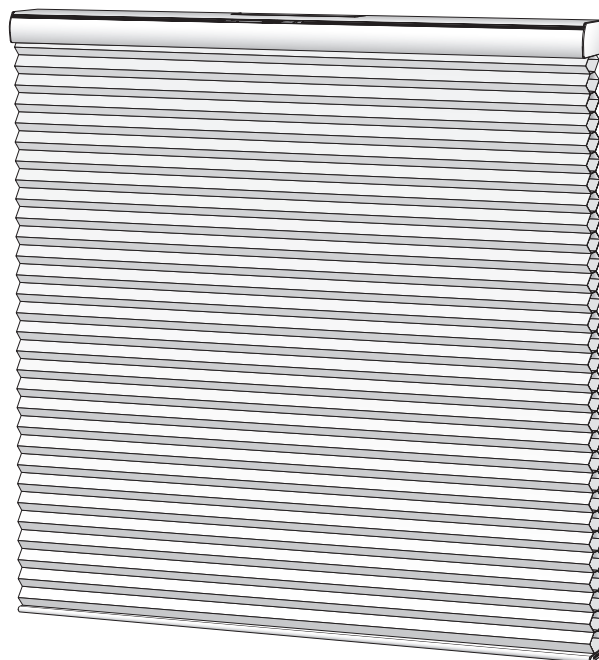


Serena and Triathlon Architectural Honeycomb Shades

Lutron smart architectural honeycomb shades start, move, and stop smoothly and quietly while providing privacy and light control using an app, remote control, or voice assistant.

Features

- Architectural headrail design with light blocking top back cover
- 3/4 in (19 mm) cell size to give an updated look to the classic honeycomb style
- Blackout and light-filtering fabric options including collections of full range neutrals, decorative prints, and rich textures
- Headrail, bottom bar, and top back cover are color coordinated with fabric selection. The top back cover includes a gray cover plate.
- 0.125 in (3 mm) side light gaps
- Battery-powered and wired power models available
- Industry leading battery performance*
- Triathlon drive technology maintains accurate bottom rail alignment by compensating for fabric weight and battery voltage
- Precise drive is capable of stopping at 0.125 in (3 mm) intervals throughout the entire travel of the shade
- Built-in wireless communication using Clear Connect Type A RF technology
- Wireless control range: 30 ft (9 m)
- Tap 'n' Tilt brackets for easy battery installation and changes
- Easy installation and maintenance



* Battery performance details are available in your shade ordering tool.

Specifications

Ratings

- Operating Voltage: 6-12V==
- Operating Wattage: 5 W
- Torque: 2.5 in-lb (0.28 N•m)
- Speed: 1.8 in/sec

Environment

- Temperature: 32° F to 104° F (0° C to 40° C)
- For indoor use only
- Relative Humidity: <90% non-condensing

Regulatory

- cULus listed (E135084)
- FCC (USA)
- IC (Canada)

Compatible Controls

Serena Models

- Pico wireless control
- 4-Group RF Shade Remote Control
- Caséta Wireless

Sivoia QS Triathlon models

- Pico wireless control
- 4-Group RF Shade Remote Control
- seeTouch RF keypads
- GRAFIK Eye QS
- RadioRA 2
- RA2 Select
- RadioRA 3
- HomeWorks QS and Homeworks QSX
- Caséta Pro

Job Name:	Model Numbers:
Job Number:	

System Dimensions

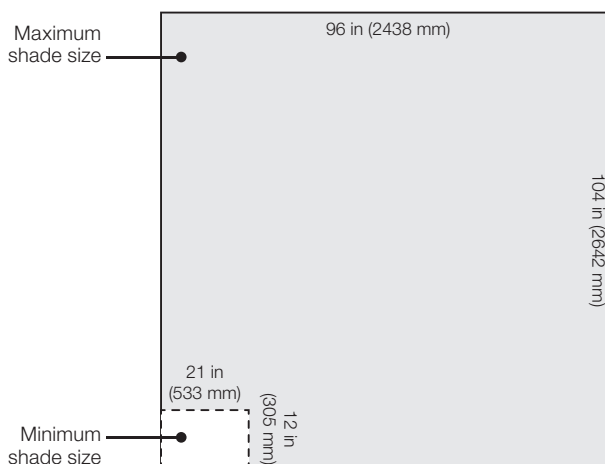
Shade Width*

Minimum	Maximum
21 in (533 mm)	96 in (2438 mm)

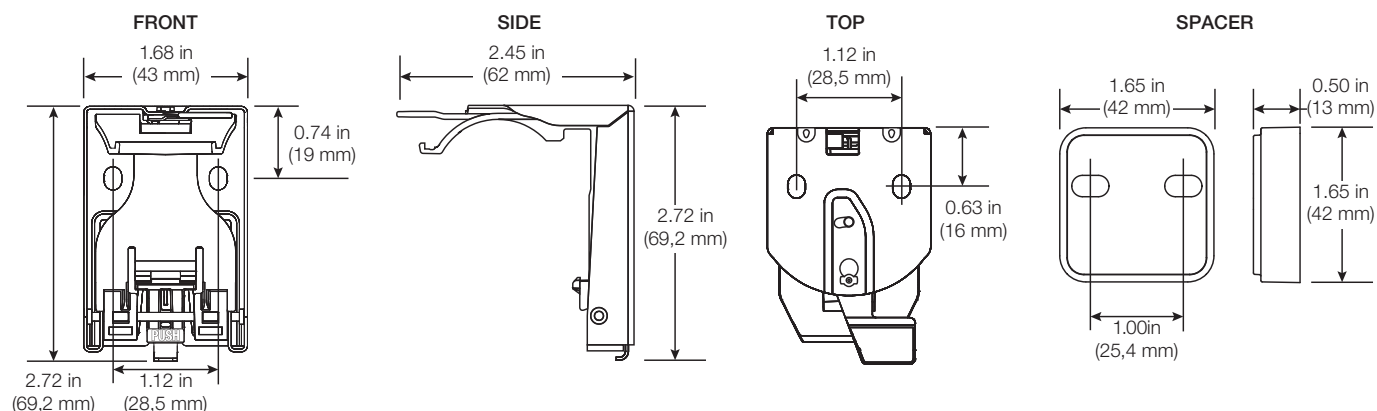
*Fabric width = shade width minus 0.125 in (3 mm)

Shade Height

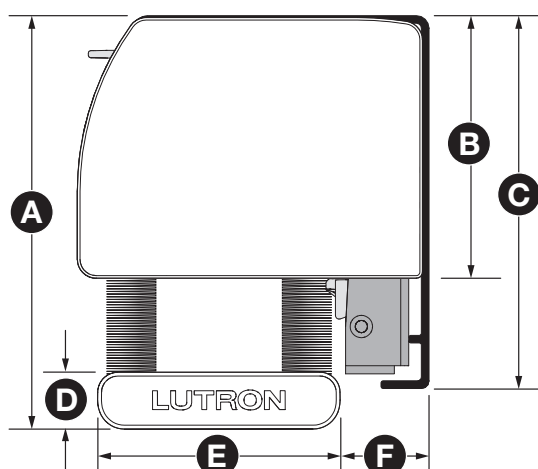
Minimum	Maximum
12 in (305 mm)	104 in (2642 mm)



Tap 'n' Tilt Brackets:



Mounted System (section view):



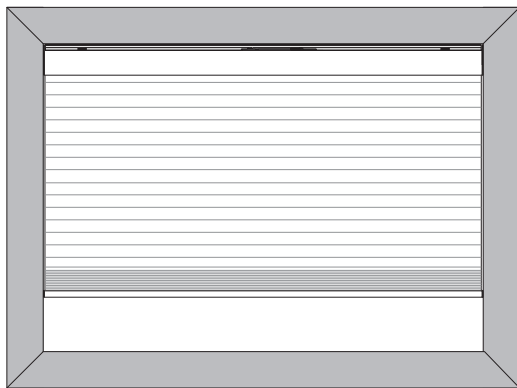
- A** Stack Height* (varies with shade height)
- B** 2.125 in (54 mm)
- C** 3.000 in (76 mm)
- D** 0.4375 in (11 mm)
- E** 1.875 in (48 mm)
- F** 0.6875 in (17.5 mm)

* Total height of the fully raised shade from the top of the bracket to the bottom of the bottom rail. For details, see [Serena Stack Guidelines.pdf](#)

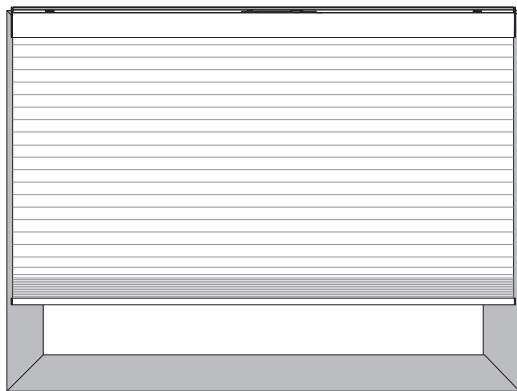
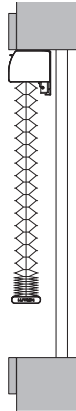
Job Name:	Model Numbers:
Job Number:	

Mounting Options

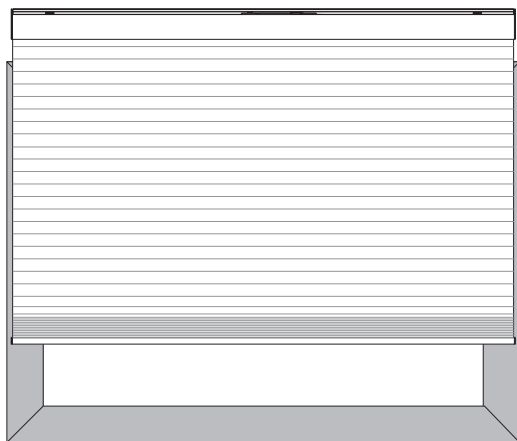
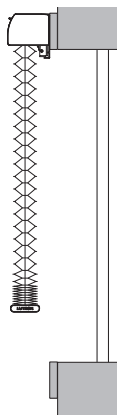
Depending on the window dimensions, the shade can be mounted inside the window frame or outside the window frame.



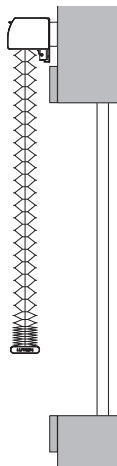
Inside Mount



Outside Mount



Outside Mount Above Trim (includes spacers)



Fabric Collections

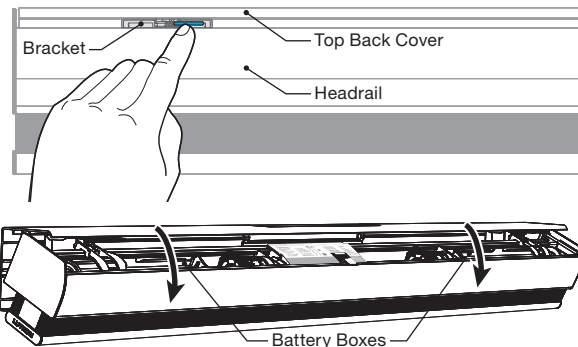
Light-Filtering
Aspen
Kyoto
Oslo
Madrid
Blackout
Kyoto
Madrid

Job Name:	Model Numbers:
Job Number:	

Power Options

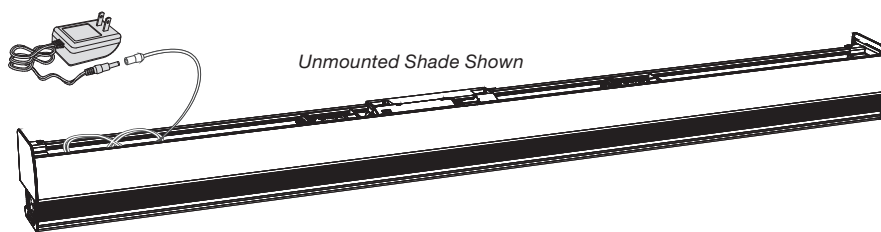
Battery power

- Batteries are not included.
- Type and quantity vary with shade size and fabric choice.
- After the system is mounted, Tap 'n' Tilt brackets allow access to the battery boxes.
- For optimal battery life:
 - DO NOT mix old and new batteries, or battery types
 - DO NOT install carbon-zinc or rechargeable batteries
 - ONLY USE matching 1.5 V AA lithium or alkaline D-cell batteries
 - Lutron recommends Energizer® AA lithium batteries
 - Lutron recommends Duracell® or RAYOVAC® alkaline D-cell batteries
 - Refer to [Application Note #561: Optimizing Battery Life in Lutron Shades](#)



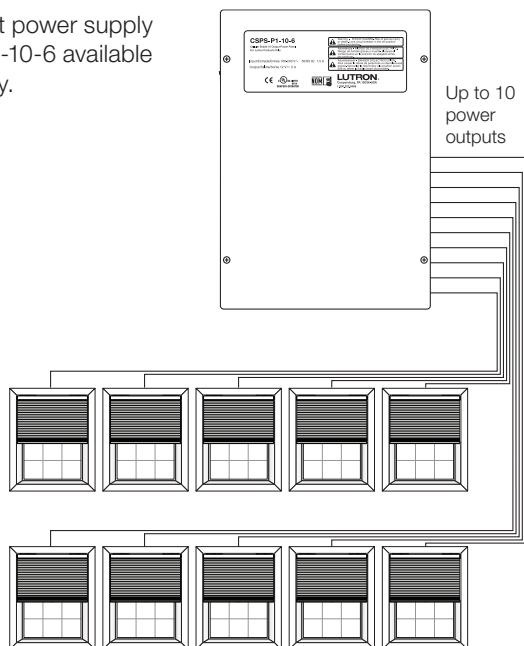
Plug-in power supply

- Shade includes 15 ft (4572 mm) power wire
- Individual power supply CSPS-XX-1-6-WH available separately.
 - CSPS-P1-1-6-WH = ☹️
 - CSPS-P2-1-6-WH = ☹️
 - CSPS-P3-1-6-WH = ☹️



Power panel

10-output power supply CSPS-P1-10-6 available separately.



Input Voltage:
120-240 V~

Max. input current:
1.5 A

Operating frequency:
50/60 Hz

Output Voltage:
12 V^{DC}

Output Current:
5 A

ESD Protection:
(+/-) 16 kV

Secondary wiring must be of type CL2, CL2P, CL2R, CL2X or other cable with equivalent or better electrical, mechanical, and flammability ratings in accordance with local and national electric code.

Wiring must be 20 AWG – 16 AWG (0.5 mm² – 1.5 mm²) stranded for shade power (2-conductor).

Job Name:	Model Numbers:
Job Number:	