



PRODUCT SPECIFICATION BOOK



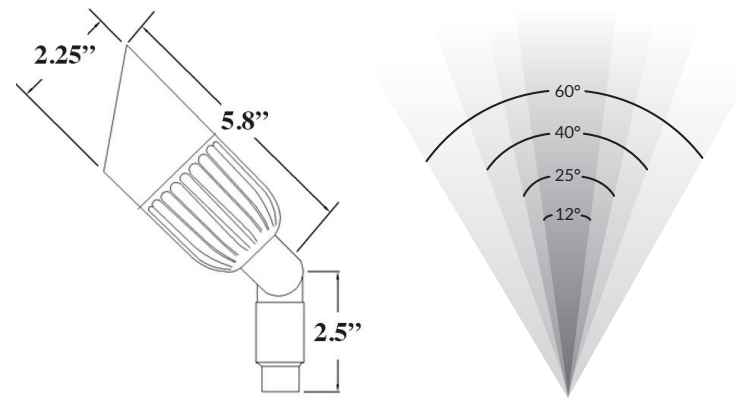
V3 | Visionary Series Spotlight

PRODUCT DESCRIPTION

Ideal for uplighting, shadowing, wall washing, silhouetting, and architectural accents.

The Visionary 3 Spotlight is sleek at only 2.25 inches in diameter and is built with a light engine that can be upgraded to future technology. With its vertical heat sink, this fixture provides higher thermal conductivity and allows for improved performance, efficiency and lumen output.

PRODUCT DIMENSIONS & BEAM SPREADS



FEATURES & BENEFITS

- Built in the U.S.A.
- CNC-machined from 6061 aircraft-grade aluminum or raw brass.
- U.S.A. made light engine and driver.
- Built in surge protector.
- Adjustable knuckle for ease of light positioning.
- Compression fit lens.
- Breathable ant guard to eliminate insect infestation.
- Double silicone o-ring gaskets for a tight-fitting shroud.
- Vertical heat sink that provides higher thermal conductivity.
- Field serviceable and upgradeable LED board.
- IP66 rated.
- CREE 2 step binned LEDs with L70 over 80,000 hours.

SPECIFICATIONS

- **Construction:** 6061 aircraft-grade aluminum or raw brass
- **Finishes:** Architectural Bronze (AB), Stainless Aluminum (SSA), Brass (BR)
- **Lead Wire:** 36" 18 AWG tinned copper
- **Mounting:** 8" LV180 ground stake
- **Lens:** Clear flat
- **Driver System:** External
- **Operating Voltage:** 10.5-18 VAC
- **CRI:** 80+
- **Beam Spreads:** 12°, 25°, 40°, 60°



POWER CONSUMPTION

COLOR TEMPERATURE	WATTAGE	VA	LUMENS
● 3000K*	2W	4VA	190LM
	4W	7VA	330LM
	6W	10VA	460LM
	9W	15VA	660LM

ADDITIONAL COLOR TEMPERATURE OPTIONS

- 2700K ● 5000K ● Amber** ● Blue ● Royal Blue
- Green ● Red** ● Fuchsia ● Lavender

WARRANTY

20 Year Limited Warranty

CERTIFICATIONS

Tested to UL standards.



Intertek

*Indicates stocked items. Non-stocked items require 5-7 business days additional lead time, special order deposit and are non-refundable. Fuchsia and Lavender require additional lead time above the standard 5-7 business days.

**Amber not available in 6W or 9W and red not available in 9W.

IES files can be found at www.gardenlightled.com



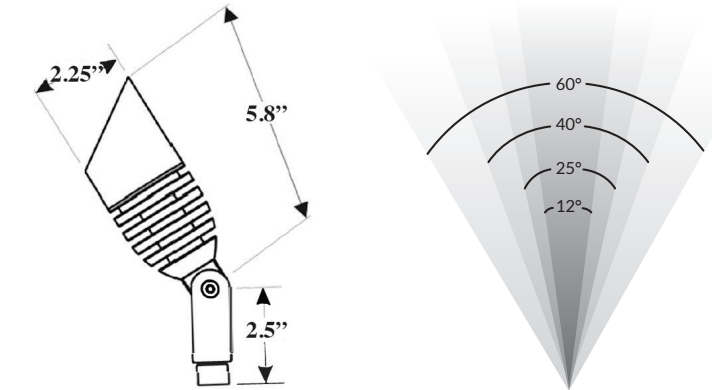
V2 | Visionary Series Spotlight

PRODUCT DESCRIPTION

Ideal for uplighting, shadowing, wall washing, silhouetting, and architectural accents.

The Visionary 2 Spotlight is Garden Light LED's #1 selling light for a reason. It sets the standard for high-quality, integrated LED landscape lighting at a very competitive price. Created with a horizontal heat sink that disperses excess heat away from the LEDs, this fixture is meant to last a lifetime.

PRODUCT DIMENSIONS & BEAM SPREADS



FEATURES & BENEFITS

- Built in the U.S.A.
- CNC-machined from 6061 aircraft-grade aluminum or raw brass.
- U.S.A. made light engine and driver.
- Built in surge protector.
- Adjustable knuckle for ease of light positioning.
- Compression fit lens.
- Breathable ant guard to eliminate insect infestation.
- Double silicone o-ring gaskets for a tight-fitting shroud.
- Field serviceable and upgradeable LED board.
- IP66 rated.
- CREE 2 step binned LEDs with L70 over 80,000 hours.

SPECIFICATIONS

- **Construction:** 6061 aircraft-grade aluminum or raw brass
- **Finishes:** Black (BLK), Stainless Aluminum (SSA), Brass (BR)
- **Lead Wire:** 36" 18 AWG tinned copper
- **Mounting:** 8" LV180 ground stake
- **Lens:** Clear flat
- **Driver System:** External
- **Operating Voltage:** 10.5-18 VAC
- **CRI:** 80+
- **Beam Spreads:** 12°, 25°, 40°, 60°



POWER CONSUMPTION

COLOR TEMPERATURE	WATTAGE	VA	LUMENS
● 3000K*	1W	2VA	130LM
	3W	6VA	210LM
	6W	10VA	280LM

ADDITIONAL COLOR TEMPERATURE OPTIONS

- 2700K ● 5000K ● Amber ● Blue ● Royal Blue
- Green ● Red ● Fuchsia ● Lavender

WARRANTY

20 Year Limited Warranty

CERTIFICATIONS

Tested to UL standards.



Intertek

*Indicates stocked items. Non-stocked items require 5-7 business days additional lead time, special order deposit and are non-refundable. Fuchsia and Lavender require additional lead time above the standard 5-7 business days.

IES files can be found at www.gardenlightled.com



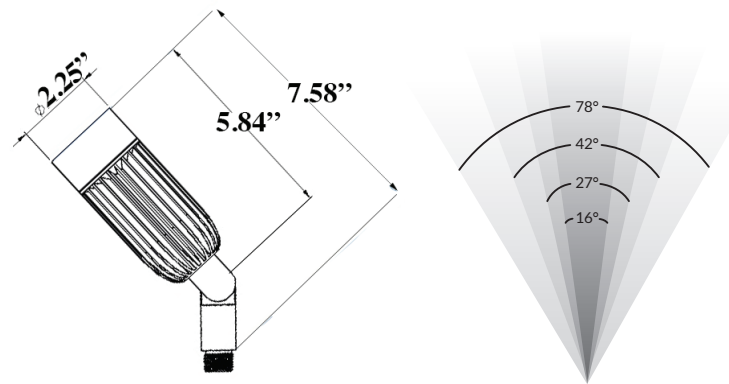
X5 | High Power Spotlight

PRODUCT DESCRIPTION

Ideal for uplighting, shadowing, wall washing, silhouetting, and architectural accents.

Gone are the bulky high voltage commercial grade lighting solutions. The X5 High Power Spotlight is an excellent flood light option. Great for lighting large tree canopies, structures, buildings and cast outdoor areas. The X5 can produce up to 1500 lumens!

PRODUCT DIMENSIONS & BEAM SPREADS



FEATURES & BENEFITS

- Built in the U.S.A.
- CNC-machined from 6061 aircraft-grade aluminum.
- U.S.A. made light engine and driver.
- Built in surge protector.
- Adjustable knuckle for ease of light positioning.
- Compression fit lens.
- Breathable ant guard to eliminate insect infestation.
- Double silicone o-ring gaskets for a tight-fitting shroud.
- IP66 rated.
- CREE 2 step binned LEDs with L70 over 80,000 hours.

SPECIFICATIONS

- **Construction:** 6061 aircraft-grade aluminum
- **Finishes:** Architectural Bronze (AB), Black (BLK), Stainless Aluminum (SSA)
- **Lead Wire:** 39" 18 AWG tinned copper
- **Mounting:** 8" LV180 ground stake
- **Lens:** Clear flat
- **Driver System:** External
- **Operating Voltage:** 10.5-18 VAC
- **CRI:** 80+
- **Beam Spreads:** 16°, 27°, 42°, 78°



OPTIONAL SHROUD AVAILABLE



POWER CONSUMPTION

COLOR TEMPERATURE	WATTAGE	VA	LUMENS
● 3000K*	11W 15W	14VA 18VA	1000LM 1500LM

WARRANTY

20 Year Limited Warranty

CERTIFICATIONS

Tested to UL standards.



*Indicates stocked items.

IES files can be found at www.gardenlightled.com



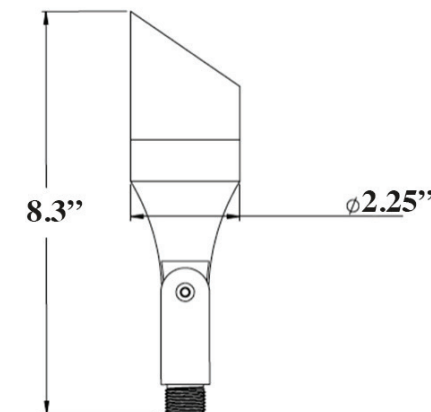
V1 | Visionary Series Spotlight

PRODUCT DESCRIPTION

Ideal for uplighting, shadowing, wall washing, silhouetting, and architectural accents.

This high-quality CNC Machined, E-Coated 6061 Aluminum and Raw Brass direction spotlight is designed to withstand the test of time. They are suitable for most LED MR16 lamps and available in 5 finishes to meet all your outdoor lighting needs.

PRODUCT DIMENSIONS



FEATURES & BENEFITS

- Built in the U.S.A.
- CNC-machined from 6061 aircraft-grade aluminum or raw brass.
- Adjustable knuckle for ease of light positioning.
- Compression fit lens.
- Double silicone o-ring gaskets for a tight-fitting shroud.
- Field serviceable.
- IP66 rated.

SPECIFICATIONS

- **Construction:** 6061 aircraft-grade aluminum or raw brass
- **Finishes:** Architectural Bronze (AB), Black (BLK), Stainless Aluminum (SSA), Brass (BR), Artisan Brass (ABR)
- **Lead Wire:** 56" 18AWG tinned copper
- **Mounting:** 8" LV180 ground stake
- **Lens:** Clear flat
- **Operating Voltage:** 12-15 VAC
- **Lamp:** MR16 (sold separately)



WARRANTY

20 Year Limited Warranty on Housing
3 Year Limited Warranty on Components

CERTIFICATIONS



Tested to UL standards.



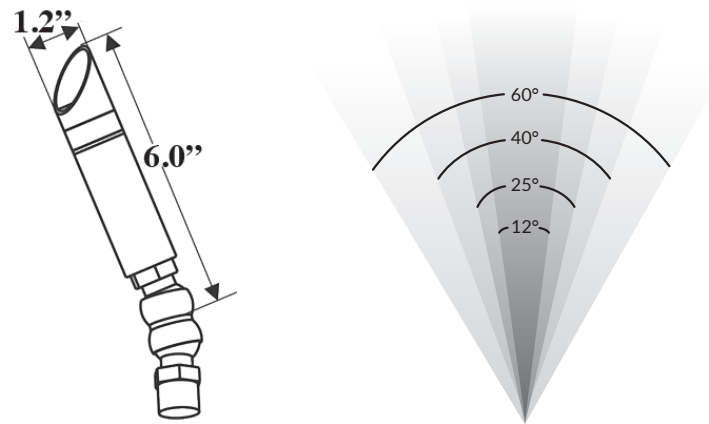
MS | Mini Spotlight with Knuckle

PRODUCT DESCRIPTION

Ideal for uplighting, shadowing, wall washing, silhouetting, and architectural accents.

The Mini Spotlight's compact design allows it to fit into tight spaces and be used to accent important landscaping and architectural features where larger fixtures will not work.

PRODUCT DIMENSIONS & BEAM SPREADS



FEATURES & BENEFITS

- Built in the U.S.A.
- CNC-machined from 6061 aircraft-grade aluminum or raw brass.
- U.S.A. made light engine and driver.
- Built in surge protector.
- Adjustable knuckle for ease of light positioning.
- IP66 rated.
- CREE 2 step binned LEDs with L70 over 80,000 hours.

SPECIFICATIONS

- **Construction:** 6061 aircraft-grade aluminum or raw brass
- **Finishes:** Architectural Bronze (AB), Black (BLK), Stainless Aluminum (SSA), Brass (BR)
- **Lead Wire:** 36" 18AWG tinned copper
- **Mounting:** 8" LV180 Ground Stake
- **Lens:** Clear flat
- **Driver System:** Internal
- **Operating Voltage:** 10.5-18 VAC
- **CRI:** 80+
- **Beam Spreads:** 12°, 25°, 40°, 60°



POWER CONSUMPTION

COLOR TEMPERATURE	WATTAGE	VA	LUMENS
● 3000K*	2W	5VA	230LM

ADDITIONAL COLOR TEMPERATURE OPTIONS

- 2700K ● 5000K ● Amber ● Blue ● Royal Blue
- Green ● Red

WARRANTY

20 Year Limited Warranty

CERTIFICATIONS



Tested to UL standards.

*Indicates stocked items. Non-stocked items require 5-7 business days additional lead time, special order deposit and are non-refundable.

IES files can be found at www.gardenlightled.com



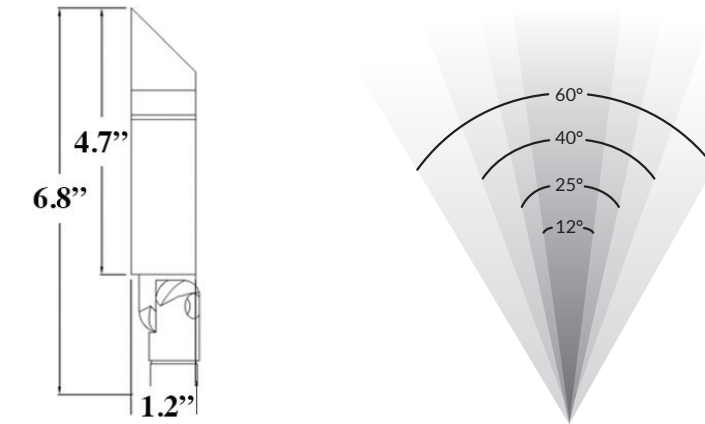
MSL | Mini Spotlight with Leg

PRODUCT DESCRIPTION

Ideal for uplighting, shadowing, wall washing, silhouetting, and architectural accents.

The Mini Spotlight's compact design allows it to fit into tight spaces and be used to accent important landscaping and architectural features where larger fixtures will not work.

PRODUCT DIMENSIONS & BEAM SPREADS



FEATURES & BENEFITS

- Built in the U.S.A.
- CNC-machined from 6061 aircraft-grade aluminum or raw brass.
- U.S.A. made light engine and driver.
- Built in surge protector.
- Adjustable knuckle for ease of light positioning.
- IP66 rated.
- CREE 2 step binned LEDs with L70 over 80,000 hours.

SPECIFICATIONS

- **Construction:** 6061 aircraft-grade aluminum or raw brass
- **Finishes:** Architectural Bronze (AB), Black (BLK), Stainless Aluminum (SSA), Brass (BR)
- **Lead Wire:** 36" 22AWG tinned copper
- **Mounting:** 8" LV180 ground stake
- **Lens:** Clear flat
- **Driver System:** Internal
- **Operating Voltage:** 10.5-18 VAC
- **CRI:** 80+
- **Beam Spreads:** 12°, 25°, 40°, 60°



POWER CONSUMPTION

COLOR TEMPERATURE	WATTAGE	VA	LUMENS
● 3000K*	2W	5VA	230LM

ADDITIONAL COLOR TEMPERATURE OPTIONS

- 2700K ● 5000K ● Amber ● Blue ● Royal Blue
- Green ● Red

WARRANTY

20 Year Limited Warranty

CERTIFICATIONS



Tested to UL standards.

*Indicates stocked items. Non-stocked items require 5-7 business days additional lead time, special order deposit and are non-refundable.

IES files can be found at www.gardenlightled.com



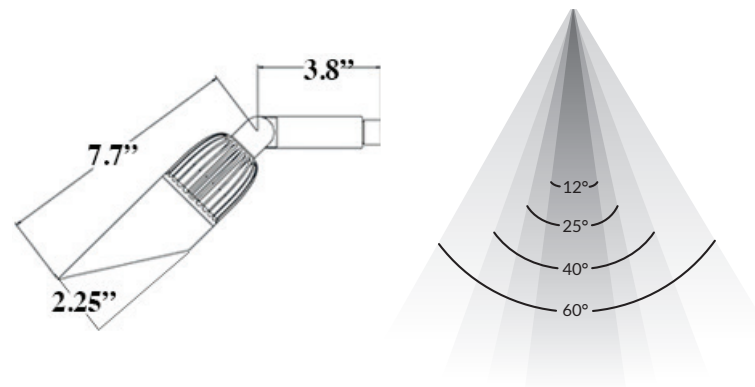
V3 DWN | Visionary Series Downlight

PRODUCT DESCRIPTION

Ideal for downlighting.

The Visionary 3 Downlight is perfect for moonlighting applications. Featuring an extended shroud for tighter focus over a long distance, this fixture creates safe and pleasing environments with the dramatic effect downlighting offers.

PRODUCT DIMENSIONS & BEAM SPREADS



FEATURES & BENEFITS

- Built in the U.S.A.
- CNC-machined from 6061 aircraft-grade aluminum.
- U.S.A. made light engine and driver.
- Built in surge protector.
- Adjustable knuckle for ease of light positioning.
- Double silicone o-ring gaskets for a tight-fitting shroud.
- Vertical heat sink that provides higher thermal resistance.
- Field serviceable and upgradeable LED board.
- IP66 rated.
- CREE 2 step binned LEDs with L70 over 80,000 hours.

SPECIFICATIONS

- **Construction:** 6061 aircraft-grade aluminum
- **Finishes:** Architectural Bronze (AB)
- **Lead Wire:** 36" 18 AWG tinned copper
- **Lens:** Clear flat
- **Driver System:** Internal
- **Operating Voltage:** 10.5-18 VAC
- **CRI:** 80+
- **Beam Spreads:** 12°, 25°, 40°, 60°
- **Accessories:** Tree mounts and straps (not included)



POWER CONSUMPTION

COLOR TEMPERATURE	WATTAGE	VA	LUMENS
● 3000K*	3W	6VA	190LM
	4W	7VA	330LM
	6W	10VA	460LM
	9W	15VA	620LM

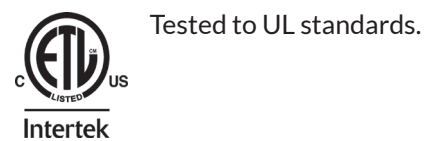
ADDITIONAL COLOR TEMPERATURE OPTIONS

- 2700K ● 5000K ● Amber** ● Blue ● Royal Blue
- Green ● Red** ● Fuchsia ● Lavender

WARRANTY

20 Year Limited Warranty

CERTIFICATIONS



*Indicates stocked items. Non-stocked items require 5-7 business days additional lead time, special order deposit and are non-refundable. Fuchsia and Lavender require additional lead time above the standard 5-7 business days.
**Amber not available in 6W or 9W and red not available in 9W.

IES files can be found at www.gardenlightled.com



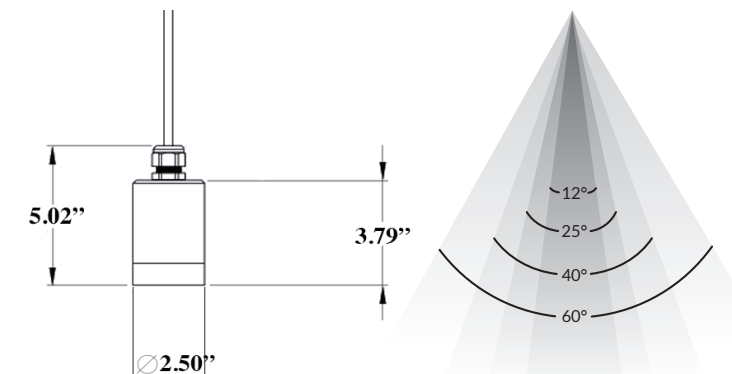
HL | Hanging Light

PRODUCT DESCRIPTION

Ideal for downlighting gazebos and architectural structures.

Garden Light LED's Hanging Light is designed to set your clients' outdoor space apart from the rest. Create a unique, dramatic feel idea for outdoor bar areas, gazebos, outdoor kitchens, architectural structures and more.

PRODUCT DIMENSIONS & BEAM SPREADS



FEATURES & BENEFITS

- Built in the U.S.A.
- CNC-machined from 6061 aircraft-grade aluminum or raw brass.
- U.S.A. made light engine and driver.
- Built in surge protector.
- IP66 rated.
- CREE 2 step binned LEDs with L70 over 80,000 hours.

SPECIFICATIONS

- **Construction:** 6061 aircraft-grade aluminum or raw brass
- **Finishes:** Stainless Aluminum (SSA), Brass (BR)
- **Lead Wire:** 15ft 18 AWG SJEOOW tinned copper
- **Lens:** Clear flat
- **Driver System:** Internal
- **Operating Voltage:** 10.5-18 VAC
- **CRI:** 80+
- **Beam Spreads:** 12°, 25°, 40°, 60°



POWER CONSUMPTION

COLOR TEMPERATURE	WATTAGE	VA	LUMENS
● 3000K*	2W	4VA	160LM
	4W	7VA	400LM
	6W	10VA	540LM
	9W	15VA	740LM

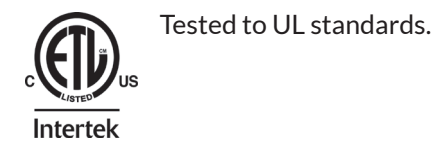
ADDITIONAL COLOR TEMPERATURE OPTIONS

- 2700K ● 5000K ● Amber** ● Blue ● Royal Blue
- Green ● Red** ● Fuchsia ● Lavender

WARRANTY

20 Year Limited Warranty

CERTIFICATIONS



*Indicates stocked items. Non-stocked items require 5-7 business days additional lead time, special order deposit and are non-refundable. Fuchsia and Lavender require additional lead time above the standard 5-7 business days.
**Amber not available in 6W or 9W and red not available in 9W.

IES files can be found at www.gardenlightled.com



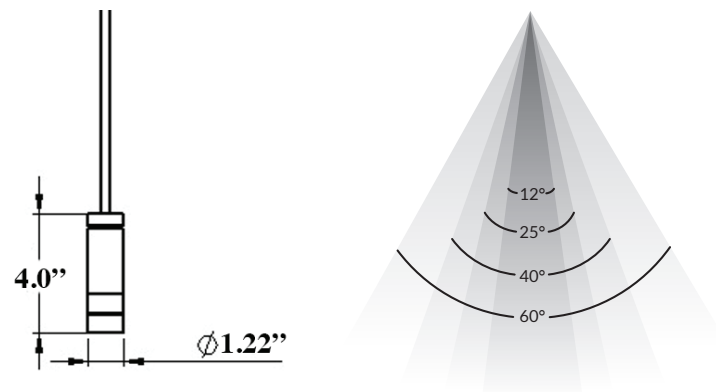
MHL | Mini Hanging Light

PRODUCT DESCRIPTION

Ideal for downlighting gazebos and architectural structures.

Garden Light LED's Mini Hanging Light is designed to set your clients' outdoor space apart from the rest. Create a unique, dramatic feel idea for outdoor bar areas, gazebos, outdoor kitchens, architectural structures and more.

PRODUCT DIMENSIONS & BEAM SPREADS



FEATURES & BENEFITS

- Built in the U.S.A.
- CNC-machined from 6061 aircraft-grade aluminum or raw brass.
- U.S.A. made light engine and driver.
- Built in surge protector.
- IP66 rated.
- CREE 2 step binned LEDs with L70 over 80,000 hours.

SPECIFICATIONS

- **Construction:** 6061 aircraft-grade aluminum or raw brass
- **Finishes:** Stainless Aluminum (SSA), Brass (BR)
- **Lead Wire:** 15ft 18 AWG SJEOOW tinned copper
- **Lens:** Clear flat
- **Driver System:** Internal
- **Operating Voltage:** 10.5-18 VAC
- **CRI:** 80+
- **Beam Spreads:** 12°, 25°, 40°, 60°



COLOR TEMPERATURE	WATTAGE	VA	LUMENS
3000K*	2W	5VA	230LM

ADDITIONAL COLOR TEMPERATURE OPTIONS

- 2700K 5000K Amber** Blue Royal Blue
- Green Red**

WARRANTY

20 Year Limited Warranty

CERTIFICATIONS

Tested to UL standards.



*Indicates stocked items. Non-stocked items require 5-7 business days additional lead time, special order deposit and are non-refundable.

IES files can be found at www.gardenlightled.com



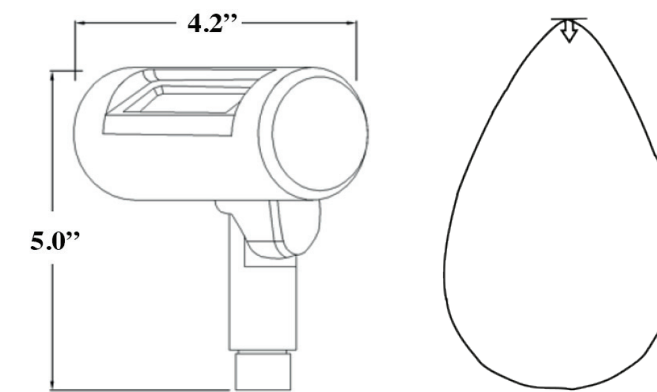
WW | Wall Washer

PRODUCT DESCRIPTION

Ideal for uplighting, shadowing, wall washing, silhouetting, and architectural accents.

This full size Wall Washer is as functional as it is long lasting and reliable. With an even light output great for signage, property entrances and textured walls, this fixture adds beauty and security to any design.

PRODUCT DIMENSIONS & BEAM SPREAD



FEATURES & BENEFITS

- Built in the U.S.A.
- CNC-machined from 6061 aircraft-grade aluminum or raw brass.
- U.S.A. made light engine and driver.
- Built in surge protector.
- Adjustable knuckle for ease of light positioning.
- Field serviceable.
- IP66 rated.
- CREE 2 step binned LEDs with L70 over 80,000 hours.

SPECIFICATIONS

- **Construction:** 6061 aircraft-grade aluminum or raw brass
- **Finishes:** Architectural Bronze (AB), Black (BLK), Stainless Aluminum (SSA), Brass (BR)
- **Lead Wire:** 36" 18 AWG tinned copper
- **Mounting:** 8" LV180 ground stake
- **Lens:** Frosted flat
- **Driver System:** External
- **Operating Voltage:** 10.5-18 VAC
- **CRI:** 80+
- **Beam Spreads:** Flood

POWER CONSUMPTION

COLOR TEMPERATURE	WATTAGE	VA	LUMENS
3000K*	2W	4VA	130LM
	4W	7VA	210LM
	6W	11VA	280LM
	9W	15VA	380LM

ADDITIONAL COLOR TEMPERATURE OPTIONS

- 2700K 5000K Amber** Blue Royal Blue
- Green Red**

WARRANTY

20 Year Limited Warranty

CERTIFICATIONS

Tested to UL standards.



*Indicates stocked items. Non-stocked items require 5-7 business days additional lead time, special order deposit and are non-refundable.
**Amber not available in 6W or 9W and red not available in 9W.

IES files can be found at www.gardenlightled.com



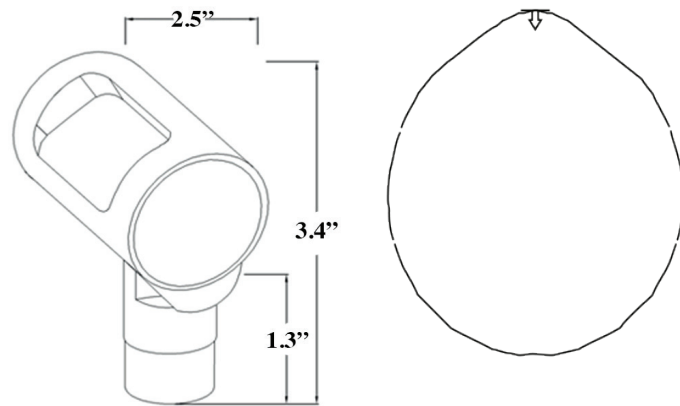
MWW | Mini Wall Washer

PRODUCT DESCRIPTION

Ideal for uplighting, shadowing, wall washing, silhouetting, and architectural accents.

Like its bigger counterpart, the Wall Washer, the Mini Wall Washer can create fantastic effects while remaining out of sight.

PRODUCT DIMENSIONS & BEAM SPREAD



FEATURES & BENEFITS

- Built in the U.S.A.
- CNC-machined from 6061 aircraft-grade aluminum or raw brass.
- U.S.A. made light engine and driver.
- Built in surge protector.
- Adjustable knuckle for ease of light positioning.
- IP66 rated.
- CREE 2 step binned LEDs with L70 over 80,000 hours.

SPECIFICATIONS

- **Construction:** 6061 aircraft-grade aluminum or raw brass
- **Finishes:** Architectural Bronze (AB), Black (BLK), Stainless Aluminum (SSA), Brass (BR)
- **Lead Wire:** 36" 18 AWG tinned copper
- **Mounting:** 8" LV180 ground stake
- **Lens:** Frosted flat
- **Driver System:** External
- **Operating Voltage:** 10.5-18 VAC
- **CRI:** 80+
- **Beam Spreads:** Flood



POWER CONSUMPTION

COLOR TEMPERATURE	WATTAGE	VA	LUMENS
3000K*	2W	5VA	160LM

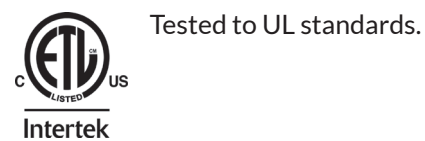
ADDITIONAL COLOR TEMPERATURE OPTIONS

- 2700K • 5000K • Amber • Blue • Royal Blue
- Green • Red

WARRANTY

20 Year Limited Warranty

CERTIFICATIONS



*Indicates stocked items. Non-stocked items require 5-7 business days additional lead time, special order deposit and are non-refundable.

IES files can be found at www.gardenlightled.com



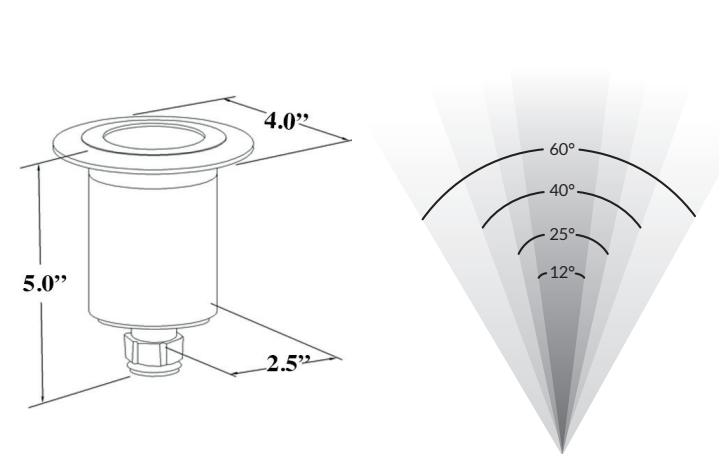
WL | Well Light

PRODUCT DESCRIPTION

Ideal for uplighting, shadowing, wall washing, silhouetting, and architectural accents.

The Well Light provides the perfect in-grade solution for uplighting on landscapes and hardscapes. Great for illuminating garage doors, architectural accents and so much more.

PRODUCT DIMENSIONS & BEAM SPREADS



FEATURES & BENEFITS

- Built in the U.S.A.
- CNC-machined from 6061 aircraft-grade aluminum or raw brass.
- U.S.A. made light engine and driver.
- Built in surge protector.
- Strong enough to withstand pressure washers.
- IP67 rated.
- CREE 2 step binned LEDs with L70 over 80,000 hours.

SPECIFICATIONS

- **Construction:** 6061 aircraft-grade aluminum or raw brass
- **Finishes:** Stainless Aluminum (SSA), Brass (BR)
- **Lead Wire:** 58" 18 AWG SJEOOW tinned copper
- **Lens:** Clear flat
- **Driver System:** Internal
- **Operating Voltage:** 10.5-18 VAC
- **CRI:** 80+
- **Beam Spreads:** 12°, 25°, 40°, 60°

POWER CONSUMPTION

COLOR TEMPERATURE	WATTAGE	VA	LUMENS
3000K*	2W	4VA	160LM
	4W	7VA	400LM
	6W	10VA	540LM
	9W	15VA	740LM

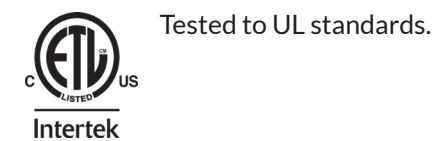
ADDITIONAL COLOR TEMPERATURE OPTIONS

- 2700K • 5000K • Amber** • Blue • Royal Blue
- Green • Red** • Fuchsia • Lavender

WARRANTY

20 Year Limited Warranty

CERTIFICATIONS



*Indicates stocked items. Non-stocked items require 5-7 business days additional lead time, special order deposit and are non-refundable. Fuchsia and Lavender require additional lead time above the standard 5-7 business days.

**Amber not available in 6W or 9W and red not available in 9W.

IES files can be found at www.gardenlightled.com



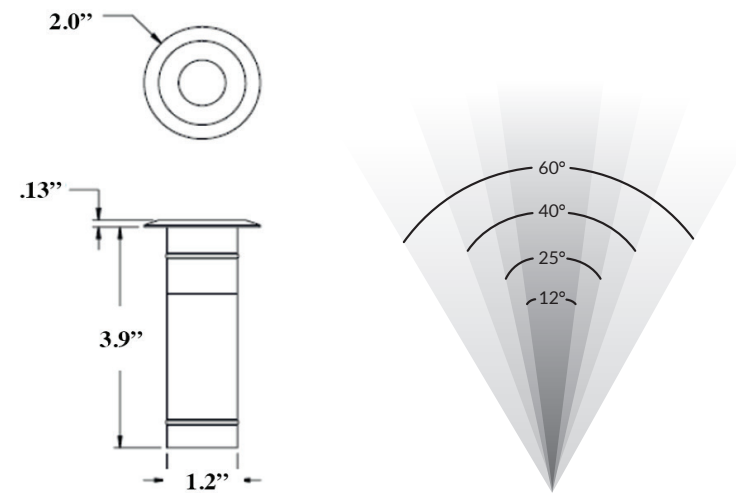
MWL | Mini Well Light

PRODUCT DESCRIPTION

Ideal for uplighting, shadowing, wall washing, silhouetting, and architectural accents.

Good things really do come in small packages. The Mini Well Light has a variety of uses with its flush-mount installation directly into any surface. Unobtrusive and powerful, this fixture is built to last a lifetime.

PRODUCT DIMENSIONS & BEAM SPREADS



FEATURES & BENEFITS

- Built in the U.S.A.
- CNC-machined from 6061 aircraft-grade aluminum or raw brass.
- U.S.A. made light engine and driver.
- Built in surge protector.
- Strong enough to withstand pressure washers.
- IP67 rated.
- CREE 2 step binned LEDs with L70 over 80,000 hours.

SPECIFICATIONS

- **Construction:** 6061 aircraft-grade aluminum or raw brass
- **Finishes:** Stainless Aluminum (SSA), Brass (BR)
- **Lead Wire:** 36" 18 AWG tinned copper
- **Lens:** Clear flat
- **Driver System:** Internal
- **Operating Voltage:** 10.5-18 VAC
- **CRI:** 80+
- **Beam Spreads:** 12°, 25°, 40°, 60°



COLOR TEMPERATURE	WATTAGE	VA	LUMENS
3000K*	2W	5VA	230LM

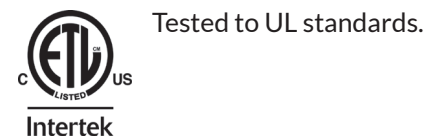
ADDITIONAL COLOR TEMPERATURE OPTIONS

- 2700K
- 5000K
- Amber
- Blue
- Royal Blue
- Green
- Red

WARRANTY

20 Year Limited Warranty

CERTIFICATIONS



*Indicates stocked items. Non-stocked items require 5-7 business days additional lead time, special order deposit and are non-refundable.

IES files can be found at www.gardenlightled.com



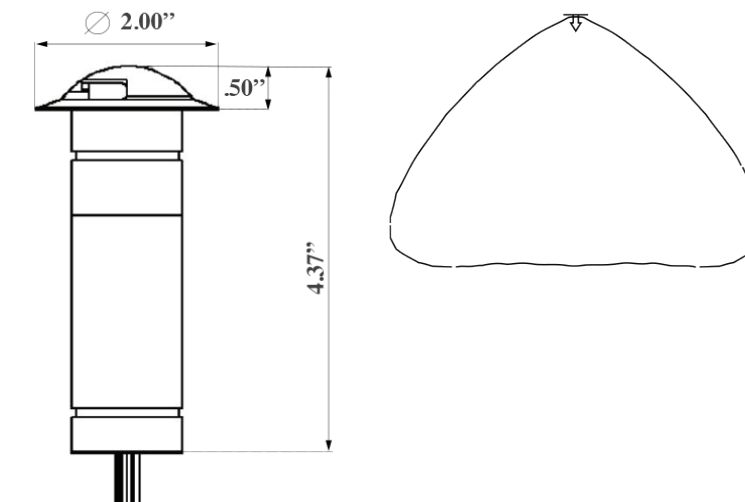
EAGLE EYE | Predator Series Recessed Light

PRODUCT DESCRIPTION

Ideal for architectural accents and flat surfaces.

Released as part of the Predator Series line of professional lighting solutions, the Eagle Eye is perfect for any specialty lighting applications such as deck and step lighting as well as architectural accents.

PRODUCT DIMENSIONS & BEAM SPREADS



COLOR TEMPERATURE	WATTAGE	VA	LUMENS
3000K*	2W	5VA	110LM

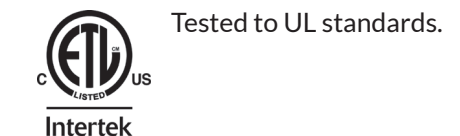
ADDITIONAL COLOR TEMPERATURE OPTIONS

- 2700K
- 5000K
- Amber
- Blue
- Royal Blue
- Green
- Red

WARRANTY

20 Year Limited Warranty

CERTIFICATIONS



*Indicates stocked items. Non-stocked items require 5-7 business days additional lead time, special order deposit and are non-refundable.

IES files can be found at www.gardenlightled.com

FEATURES & BENEFITS

- Built in the U.S.A.
- CNC-machined from 6061 aircraft-grade aluminum or raw brass.
- U.S.A. made light engine and driver.
- Built in surge protector.
- Strong enough to withstand pressure washers.
- IP67 rated.
- CREE 2 step binned LEDs with L70 over 80,000 hours.

SPECIFICATIONS

- **Construction:** 6061 aircraft-grade aluminum or raw brass
- **Finishes:** Stainless Aluminum (SSA), Brass (BR)
- **Lead Wire:** 36" 18 AWG tinned copper
- **Lens:** Frosted flat
- **Driver System:** Internal
- **Operating Voltage:** 10.5-18 VAC
- **CRI:** 80+



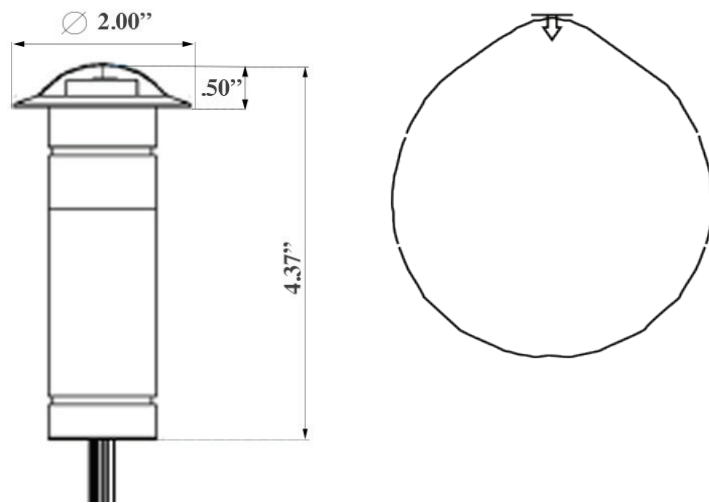
HAWK EYE | Predator Series Recessed Light

PRODUCT DESCRIPTION

Ideal for architectural accents and stairs.

The Hawk Eye is a great choice when tasked to create an elegant yet safe design. This light casts the perfect beam of light forward and side to side creating depth and perspective.

PRODUCT DIMENSIONS & BEAM SPREADS



FEATURES & BENEFITS

- Built in the U.S.A.
- CNC-machined from 6061 aircraft-grade aluminum or raw brass.
- U.S.A. made light engine and driver.
- Built in surge protector.
- Strong enough to withstand pressure washers.
- IP67 rated.
- CREE 2 step binned LEDs with L70 over 80,000 hours.

SPECIFICATIONS

- **Construction:** 6061 aircraft-grade aluminum or raw brass
- **Finishes:** Stainless Aluminum (SSA), Brass (BR)
- **Lead Wire:** 36" 18 AWG tinned copper
- **Lens:** Frosted flat
- **Driver System:** Internal
- **Operating Voltage:** 10.5-18 VAC
- **CRI:** 80+



COLOR TEMPERATURE	WATTAGE	VA	LUMENS
3000K*	2W	5VA	115LM

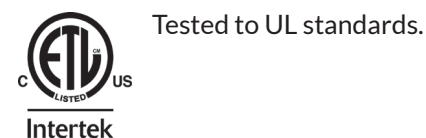
ADDITIONAL COLOR TEMPERATURE OPTIONS

- 2700K
- 5000K
- Amber
- Blue
- Royal Blue
- Green
- Red

WARRANTY

20 Year Limited Warranty

CERTIFICATIONS



*Indicates stocked items. Non-stocked items require 5-7 business days additional lead time, special order deposit and are non-refundable.

IES files can be found at www.gardenlightled.com



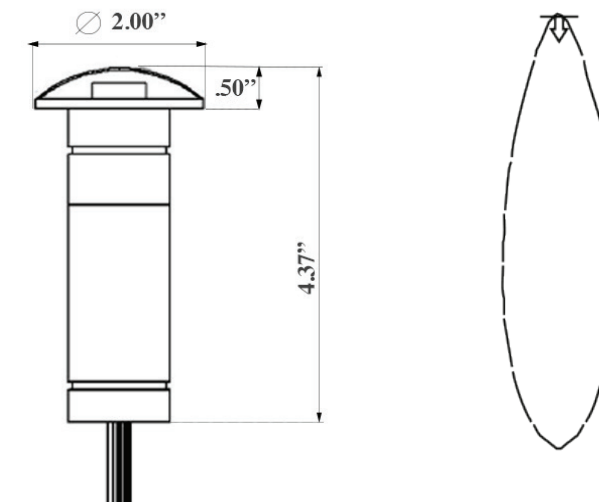
FALCON EYE | Predator Series Recessed Light

PRODUCT DESCRIPTION

Ideal for defining borders of high-traffic areas.

The Falcon Eye specialty recessed light fixture creates the perfect narrow beam for many outdoor applications. Simple and elegant, this fixture offers beauty and safety all at the same time.

PRODUCT DIMENSIONS & BEAM SPREADS



FEATURES & BENEFITS

- Built in the U.S.A.
- CNC-machined from 6061 aircraft-grade aluminum or raw brass.
- U.S.A. made light engine and driver.
- Built in surge protector.
- Strong enough to withstand pressure washers.
- IP67 rated.
- CREE 2 step binned LEDs with L70 over 80,000 hours.

SPECIFICATIONS

- **Construction:** 6061 aircraft-grade aluminum or raw brass
- **Finishes:** Stainless Aluminum (SSA), Brass (BR)
- **Lead Wire:** 36" 18 AWG tinned copper
- **Lens:** Frosted flat
- **Driver System:** Internal
- **Operating Voltage:** 10.5-18 VAC
- **CRI:** 80+



COLOR TEMPERATURE	WATTAGE	VA	LUMENS
3000K*	2W	5VA	105LM

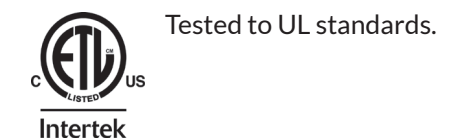
ADDITIONAL COLOR TEMPERATURE OPTIONS

- 2700K
- 5000K
- Amber
- Blue
- Royal Blue
- Green
- Red

WARRANTY

20 Year Limited Warranty

CERTIFICATIONS



*Indicates stocked items. Non-stocked items require 5-7 business days additional lead time, special order deposit and are non-refundable.

IES files can be found at www.gardenlightled.com



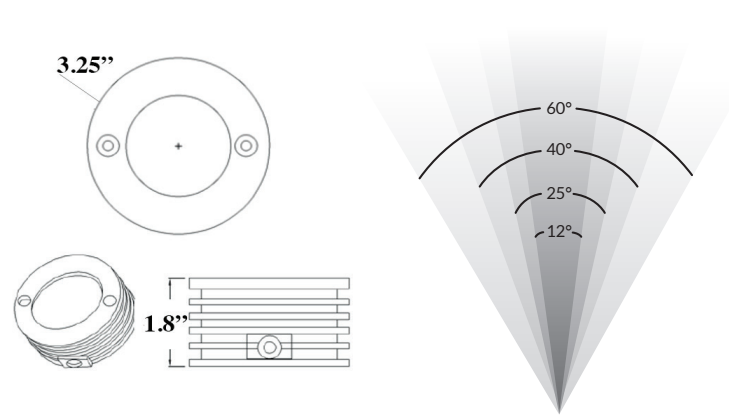
S3 | Submersible Super Saturn

PRODUCT DESCRIPTION

Ideal for docks, ponds, tanks, pools, uplighting, and downlighting.

Make water features truly shine! Durable and completely waterproof, the S3 Submersible Super Saturn is available in 10 rich color temperatures—giving you the flexibility to provide a wide range of water-based lighting effects.

PRODUCT DIMENSIONS & BEAM SPREADS



FEATURES & BENEFITS

- Built in the U.S.A.
- CNC-machined from 6061 aircraft-grade aluminum or stainless steel
- U.S.A. made light engine and driver.
- Built in surge protector.
- Fully submersible.
- IP68 rated.
- CREE 2 step binned LEDs with L70 over 80,000 hours.

SPECIFICATIONS

- **Construction:** 6061 aircraft-grade aluminum or stainless steel
- **Finishes:** Black (BLK), Stainless Steel (SS)
- **Lead Wire:** 5ft SJE00W 18 AWG tinned copper (BLK) and 20ft SJE00W 18 AWG tinned copper (SS)
- **Lens:** Clear flat
- **Driver System:** Internal
- **Operating Voltage:** 10.5-18 VAC
- **CRI:** 80+
- **Beam Spreads:** 12°, 25°, 40°, 60°
- **Accessories:** Swivel mounting bracket (not included)



SS

BLK

POWER CONSUMPTION

COLOR TEMPERATURE	WATTAGE	VA	LUMENS
● 3000K*	2W	4VA	110LM
	4W	7VA	190LM
	6W	10VA	330LM
	9W	15VA	630LM

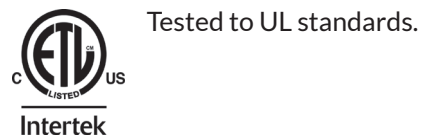
ADDITIONAL COLOR TEMPERATURE OPTIONS

- 2700K ● 5000K ● Amber** ● Blue ● Royal Blue
- Green ● Red** ● Fuchsia ● Lavender

WARRANTY

20 Year Limited Warranty

CERTIFICATIONS



APPLICATION RESTRICTIONS

Stainless Steel Finish- Fresh Water, Salt Water, Chlorinated Water, Fish Ponds and Fish Tanks. **9W for installation in submersible applications ONLY.**

Black Finish- Fresh water, Fish Ponds and Fish Tanks. **NOT suitable for salt or chlorinated water.**

*Indicates stocked items. Non-stocked items require 5-7 business days additional lead time, special order deposit and are non-refundable. Fuchsia and Lavender require additional lead time above the standard 5-7 business days.

**Amber not available in 6W or 9W and red not available in 9W.

IES files can be found at www.gardenlightled.com



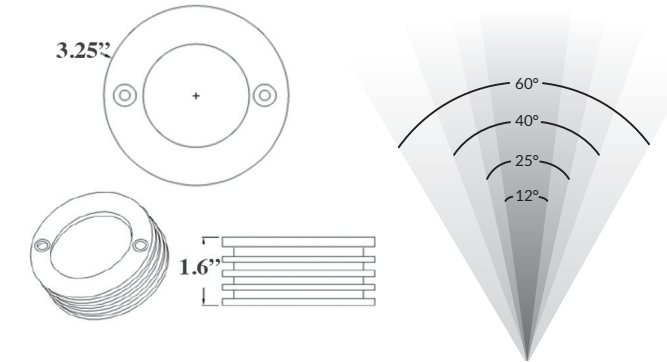
S2 | Super Saturn

PRODUCT DESCRIPTION

Ideal for uplighting, downlighting, shadowing, wall washing, silhouetting, and architectural accents.

The S2 Super Saturn is our Visionary 2 series lighting re-designed in a surface mount housing. This light opens up a whole new range of opportunities landscape accenting and highlighting water features.

PRODUCT DIMENSIONS & BEAM SPREADS



FEATURES & BENEFITS

- Built in the U.S.A.
- CNC-machined from 6061 aircraft-grade aluminum or raw brass.
- U.S.A. made light engine and driver.
- Built in surge protector.
- IP67 rated.
- CREE 2 step binned LEDs with L70 over 80,000 hours.

SPECIFICATIONS

- **Construction:** 6061 aircraft-grade aluminum or raw brass
- **Finishes:** Black (BLK), Stainless Aluminum (SSA), Brass (BR)
- **Lead Wire:** 36" 18 AWG tinned copper
- **Lens:** Clear flat
- **Driver System:** External
- **Operating Voltage:** 10.5-18 VAC
- **CRI:** 80+
- **Beam Spreads:** 12°, 25°, 40°, 60°
- **Accessories:** Swivel mounting bracket (not included)



BR

SSA

BLK

POWER CONSUMPTION

COLOR TEMPERATURE	WATTAGE	VA	LUMENS
● 3000K*	1W	2VA	210LM
	3W	6VA	340LM
	6W	10VA	480LM

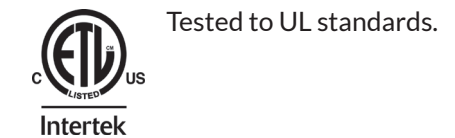
ADDITIONAL COLOR TEMPERATURE OPTIONS

- 2700K ● 5000K ● Amber ● Blue ● Royal Blue
- Green ● Red ● Fuchsia ● Lavender

WARRANTY

20 Year Limited Warranty

CERTIFICATIONS



*Indicates stocked items. Non-stocked items require 5-7 business days additional lead time, special order deposit and are non-refundable. Fuchsia and Lavender require additional lead time above the standard 5-7 business days.

IES files can be found at www.gardenlightled.com



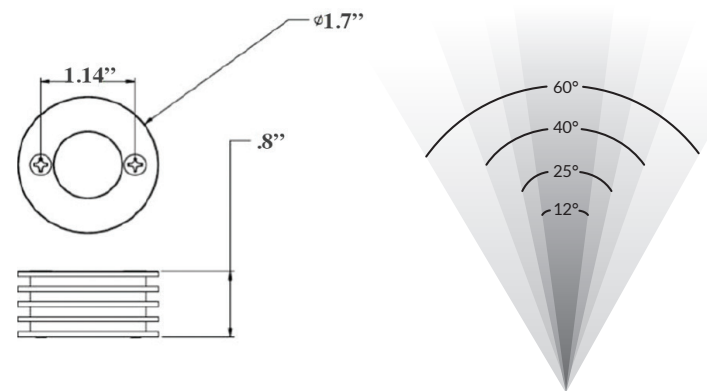
S1 | Mini Saturn

PRODUCT DESCRIPTION

Ideal for uplighting, shadowing, wall washing, silhouetting, architectural accents, and downlighting.

The S1 Mini Saturn has a clean and compact design but packs a powerful punch. This fixture is perfect for just about anywhere.

PRODUCT DIMENSIONS & BEAM SPREADS



FEATURES & BENEFITS

- Built in the U.S.A.
- CNC-machined from 6061 aircraft-grade aluminum or raw brass.
- U.S.A. made light engine and driver.
- Built in surge protector.
- IP66 rated.
- CREE 2 step binned LEDs with L70 over 80,000 hours.

SPECIFICATIONS

- **Construction:** 6061 aircraft-grade aluminum or raw brass
- **Finishes:** Black (BLK), Brass (BR)
- **Lead Wire:** 36" 18 AWG tinned copper
- **Lens:** Clear flat
- **Driver System:** External
- **Operating Voltage:** 10.5-18 VAC
- **CRI:** 80+
- **Beam Spreads:** 12°, 25°, 40°, 60°
- **Accessories:** Swivel mounting bracket or shroud (not included)



POWER CONSUMPTION

COLOR TEMPERATURE	WATTAGE	VA	LUMENS
● 3000K*	2W	5VA	180LM

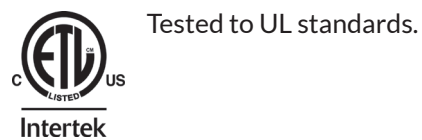
ADDITIONAL COLOR TEMPERATURE OPTIONS

- 2700K ● 5000K ● Amber ● Blue ● Royal Blue ● Green ● Red

WARRANTY

20 Year Limited Warranty

CERTIFICATIONS



*Indicates stocked items. Non-stocked items require 5-7 business days additional lead time, special order deposit and are non-refundable.

IES files can be found at www.gardenlightled.com



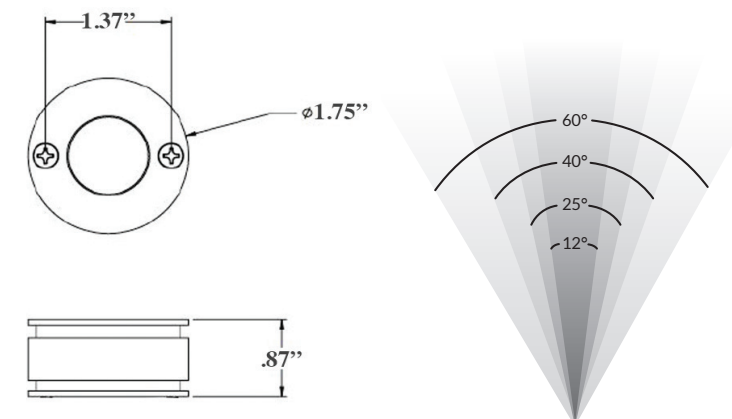
S1H | Saturn Halo (Submersible)

PRODUCT DESCRIPTION

Ideal for uplighting, shadowing, wall washing, silhouetting, architectural accents, downlighting, and fountains.

Like its counterpart the S1 Mini Saturn, the S1 Saturn Halo is also small and compact. With a built-in driver, this fixture can be used virtually anywhere.

PRODUCT DIMENSIONS & BEAM SPREADS

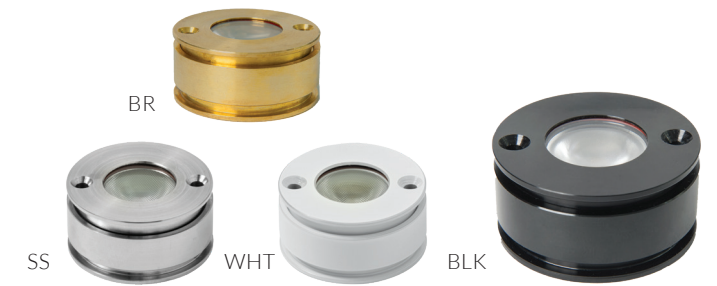


FEATURES & BENEFITS

- Built in the U.S.A.
- CNC-machined from 6061 aircraft-grade aluminum, stainless steel or raw brass.
- U.S.A. made light engine and driver.
- Built in surge protector.
- Fully submersible.
- IP68 rated.**
- CREE 2 step binned LEDs with L70 over 80,000 hours.

SPECIFICATIONS

- **Construction:** 6061 aircraft-grade aluminum, stainless steel or raw brass
- **Finishes:** Black (BLK), White (WHT), Stainless Steel (SS), Brass (BR)
- **Lead Wire:** 60" 22 AWG tinned copper
- **Lens:** Clear flat
- **Driver System:** Internal
- **Operating Voltage:** 10.5-18 VAC
- **CRI:** 80+
- **Beam Spreads:** 12°, 25°, 40°, 60°
- **Accessories:** Swivel mounting bracket and shroud (not included)



POWER CONSUMPTION

COLOR TEMPERATURE	WATTAGE	VA	LUMENS
● 3000K*	1W	2VA	130LM

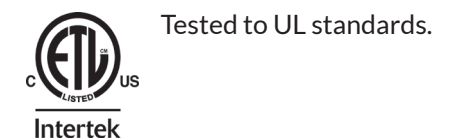
ADDITIONAL COLOR TEMPERATURE OPTIONS

- 2700K ● 5000K ● Amber ● Blue ● Royal Blue ● Green ● Red

WARRANTY

20 Year Limited Warranty

CERTIFICATIONS



APPLICATION RESTRICTIONS

Black Finish- Fresh water, Fish Ponds and Fish Tanks. **NOT suitable for salt or chlorinated water. No harsh chemicals.**

Stainless Steel Finish- Fresh Water, Salt Water, Chlorinated Water, Fish Ponds and Fish Tanks.

Brass Finish- Fresh water **ONLY. NOT suitable for fish.**

****White Finish- NOT suitable for underwater applications.**

*Indicates stocked items. Non-stocked items require 5-7 business days additional lead time, special order deposit and are non-refundable.

IES files can be found at www.gardenlightled.com



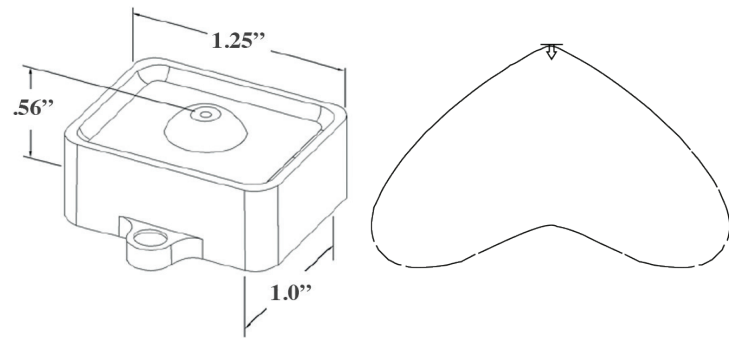
MM15-II | Micro Max

PRODUCT DESCRIPTION

Ideal for railings, water features, ceiling beam downlighting, walkways, decks, gazebos, statues, planters, lanais, fences, fire pits and benches.

The Micro Max is an LED luminaire you simply cannot get anywhere else. The potential applications for this small outdoor landscape lighting product are as unlimited as the imagination. Small and powerful, this fixture can add life to water features and safety to the areas that surround it.

PRODUCT DIMENSIONS & BEAM SPREAD

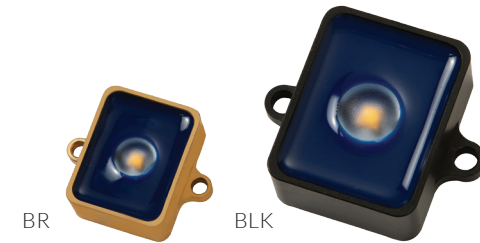


FEATURES & BENEFITS

- Built in the U.S.A.
- CNC-machined from 6061 aircraft-grade aluminum or raw brass.
- U.S.A. made light engine and driver.
- Built in surge protector.
- IP67 rated. (Fully submersible option available upon special order request)
- CREE 2 step binned LEDs with L70 over 80,000 hours.

SPECIFICATIONS

- **Construction:** 6061 aircraft-grade aluminum or raw brass
- **Finishes:** Black (BLK), Brass (BR)
- **Lead Wire:** 60" 22 AWG tinned copper
- **Driver System:** Internal
- **Operating Voltage:** 10.5-18 VAC
- **CRI:** 80+
- **Beam Spread:** 120°
- **Accessories:** Full or front shields (not included)



POWER CONSUMPTION

COLOR TEMPERATURE	WATTAGE	VA	LUMENS
● 3000K*	1W	2VA	115LM

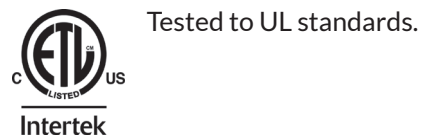
ADDITIONAL COLOR TEMPERATURE OPTIONS

- 2700K ● 5000K ● Amber ● Blue ● Royal Blue
- Green ● Red

WARRANTY

20 Year Limited Warranty

CERTIFICATIONS



*Indicates stocked items. Non-stocked items require 5-7 business days additional lead time, special order deposit and are non-refundable.

IES files can be found at www.gardenlightled.com



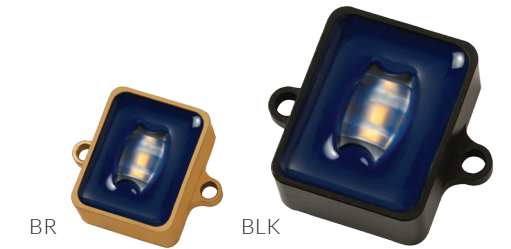
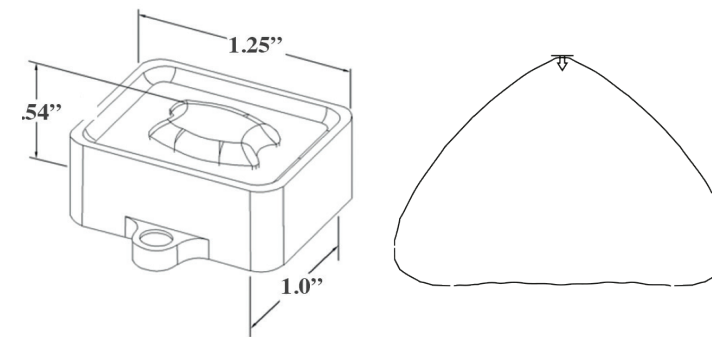
TIGER EYE | Micro Series Specialty Light

PRODUCT DESCRIPTION

Ideal for railings and walkways.

The Tiger Eye Micro Series produces a very even light level with a rectangular beam pattern directly beneath the mounting position, making it a great choice for railings and walkways.

PRODUCT DIMENSIONS & BEAM SPREAD



POWER CONSUMPTION

COLOR TEMPERATURE	WATTAGE	VA	LUMENS
● 3000K*	1W	2VA	115LM

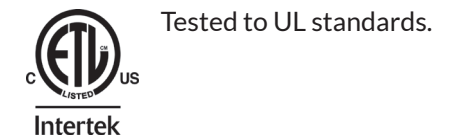
ADDITIONAL COLOR TEMPERATURE OPTIONS

- 2700K ● 5000K ● Amber ● Blue ● Royal Blue
- Green ● Red

WARRANTY

20 Year Limited Warranty

CERTIFICATIONS



*Indicates stocked items. Non-stocked items require 5-7 business days additional lead time, special order deposit and are non-refundable.

IES files can be found at www.gardenlightled.com

FEATURES & BENEFITS

- Built in the U.S.A.
- CNC-machined from 6061 aircraft-grade aluminum or raw brass.
- U.S.A. made light engine and driver.
- Built in surge protector.
- IP67 rated. (Fully submersible option available upon special order request)
- CREE 2 step binned LEDs with L70 over 80,000 hours.

SPECIFICATIONS

- **Construction:** 6061 aircraft-grade aluminum or raw brass
- **Finishes:** Black (BLK), Brass (BR)
- **Lead Wire:** 60" 22 AWG tinned copper
- **Driver System:** Internal
- **Operating Voltage:** 10.5-18 VAC
- **CRI:** 80+
- **Accessories:** Full or front shields (not included)



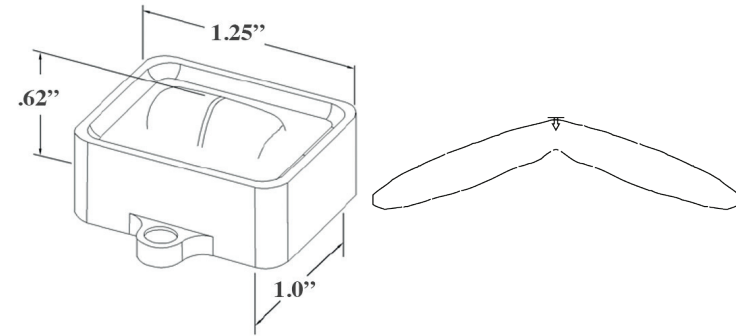
OWL | Micro Series Specialty Light

PRODUCT DESCRIPTION

Ideal for benches, countertops, stonewalls, and garages.

With its long linear beam, the Owl Micro Series fixture is your go-to light for outdoor living spaces. With this oblong optic, you can use less fixtures than when using traditional accent lights.

PRODUCT DIMENSIONS & BEAM SPREAD



FEATURES & BENEFITS

- Built in the U.S.A.
- CNC-machined from 6061 aircraft-grade aluminum or raw brass.
- U.S.A. made light engine and driver.
- Built in surge protector.
- IP67 rated. (Fully submersible option available upon special order request)
- CREE 2 step binned LEDs with L70 over 80,000 hours.

SPECIFICATIONS

- **Construction:** 6061 aircraft-grade aluminum or raw brass
- **Finishes:** Black (BLK), Brass (BR)
- **Lead Wire:** 60" 22 AWG tinned copper
- **Driver System:** Internal
- **Operating Voltage:** 10.5-18 VAC
- **CRI:** 80+
- **Accessories:** Full or front shields (not included)



POWER CONSUMPTION

COLOR TEMPERATURE	WATTAGE	VA	LUMENS
● 3000K*	1W	2VA	115LM

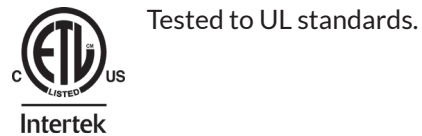
ADDITIONAL COLOR TEMPERATURE OPTIONS

- 2700K ● 5000K ● Amber ● Blue ● Royal Blue
- Green ● Red

WARRANTY

20 Year Limited Warranty

CERTIFICATIONS



*Indicates stocked items. Non-stocked items require 5-7 business days additional lead time, special order deposit and are non-refundable.

IES files can be found at www.gardenlightled.com



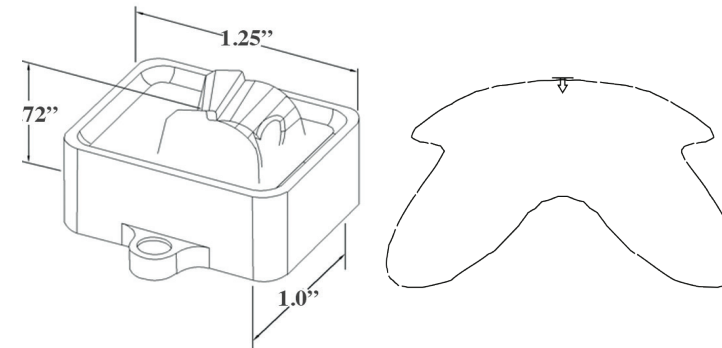
RAM | Micro Series Specialty Light

PRODUCT DESCRIPTION

Ideal for ceiling beam downlighting and gazebos.

The Ram Micro Series fixture projects a beam of light that's V-shaped. The beam is projected forward and down from the mounting position with the base of the V illuminating from the light's mounting position.

PRODUCT DIMENSIONS & BEAM SPREAD



FEATURES & BENEFITS

- Built in the U.S.A.
- CNC-machined from 6061 aircraft-grade aluminum or raw brass.
- U.S.A. made light engine and driver.
- Built in surge protector.
- IP67 rated. (Fully submersible option available upon special order request)
- CREE 2 step binned LEDs with L70 over 80,000 hours.

SPECIFICATIONS

- **Construction:** 6061 aircraft-grade aluminum or raw brass
- **Finishes:** Black (BLK), Brass (BR)
- **Lead Wire:** 60" 22 AWG tinned copper
- **Driver System:** Internal
- **Operating Voltage:** 10.5-18 VAC
- **CRI:** 80+
- **Accessories:** Full or front shields (not included)



POWER CONSUMPTION

COLOR TEMPERATURE	WATTAGE	VA	LUMENS
● 3000K*	1W	2VA	115LM

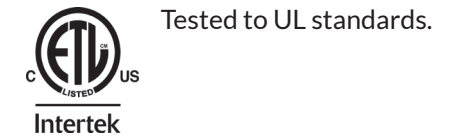
ADDITIONAL COLOR TEMPERATURE OPTIONS

- 2700K ● 5000K ● Amber ● Blue ● Royal Blue
- Green ● Red

WARRANTY

20 Year Limited Warranty

CERTIFICATIONS



*Indicates stocked items. Non-stocked items require 5-7 business days additional lead time, special order deposit and are non-refundable.

IES files can be found at www.gardenlightled.com



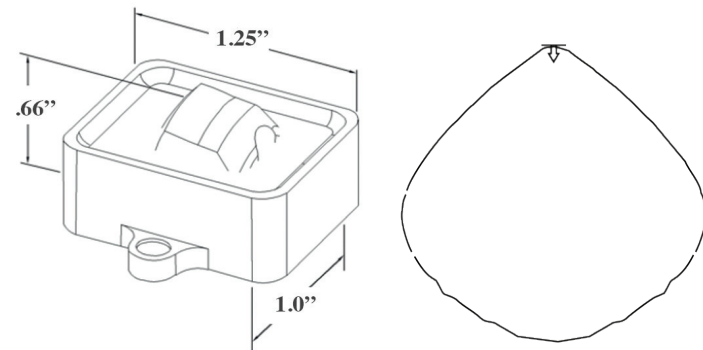
ROCK | Micro Series Specialty Light

PRODUCT DESCRIPTION

Ideal for shrubs, statues, and planters.

Projecting a beam of light forward and down from the mounting position, the Rock Micro Series is perfect for illuminating shrubs, statues and planters that are in front of and below the mounting position.

PRODUCT DIMENSIONS & BEAM SPREAD

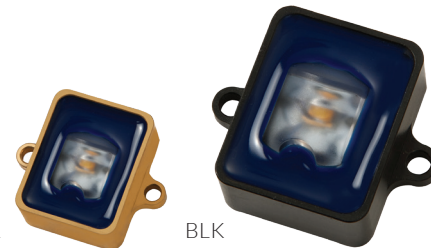


FEATURES & BENEFITS

- Built in the U.S.A.
- CNC-machined from 6061 aircraft-grade aluminum or raw brass.
- U.S.A. made light engine and driver.
- Built in surge protector.
- IP67 rated. (Fully submersible option available upon special order request)
- CREE 2 step binned LEDs with L70 over 80,000 hours.

SPECIFICATIONS

- **Construction:** 6061 aircraft-grade aluminum or raw brass
- **Finishes:** Black (BLK), Brass (BR)
- **Lead Wire:** 60" 22 AWG tinned copper
- **Driver System:** Internal
- **Operating Voltage:** 10.5-18 VAC
- **CRI:** 80+
- **Accessories:** Full or front shields (not included)



POWER CONSUMPTION

COLOR TEMPERATURE	WATTAGE	VA	LUMENS
● 3000K*	1W	2VA	115LM

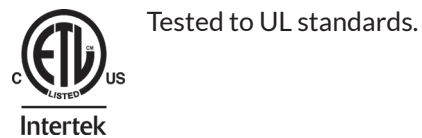
ADDITIONAL COLOR TEMPERATURE OPTIONS

- 2700K ● 5000K ● Amber ● Blue ● Royal Blue
- Green ● Red

WARRANTY

20 Year Limited Warranty

CERTIFICATIONS



*Indicates stocked items. Non-stocked items require 5-7 business days additional lead time, special order deposit and are non-refundable.

IES files can be found at www.gardenlightled.com



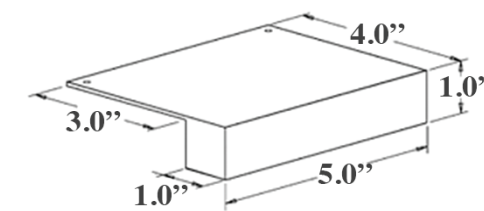
RW | Rock Wall

PRODUCT DESCRIPTION

Ideal for decks, railings, gazebos, outdoor kitchens, steps, and fire pits.

The Rock Wall is a timeless fixture used for downlighting. Its unique shape may fool you, but this luminaire is great for fire pits, steps and so much more.

PRODUCT DIMENSIONS

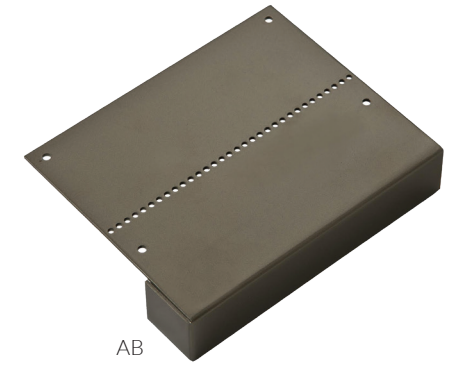


FEATURES & BENEFITS

- Built in the U.S.A.
- CNC-machined from 6061 aircraft-grade aluminum
- U.S.A. made light engine and driver.
- Built in surge protector.
- IP66 rated.
- CREE 2 step binned LEDs with L70 over 80,000 hours.

SPECIFICATIONS

- **Construction:** 6061 aircraft-grade aluminum
- **Finishes:** Architectural Bronze (AB)
- **Lead Wire:** 72" SPT-1W tinned copper
- **Driver System:** Internal
- **Operating Voltage:** 10.5-18 VAC
- **CRI:** 80+
- **Beam Spread:** Flood



POWER CONSUMPTION

COLOR TEMPERATURE	WATTAGE	VA	LUMENS
● 3000K*	3W	5VA	200LM

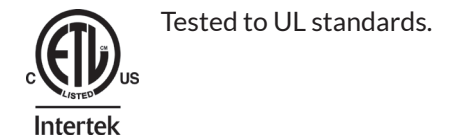
ADDITIONAL COLOR TEMPERATURE OPTIONS

- 2700K ● 5000K ● Amber ● Blue ● Royal Blue
- Green ● Red

WARRANTY

20 Year Limited Warranty

CERTIFICATIONS



*Indicates stocked items. Non-stocked items require 5-7 business days additional lead time, special order deposit and are non-refundable.



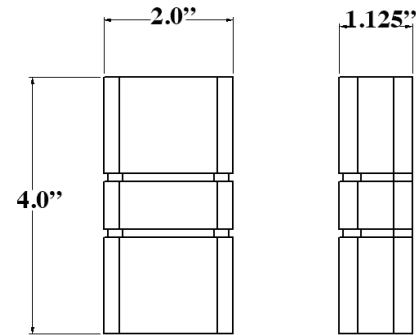
CW UDL | Up/Down Wall Light

PRODUCT DESCRIPTION

Ideal for decks, railings, pool cages, and wall sconces.

The premier solution for outdoor lighting, the CW Up/Down Wall Light suits many applications and can be mounted up and down or side to side. Fits perfectly on pool cage beams or can be used as a wall sconce.

PRODUCT DIMENSIONS



FEATURES & BENEFITS

- Built in the U.S.A.
- CNC-machined from 6061 aircraft-grade aluminum or raw brass.
- U.S.A. made light engine and driver.
- Built in surge protector.
- IP67 rated.
- CREE 2 step binned LEDs with L70 over 80,000 hours.

SPECIFICATIONS

- **Construction:** 6061 aircraft-grade aluminum or raw brass
- **Finishes:** Architectural Bronze (AB), Black (BLK), White (WHT), Brass (BR)
- **Lead Wire:** 46" 22 AWG tinned copper
- **Mounting:** Bracket included
- **Driver System:** Internal
- **Operating Voltage:** 10.5-18 VAC
- **CRI:** 80+



POWER CONSUMPTION

COLOR TEMPERATURE	WATTAGE	VA	LUMENS
3000K*	2W	2VA	115LM-90LM

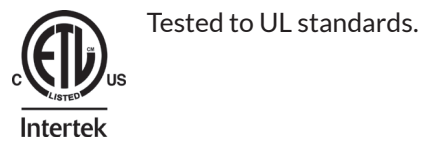
ADDITIONAL COLOR TEMPERATURE OPTIONS

- 2700K
- 5000K
- Amber
- Blue
- Royal Blue
- Green
- Red

WARRANTY

20 Year Limited Warranty

CERTIFICATIONS



*Indicates stocked items. Non-stocked items require 5-7 business days additional lead time, special order deposit and are non-refundable.



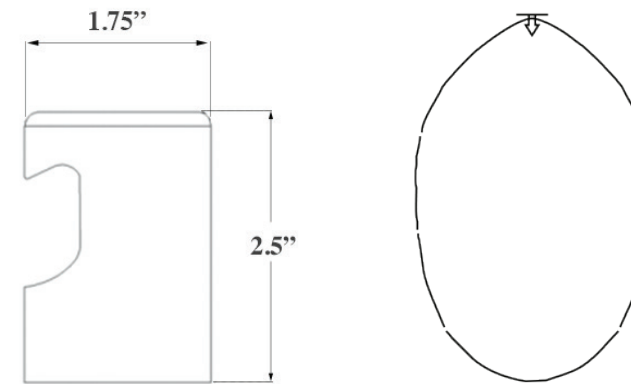
P0-II | Path Light

PRODUCT DESCRIPTION

Ideal for pathways, walkways, patios, and small areas.

At only 2.5 inches tall, this powerful little low voltage LED light can wash a large horizontal surface of any outdoor landscape area. This is amongst our most modern and innovative outdoor lighting fixture for use in contemporary landscaping and architecture designs.

PRODUCT DIMENSIONS & BEAM SPREAD



FEATURES & BENEFITS

- Built in the U.S.A.
- CNC-machined from 6061 aircraft-grade aluminum or raw brass.
- U.S.A. made light engine and driver.
- Built in surge protector.
- IP67 rated.
- CREE 2 step binned LEDs with L70 over 80,000 hours.

SPECIFICATIONS

- **Construction:** 6061 aircraft-grade aluminum or raw brass
- **Finishes:** Architectural Bronze (AB), Black (BLK), Stainless Aluminum (SSA), Brass (BR)
- **Lead Wire:** 60" 22 AWG tinned copper
- **Mounting:** 8.5" LV131 ground stake
- **Driver System:** Internal
- **Operating Voltage:** 10.5-18 VAC
- **CRI:** 80+
- **Beam Spread:** 120°



POWER CONSUMPTION

COLOR TEMPERATURE	WATTAGE	VA	LUMENS
3000K*	1W	2VA	115LM

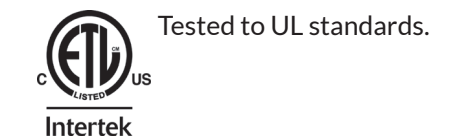
ADDITIONAL COLOR TEMPERATURE OPTIONS

- 2700K
- 5000K
- Amber
- Blue
- Royal Blue
- Green
- Red

WARRANTY

20 Year Limited Warranty

CERTIFICATIONS



*Indicates stocked items. Non-stocked items require 5-7 business days additional lead time, special order deposit and are non-refundable.

IES files can be found at www.gardenlightled.com



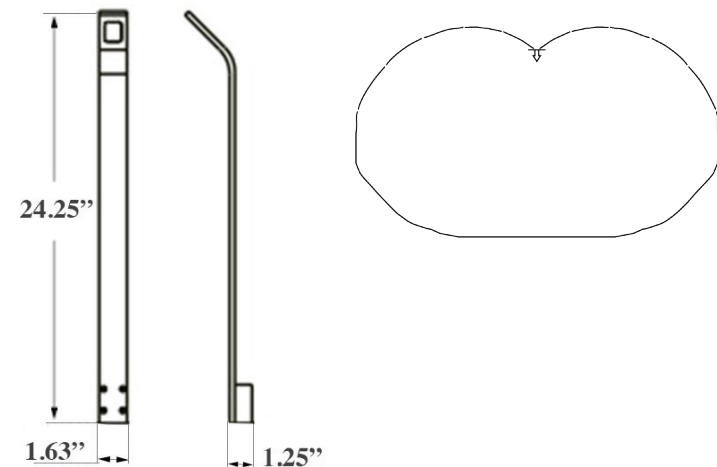
P1 | Path Light

PRODUCT DESCRIPTION

Ideal for pathways, walkways, patios, and small areas.

The P1 pathway light is one of the sleekest fixtures available. Slender and powerful, this light casts a beam spread that illuminates any pathway perfectly.

PRODUCT DIMENSIONS & BEAM SPREAD



FEATURES & BENEFITS

- Built in the U.S.A.
- CNC-machined from 6061 aircraft-grade aluminum.
- U.S.A. made light engine and driver.
- Built in surge protector.
- Tempered frosted glass.
- IP66 rated.
- CREE 2 step binned LEDs with L70 over 80,000 hours.

SPECIFICATIONS

- **Construction:** 6061 aircraft-grade aluminum
- **Finishes:** Architectural Bronze (AB), Black (BLK), Stainless Aluminum (SSA)
- **Lead Wire:** 36" 18 AWG tinned copper
- **Mounting:** 8" LV180 ground stake
- **Lens:** Frosted flat
- **Driver System:** Internal
- **Operating Voltage:** 10.5-18 VAC
- **CRI:** 80+
- **Beam Spread:** Flood
- **Accessories:** Surface mount (not included)



POWER CONSUMPTION

COLOR TEMPERATURE	WATTAGE	VA	LUMENS
● 3000K*	2W	5VA	230LM

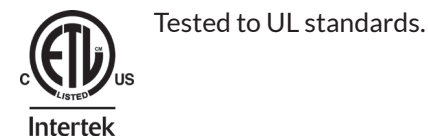
ADDITIONAL COLOR TEMPERATURE OPTIONS

- 2700K ● 5000K ● Amber ● Blue ● Royal Blue
- Green ● Red

WARRANTY

20 Year Limited Warranty

CERTIFICATIONS



*Indicates stocked items. Non-stocked items require 5-7 business days additional lead time, special order deposit and are non-refundable.

IES files can be found at www.gardenlightled.com



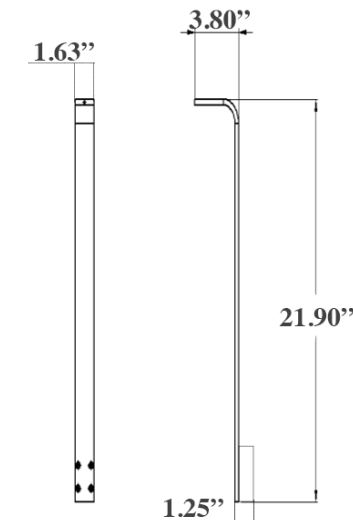
P1.90 | Curved Path Light

PRODUCT DESCRIPTION

Ideal for pathways, walkways, patios, and small areas.

The P1.90 curved pathway light is the solution for all your residential and commercial projects. The curved, 90-degree angle casts a wide spread of light onto any surface providing the perfect amount of illumination.

PRODUCT DIMENSIONS



POWER CONSUMPTION

COLOR TEMPERATURE	WATTAGE	VA	LUMENS
● 3000K*	2W	5VA	230LM

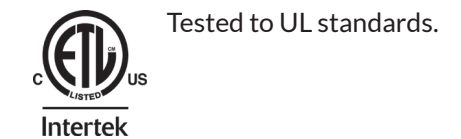
ADDITIONAL COLOR TEMPERATURE OPTIONS

- 2700K ● 5000K ● Amber ● Blue ● Royal Blue
- Green ● Red

WARRANTY

20 Year Limited Warranty

CERTIFICATIONS



*Indicates stocked items. Non-stocked items require 5-7 business days additional lead time, special order deposit and are non-refundable.

FEATURES & BENEFITS

- Built in the U.S.A.
- CNC-machined from 6061 aircraft-grade aluminum.
- U.S.A. made light engine and driver.
- Built in surge protector.
- Tempered frosted glass.
- IP66 rated.
- CREE 2 step binned LEDs with L70 over 80,000 hours.

SPECIFICATIONS

- **Construction:** 6061 aircraft-grade aluminum
- **Finishes:** Architectural Bronze (AB), Black (BLK), Stainless Aluminum (SSA)
- **Lead Wire:** 36" 18AWG tinned copper
- **Mounting:** 8" LV180 ground stake
- **Lens:** Frosted flat
- **Driver System:** Internal
- **Operating Voltage:** 10.5-18 VAC
- **CRI:** 80+
- **Beam Spread:** 120°
- **Accessories:** Surface mount (not included)



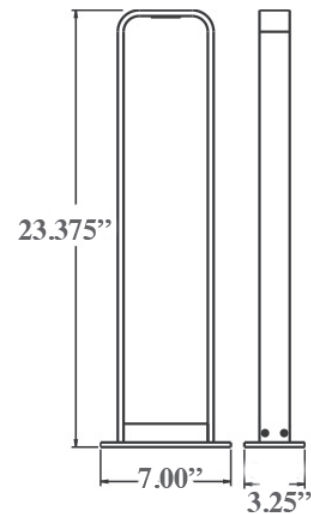
P2 | Path Light

PRODUCT DESCRIPTION

Ideal for pathways, walkways, patios, and small areas.

The uniquely shaped P2 path light casts the perfect v-shaped pattern on both sides of the fixture. Best suited for illuminating pathways while adding a bit of flair.

PRODUCT DIMENSIONS



FEATURES & BENEFITS

- Built in the U.S.A.
- CNC-machined from 6061 aircraft-grade aluminum.
- U.S.A. made light engine and driver.
- Built in surge protector.
- Tempered frosted glass.
- IP66 rated.
- CREE 2 step binned LEDs with L70 over 80,000 hours.

SPECIFICATIONS

- **Construction:** 6061 aircraft-grade aluminum
- **Finishes:** Architectural Bronze (AB), Black (BLK), Stainless Aluminum (SSA)
- **Lead Wire:** 36" 18 AWG tinned copper
- **Mounting:** Surface mount
- **Lens:** Frosted flat
- **Driver System:** Internal
- **Operating Voltage:** 10.5-18 VAC
- **CRI:** 80+
- **Beam Spread:** Flood



POWER CONSUMPTION

COLOR TEMPERATURE	WATTAGE	VA	LUMENS
● 3000K*	2W	5VA	230LM

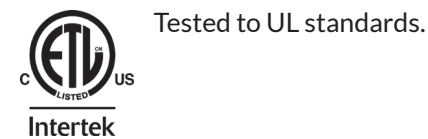
ADDITIONAL COLOR TEMPERATURE OPTIONS

- 2700K ● 5000K ● Amber ● Blue ● Royal Blue
- Green ● Red

WARRANTY

20 Year Limited Warranty

CERTIFICATIONS



*Indicates stocked items. Non-stocked items require 5-7 business days additional lead time, special order deposit and are non-refundable.



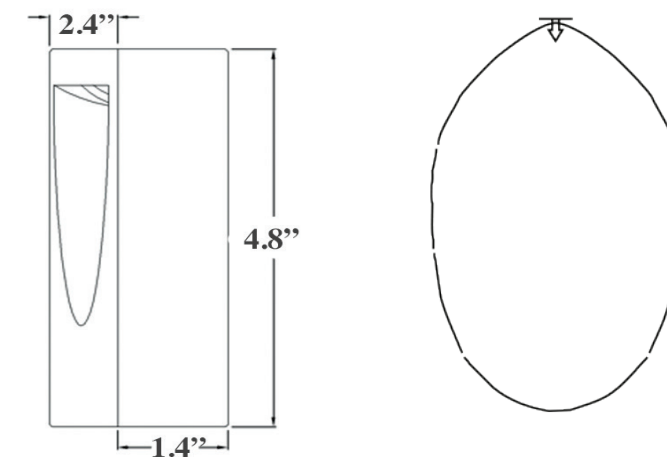
P3 | Path Light

PRODUCT DESCRIPTION

Ideal for pathways, walkways, patios, and small areas.

The sleek, low profile P3 path light is a fixture you just cannot get anywhere else. Add this path light to your line-up and stand apart from traditional lighting fixtures. Don't let its size fool you. This fixture casts a large spread of light onto horizontal surfaces.

PRODUCT DIMENSIONS & BEAM SPREAD



FEATURES & BENEFITS

- Built in the U.S.A.
- CNC-machined from 6061 aircraft-grade aluminum or raw brass.
- U.S.A. made light engine and driver.
- Built in surge protector.
- Tempered frosted glass.
- IP66 rated.
- CREE 2 step binned LEDs with L70 over 80,000 hours.

SPECIFICATIONS

- **Construction:** 6061 aircraft-grade aluminum or raw brass
- **Finishes:** Architectural Bronze (AB), Black (BLK), Stainless Aluminum (SSA), Brass (BR)
- **Lead Wire:** 36" 18AWG tinned copper
- **Mounting:** 8" LV180 ground stake
- **Lens:** Frosted flat
- **Driver System:** External
- **Operating Voltage:** 10.5-18 VAC
- **CRI:** 80+
- **Beam Spread:** Flood
- **Accessories:** Surface mount (not included)



POWER CONSUMPTION

COLOR TEMPERATURE	WATTAGE	VA	LUMENS
● 3000K*	2W	5VA	160LM

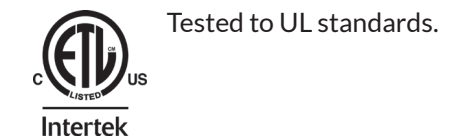
ADDITIONAL COLOR TEMPERATURE OPTIONS

- 2700K ● 5000K ● Amber ● Blue ● Royal Blue
- Green ● Red

WARRANTY

20 Year Limited Warranty

CERTIFICATIONS



*Indicates stocked items. Non-stocked items require 5-7 business days additional lead time, special order deposit and are non-refundable.

IES files can be found at www.gardenlightled.com



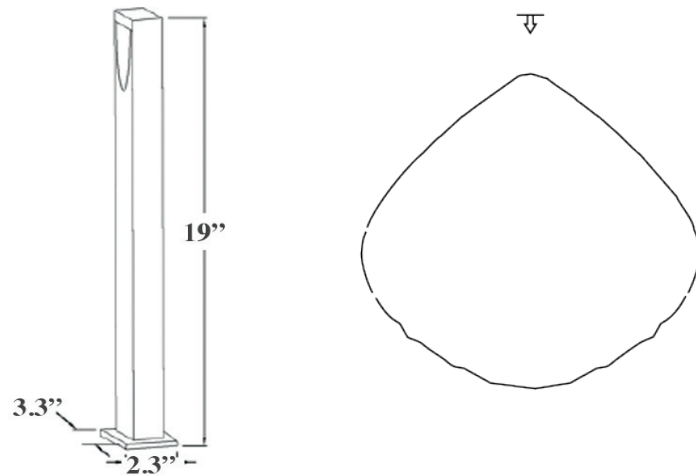
P4 | Path Light

PRODUCT DESCRIPTION

Ideal for pathways, walkways, patios, and small areas.

Standing at 19" tall, the P4 path light is the big brother to our P3 path light. With a wider spread than its counter part, this path light can be used for a variety of applications for customers looking for a modern feel.

PRODUCT DIMENSIONS & BEAM SPREAD



FEATURES & BENEFITS

- Built in the U.S.A.
- CNC-machined from 6061 aircraft-grade aluminum.
- U.S.A. made light engine and driver.
- Built in surge protector.
- Tempered frosted glass.
- IP66 rated.
- CREE 2 step binned LEDs with L70 over 80,000 hours.

SPECIFICATIONS

- **Construction:** 6061 aircraft-grade aluminum
- **Finishes:** Stainless Aluminum (SSA)
- **Lead Wire:** 36" 18 AWG tinned copper
- **Mounting:** Surface mount
- **Lens:** Frosted flat
- **Driver System:** External
- **Operating Voltage:** 10.5-18 VAC
- **CRI:** 80+
- **Beam Spread:** Flood

POWER CONSUMPTION

COLOR TEMPERATURE	WATTAGE	VA	LUMENS
● 3000K*	2W	5VA	160LM

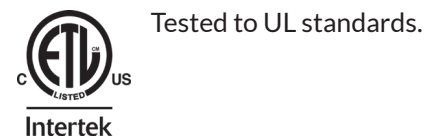
ADDITIONAL COLOR TEMPERATURE OPTIONS

- 2700K ● 5000K ● Amber ● Blue ● Royal Blue
- Green ● Red

WARRANTY

20 Year Limited Warranty

CERTIFICATIONS



*Indicates stocked items. Non-stocked items require 5-7 business days additional lead time, special order deposit and are non-refundable.

IES files can be found at www.gardenlightled.com



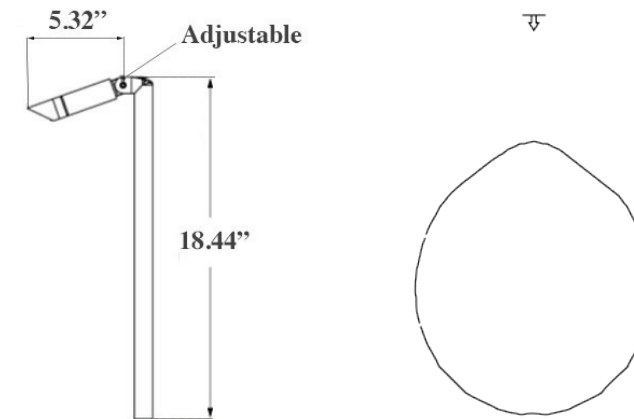
P9 | Path Light

PRODUCT DESCRIPTION

Ideal for pathways, walkways, patios, and small areas.

The P9 LED pathway light is an adaptation of our highly successful Mini Spotlight. This low-voltage LED landscape light fixture creates an adjustable path light with 180 degrees of total range of motion.

PRODUCT DIMENSIONS & BEAM SPREAD



FEATURES & BENEFITS

- Built in the U.S.A.
- CNC-machined from 6061 aircraft-grade aluminum or raw brass.
- U.S.A. made light engine and driver.
- Built in surge protector.
- Adjustable knuckle for ease of light positioning.
- IP66 rated.
- CREE 2 step binned LEDs with L70 over 80,000 hours.

SPECIFICATIONS

- **Construction:** 6061 aircraft-grade aluminum or raw brass
- **Finishes:** Architectural Bronze (AB), Black (BLK), Stainless Aluminum (SSA), Brass (BR)
- **Lead Wire:** 46" 22 AWG tinned copper
- **Mounting:** 8.5" LV131 ground stake
- **Lens:** Clear flat
- **Driver System:** Internal
- **Operating Voltage:** 10.5-18 VAC
- **CRI:** 80+
- **Beam Spread:** 60°



POWER CONSUMPTION

COLOR TEMPERATURE	WATTAGE	VA	LUMENS
● 3000K*	2W	5VA	230LM

ADDITIONAL COLOR TEMPERATURE OPTIONS

- 2700K ● 5000K ● Amber ● Blue ● Royal Blue
- Green ● Red

WARRANTY

20 Year Limited Warranty

CERTIFICATIONS



Tested to UL standards.

*Indicates stocked items. Non-stocked items require 5-7 business days additional lead time, special order deposit and are non-refundable.

IES files can be found at www.gardenlightled.com



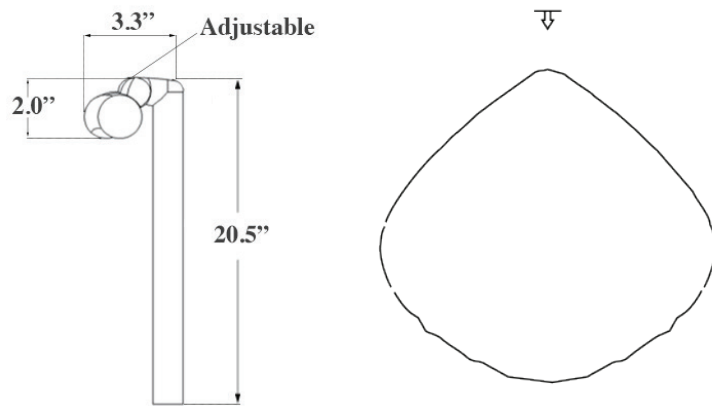
P10 | Path Light

PRODUCT DESCRIPTION

Ideal for pathways, walkways, patios, and small areas.

The P10 LED pathway light is an adaptation of our highly successful Mini Wall Washer. This low-voltage LED landscape light fixture creates an adjustable path light with 140 degrees of total range of motion.

PRODUCT DIMENSIONS & BEAM SPREAD



FEATURES & BENEFITS

- Built in the U.S.A.
- CNC-machined from 6061 aircraft-grade aluminum or raw brass.
- U.S.A. made light engine and driver.
- Built in surge protector.
- Adjustable knuckle for ease of light positioning.
- Tempered frosted glass.
- IP66 rated.
- CREE 2 step binned LEDs with L70 over 80,000 hours.

SPECIFICATIONS

- **Construction:** 6061 aircraft-grade aluminum or raw brass
- **Finishes:** Architectural Bronze (AB), Black (BLK), Stainless Aluminum (SSA), Brass (BR)
- **Lead Wire:** 27" 18 AWG tinned copper
- **Mounting:** 8.5" LV131 ground stake
- **Lens:** Frosted flat
- **Driver System:** External
- **Operating Voltage:** 10.5-18 VAC
- **CRI:** 80+
- **Beam Spread:** Flood



POWER CONSUMPTION

COLOR TEMPERATURE	WATTAGE	VA	LUMENS
3000K*	2W	5VA	160LM

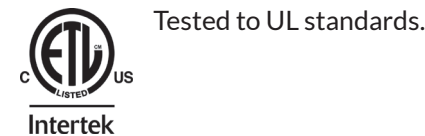
ADDITIONAL COLOR TEMPERATURE OPTIONS

- 2700K 5000K Amber Blue Royal Blue
- Green Red

WARRANTY

20 Year Limited Warranty

CERTIFICATIONS



*Indicates stocked items. Non-stocked items require 5-7 business days additional lead time, special order deposit and are non-refundable.

IES files can be found at www.gardenlightled.com



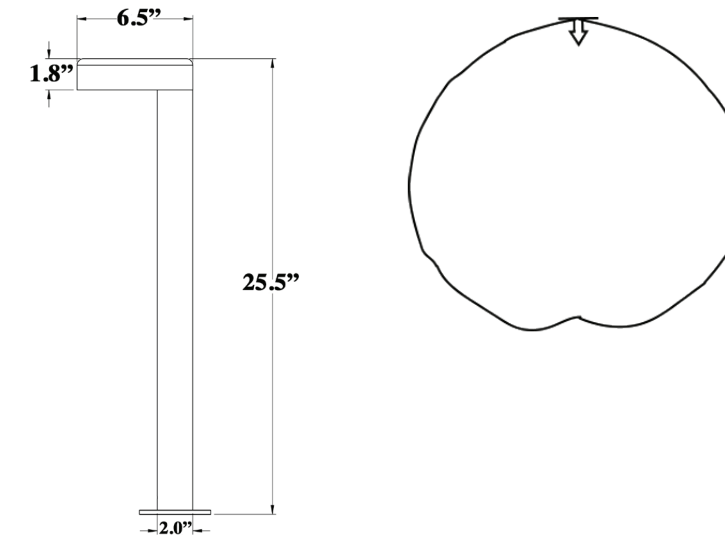
P11 | Path Light

PRODUCT DESCRIPTION

Ideal for pathways, walkways, patios, and large areas.

Our P11 path light was created specifically for commercial applications. From business buildings to hotels, this state-of-the-art fixture can produce up to 2000 lumens!

PRODUCT DIMENSIONS & BEAM SPREAD



POWER CONSUMPTION

COLOR TEMPERATURE	WATTAGE	VA	LUMENS
3000K*	3W	6VA	340LM
	9W	10VA	540LM
	12W	15VA	1700LM
	15W	18VA	2000LM

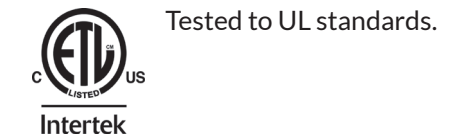
ADDITIONAL COLOR TEMPERATURE OPTIONS

- 2700K 5000K Amber** Blue Royal Blue
- Green Red**

WARRANTY

20 Year Limited Warranty

CERTIFICATIONS



*Indicates stocked items. Non-stocked items require 5-7 business days additional lead time, special order deposit and are non-refundable.

**Amber and red not available in 9W, 12W or 15W.

IES files can be found at www.gardenlightled.com

FEATURES & BENEFITS

- Built in the U.S.A.
- CNC-machined from 6061 aircraft-grade aluminum.
- U.S.A. made light engine and driver.
- Built in surge protector.
- IP66 rated.
- CREE 2 step binned LEDs with L70 over 80,000 hours.

SPECIFICATIONS

- **Construction:** 6061 aircraft-grade aluminum
- **Finishes:** Architectural Bronze (AB), Black (BLK), Stainless Aluminum (SSA)
- **Lead Wire:** 36" 18 AWG tinned copper
- **Post Sizes:** 24" or 36"
- **Driver System:** External
- **Operating Voltage:** 10.5-18 VAC
- **CRI:** 80+
- **Beam Spread:** Flood
- **Accessories:** Mounting base or heavy duty stake (not included)



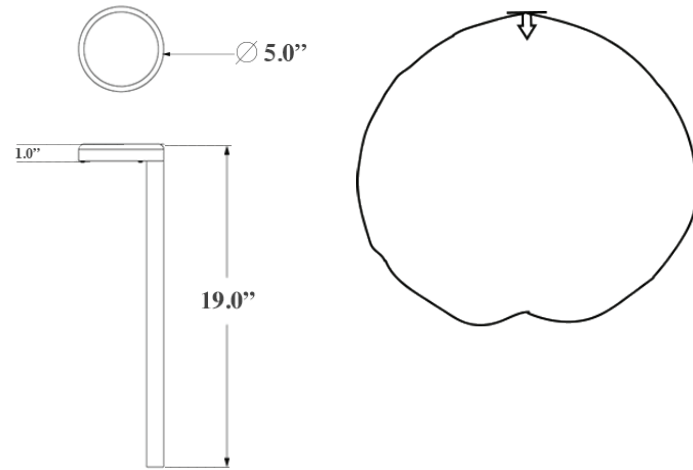
P12 | Path Light

PRODUCT DESCRIPTION

Ideal for pathways, walkways, patios, and small areas.

Contemporary yet versatile, this extraordinary P12 Path Light can fit into any style architecture from modern to traditional. Great modern and machined path lighting adding a contemporary solution to a wide range of architecture.

PRODUCT DIMENSIONS & BEAM SPREAD



FEATURES & BENEFITS

- Built in the U.S.A.
- CNC-machined from 6061 aircraft-grade aluminum or raw brass.
- U.S.A. made light engine and driver.
- Built in surge protector.
- IP66 rated.
- CREE 2 step binned LEDs with L70 over 80,000 hours.

SPECIFICATIONS

- **Construction:** 6061 aircraft-grade aluminum or raw brass
- **Finishes:** Architectural Bronze (AB), Black (BLK), Stainless Aluminum (SSA), Brass (BR)
- **Lead Wire:** 36" 18 AWG tinned copper
- **Mounting:** 8.5" LV131 ground stake
- **Driver System:** External
- **Operating Voltage:** 10.5-18 VAC
- **CRI:** 80+
- **Beam Spread:** 120°



POWER CONSUMPTION

COLOR TEMPERATURE	WATTAGE	VA	LUMENS
3000K*	2W	5VA	230LM

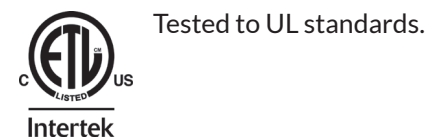
ADDITIONAL COLOR TEMPERATURE OPTIONS

- 2700K • 5000K • Amber • Blue • Royal Blue
- Green • Red

WARRANTY

20 Year Limited Warranty

CERTIFICATIONS



*Indicates stocked items. Non-stocked items require 5-7 business days additional lead time, special order deposit and are non-refundable.

IES files can be found at www.gardenlightled.com

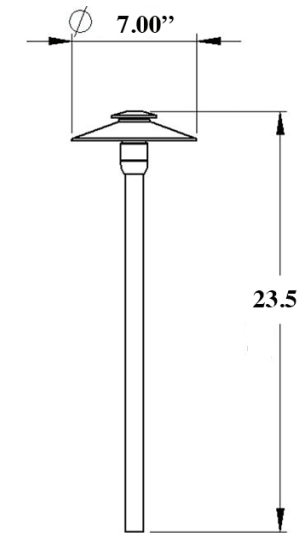


P14 | Path Light (Integrated LED)

PRODUCT DESCRIPTION

Our P14 path light is the best solution for more traditional landscape and architectural design plans. CNC-machined from 6061 aircraft-grade aluminum, this fixture is a perfect choice for residential and commercial properties.

PRODUCT DIMENSIONS



FEATURES & BENEFITS

- Built in the U.S.A.
- CNC-machined from 6061 aircraft-grade aluminum.
- U.S.A. made light engine and driver.
- Built in surge protector.
- Breathable ant guard to eliminate insect infestation.
- Field serviceable and upgradeable LED board.
- CREE 2 step binned LEDs with L70 over 80,000 hours.
- IP66 rated.

SPECIFICATIONS

- **Construction:** 6061 aircraft-grade aluminum
- **Finishes:** Architectural Bronze (AB), Black (BLK)
- **Lead Wire:** 27" 18 AWG tinned copper
- **Mounting:** 8.5" LV131 ground stake
- **Driver System:** External
- **Operating Voltage:** 10.5-18 VAC
- **CRI:** 80+
- **Beam Spread:** Flood



POWER CONSUMPTION

COLOR TEMPERATURE	WATTAGE	VA	LUMENS
3000K	2W	4VA	TBD

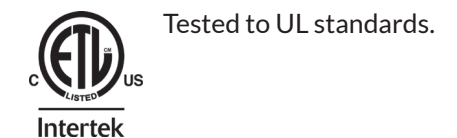
ADDITIONAL COLOR TEMPERATURE OPTIONS

- 2700K • 5000K • Amber • Blue • Royal Blue
- Green • Red

WARRANTY

20 Year Limited Warranty

CERTIFICATIONS



*Indicates stocked items. Non-stocked items require 5-7 business days additional lead time, special order deposit and are non-refundable.

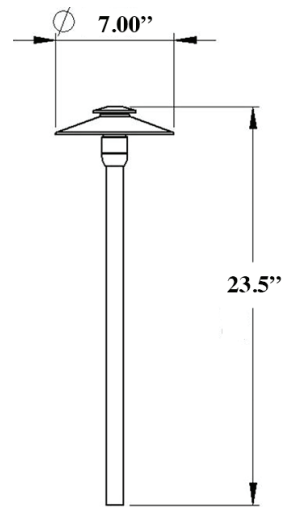


P14 | Path Light (Retro Fit)

PRODUCT DESCRIPTION

Our P14 path light is the best solution for more traditional landscape and architectural design plans. CNC-machined from 6061 aircraft-grade aluminum, this fixture is a perfect choice for residential and commercial properties.

PRODUCT DIMENSIONS



FEATURES & BENEFITS

- Built in the U.S.A.
- CNC-machined from 6061 aircraft-grade aluminum.
- Breathable ant guard to eliminate insect infestation.
- Field serviceable.
- IP66 rated.

SPECIFICATIONS

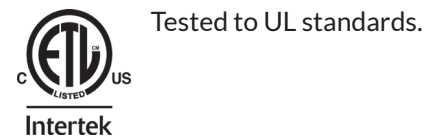
- **Construction:** 6061 aircraft-grade aluminum
- **Finishes:** Architectural Bronze (AB), Black (BLK)
- **Lead Wire:** 36" 18 AWG tinned copper
- **Mounting:** 8.5" LV131 ground stake
- **Operating Voltage:** 10.5-18 VAC
- **Lamp:** GY6 Bi-Pin (sold separately)
- **Beam Spread:** Flood



WARRANTY

20 Year Limited Warranty on Housing
3 Year Limited Warranty on Components

CERTIFICATIONS



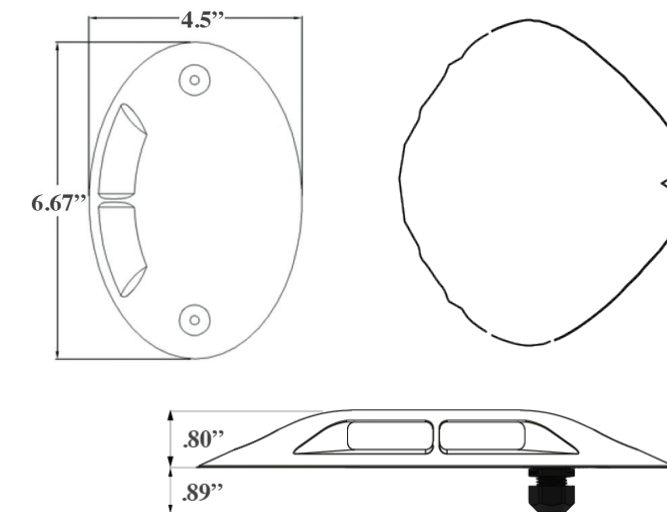
X-LIGHT SGL | Single Sided

PRODUCT DESCRIPTION

Ideal for pathways, wall sconces, patios, docks, and driveways.

Garden Light LED's latest innovation, the ultra-low-profile X-Light is perfect for hardscapes, docks, walkways, and driveways. This sleek modern design is less than 1" tall and is available in brass and stainless steel.

PRODUCT DIMENSIONS & BEAM SPREADS



FEATURES & BENEFITS

- Built in the U.S.A.
- Made from stainless steel or brass.
- U.S.A. made light engine and driver.
- Built in surge protector.
- Neoprene seal to prevent leaks.
- IP67 rated.
- CREE 2 step binned LEDs with L70 over 80,000 hours.

SPECIFICATIONS

- **Construction:** Stainless steel or brass
- **Finishes:** Stainless Steel (SS), Brass (BR)
- **Lead Wire:** 60" 18 AWG tinned copper
- **Mounting:** Surface plate
- **Driver System:** Internal
- **Operating Voltage:** 10.5-18 VAC
- **CRI:** 80+
- **Optics:** Diffused and Non-Diffused



POWER CONSUMPTION

COLOR TEMPERATURE	WATTAGE	VA	LUMENS
3000K*	2W	4VA	90LM

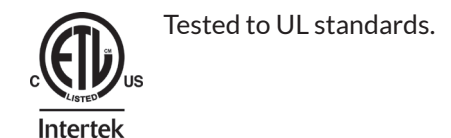
ADDITIONAL COLOR TEMPERATURE OPTIONS

- 2700K • 5000K • Amber • Blue • Royal Blue
- Green • Red

WARRANTY

20 Year Limited Warranty

CERTIFICATIONS



*Indicates stocked items. Non-stocked items require 5-7 business days additional lead time, special order deposit and are non-refundable.

IES files can be found at www.gardenlightled.com



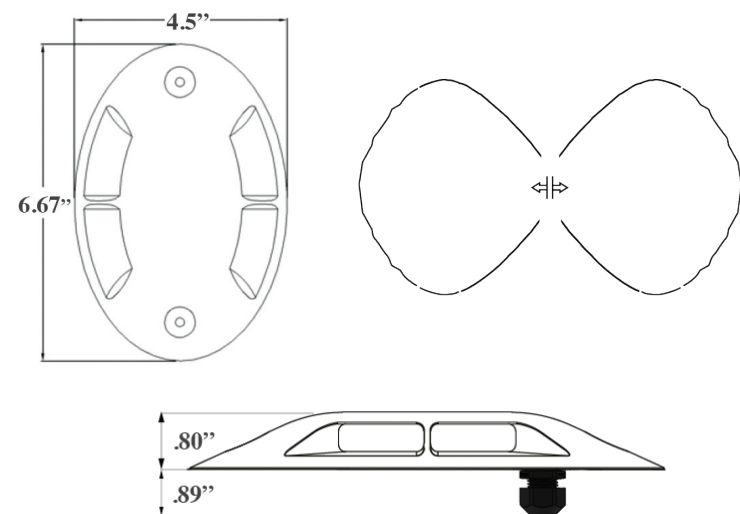
X-LIGHT DBL | Double Sided

PRODUCT DESCRIPTION

Ideal for pathways, wall sconces, patios, docks, and driveways.

Garden Light LED's latest innovation, the ultra-low-profile X-Light is perfect for hardscapes, docks, walkways, and driveways. This sleek modern design is less than 1" tall and is available in brass and stainless steel.

PRODUCT DIMENSIONS & BEAM SPREADS



FEATURES & BENEFITS

- Built in the U.S.A.
- Made from stainless steel or brass.
- U.S.A. made light engine and driver.
- Built in surge protector.
- Neoprene seal to prevent leaks.
- IP67 rated.
- CREE 2 step binned LEDs with L70 over 80,000 hours.

SPECIFICATIONS

- **Construction:** Stainless steel or brass
- **Finishes:** Stainless Steel (SS), Brass (BR)
- **Lead Wire:** 60" 18 AWG tinned copper
- **Mounting:** Surface plate
- **Driver System:** Internal
- **Operating Voltage:** 10.5-18 VAC
- **CRI:** 80+
- **Optics:** Diffused and Non-Diffused



SS



BR

POWER CONSUMPTION

COLOR TEMPERATURE	WATTAGE	VA	LUMENS
● 3000K*	2W	4VA	90LM

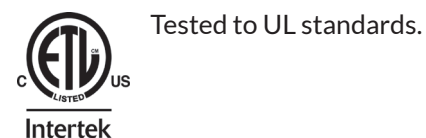
ADDITIONAL COLOR TEMPERATURE OPTIONS

- 2700K ● 5000K ● Amber ● Blue ● Royal Blue
- Green ● Red

WARRANTY

20 Year Limited Warranty

CERTIFICATIONS



*Indicates stocked items. Non-stocked items require 5-7 business days additional lead time, special order deposit and are non-refundable.

IES files can be found at www.gardenlightled.com



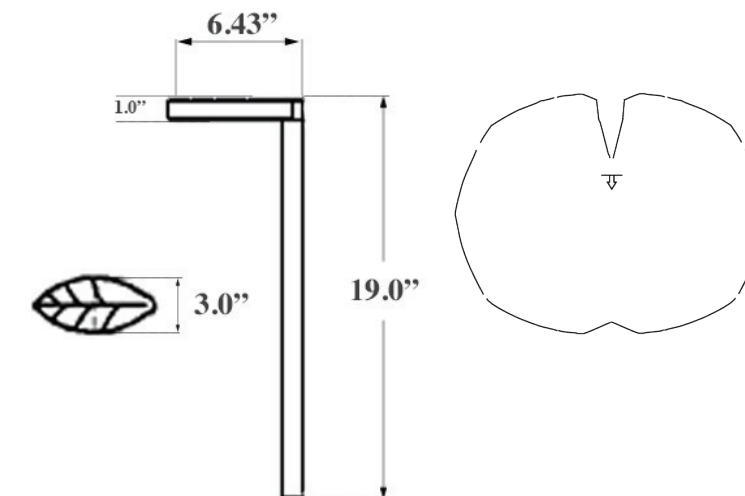
TRADITIONAL LEAF | Path Light

PRODUCT DESCRIPTION

Ideal for pathways, walkways, patios, and small areas.

This beautiful, leaf shaped LED landscape path light offers a unique lighting fixture design that is perfect for outdoor spaces, patios, and walkways. Use these one of a kind fixtures to blend in with nature and add beauty and security.

PRODUCT DIMENSIONS & BEAM SPREAD



FEATURES & BENEFITS

- Built in the U.S.A.
- CNC-machined from 6061 aircraft-grade aluminum.
- U.S.A. made light engine and driver.
- Built in surge protector.
- IP67 rated.
- CREE 2 step binned LEDs with L70 over 80,000 hours.

SPECIFICATIONS

- **Construction:** 6061 aircraft-grade aluminum
- **Finishes:** Architectural Bronze (AB), Black (BLK), Stainless Aluminum (SSA)
- **Lead Wire:** 38" 22 AWG tinned copper
- **Mounting:** 8.5" LV131 ground stake
- **Driver System:** External
- **Operating Voltage:** 10.5-18 VAC
- **CRI:** 80+
- **Beam Spread:** 120°



SSA

AB

BLK

POWER CONSUMPTION

COLOR TEMPERATURE	WATTAGE	VA	LUMENS
● 3000K*	1W	2VA	115LM

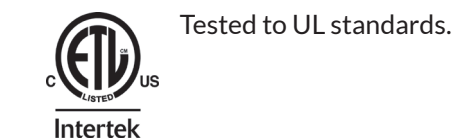
ADDITIONAL COLOR TEMPERATURE OPTIONS

- 2700K ● 5000K ● Amber ● Blue ● Royal Blue
- Green ● Red

WARRANTY

20 Year Limited Warranty

CERTIFICATIONS



*Indicates stocked items. Non-stocked items require 5-7 business days additional lead time, special order deposit and are non-refundable.

IES files can be found at www.gardenlightled.com



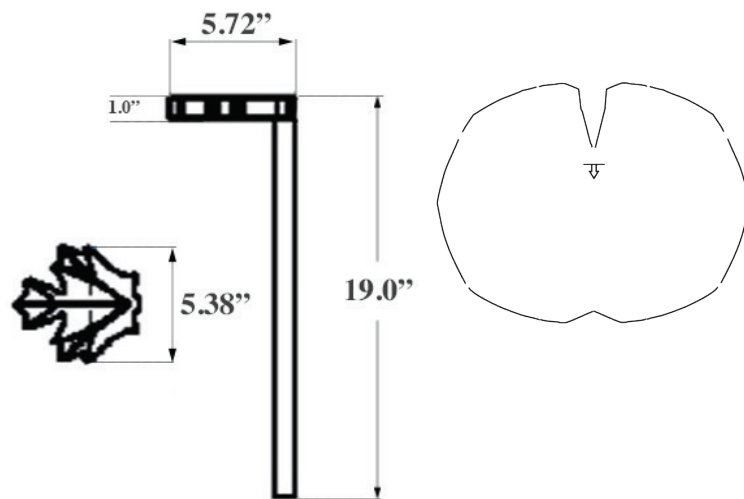
MAPLE LEAF | Path Light

PRODUCT DESCRIPTION

Ideal for pathways, walkways, patios, and small areas.

The LED Maple Leaf Path light is perfect for all-weather outdoor living spaces, including sidewalks, walkways, and pathways especially where the design of the fixture matches the landscape environment you are designing for.

PRODUCT DIMENSIONS & BEAM SPREAD



FEATURES & BENEFITS

- Built in the U.S.A.
- CNC-machined from 6061 aircraft-grade aluminum.
- U.S.A. made light engine and driver.
- Built in surge protector.
- IP67 rated.
- CREE 2 step binned LEDs with L70 over 80,000 hours.

SPECIFICATIONS

- **Construction:** 6061 aircraft-grade aluminum
- **Finishes:** Architectural Bronze (AB), Black (BLK), Stainless Aluminum (SSA)
- **Lead Wire:** 38" 22 AWG tinned copper
- **Mounting:** 8.5" LV131 ground stake
- **Driver System:** External
- **Operating Voltage:** 10.5-18 VAC
- **CRI:** 80+
- **Beam Spread:** 120°



POWER CONSUMPTION

COLOR TEMPERATURE	WATTAGE	VA	LUMENS
3000K*	1W	2VA	115LM

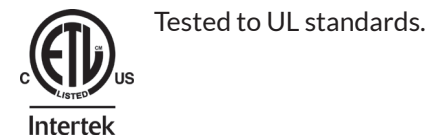
ADDITIONAL COLOR TEMPERATURE OPTIONS

- 2700K • 5000K • Amber • Blue • Royal Blue
- Green • Red

WARRANTY

20 Year Limited Warranty

CERTIFICATIONS



*Indicates stocked items. Non-stocked items require 5-7 business days additional lead time, special order deposit and are non-refundable.

IES files can be found at www.gardenlightled.com



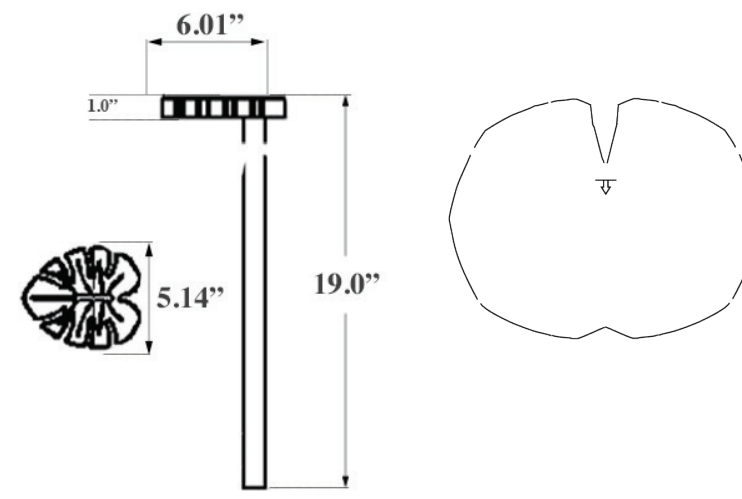
TROPICAL LEAF | Path Light

PRODUCT DESCRIPTION

Ideal for pathways, walkways, patios, and small areas.

The tropical leaf shaped LED landscape pathway light offers a unique lighting fixture design that is perfect for all outdoor spaces, patios, and walkways particularly when customers have tropical plant life as part of their natural landscaping.

PRODUCT DIMENSIONS & BEAM SPREAD

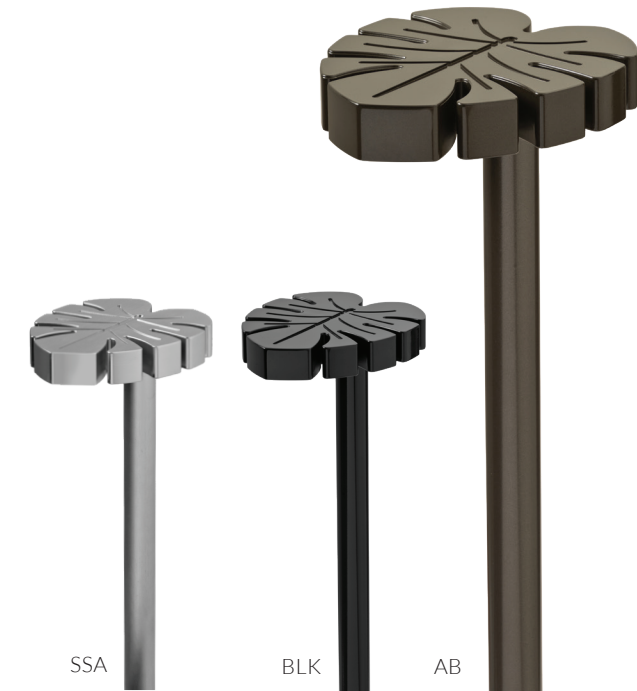


FEATURES & BENEFITS

- Built in the U.S.A.
- CNC-machined from 6061 aircraft-grade aluminum.
- U.S.A. made light engine and driver.
- Built in surge protector.
- IP67 rated.
- CREE 2 step binned LEDs with L70 over 80,000 hours.

SPECIFICATIONS

- **Construction:** 6061 aircraft-grade aluminum
- **Finishes:** Architectural Bronze (AB), Black (BLK), Stainless Aluminum (SSA)
- **Lead Wire:** 38" 22 AWG tinned copper
- **Mounting:** 8.5" LV131 ground stake
- **Driver System:** External
- **Operating Voltage:** 10.5-18 VAC
- **CRI:** 80+
- **Beam Spread:** 120°



POWER CONSUMPTION

COLOR TEMPERATURE	WATTAGE	VA	LUMENS
3000K*	1W	2VA	115LM

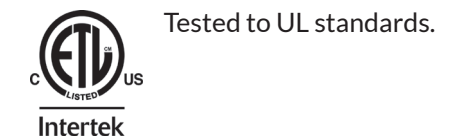
ADDITIONAL COLOR TEMPERATURE OPTIONS

- 2700K • 5000K • Amber • Blue • Royal Blue
- Green • Red

WARRANTY

20 Year Limited Warranty

CERTIFICATIONS



*Indicates stocked items. Non-stocked items require 5-7 business days additional lead time, special order deposit and are non-refundable.

IES files can be found at www.gardenlightled.com



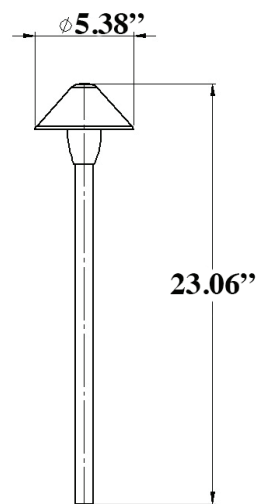
PL005 LED | Brass Tiki 5" Path Light

PRODUCT DESCRIPTION

Ideal for pathways, walkways, patios, and small areas.

The PL005 brass path light is the solution for your more traditional landscape designs. This fixture has been upgraded to an LED light engine for a significantly brighter and more efficient output.

PRODUCT DIMENSIONS



FEATURES & BENEFITS

- Built in the U.S.A.
- U.S.A. made light engine and driver.
- Built in surge protector.
- Field serviceable.
- IP66 rated.
- CREE 2 step binned LEDs with L70 over 80,000 hours.

SPECIFICATIONS

- **Construction:** Solid brass
- **Lead Wire:** 27" 18 AWG tinned copper
- **Mounting:** 8" LV180 ground stake
- **Driver System:** External
- **Operating Voltage:** 10.5-18 VAC
- **CRI:** 80+
- **Beam Spread:** Flood



SOLID BRASS

POWER CONSUMPTION

COLOR TEMPERATURE	WATTAGE	VA	LUMENS
● 3000K*	2W	5VA	160LM

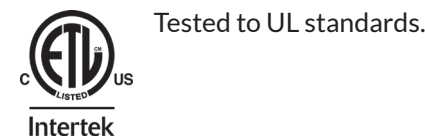
ADDITIONAL COLOR TEMPERATURE OPTIONS

- 2700K ● 5000K ● Amber ● Blue ● Royal Blue
- Green ● Red

WARRANTY

20 Year Limited Warranty

CERTIFICATIONS



*Indicates stocked items. Non-stocked items require 5-7 business days additional lead time, special order deposit and are non-refundable.



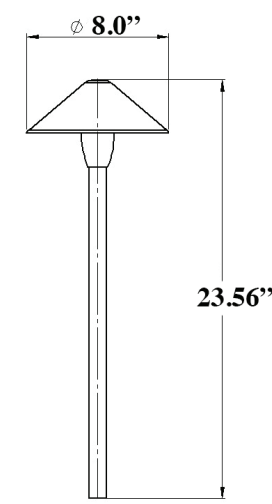
PL006 LED | Brass Tiki 7" Path Light

PRODUCT DESCRIPTION

Ideal for pathways, walkways, patios, and small areas.

The PL006 brass path light is the solution for your more traditional landscape designs. This fixture has been upgraded to an LED light engine for a significantly brighter and more efficient output.

PRODUCT DIMENSIONS



FEATURES & BENEFITS

- Built in the U.S.A.
- U.S.A. made light engine and driver.
- Built in surge protector.
- Field serviceable.
- IP66 rated.
- CREE 2 step binned LEDs with L70 over 80,000 hours.

SPECIFICATIONS

- **Construction:** Solid brass
- **Lead Wire:** 27" 18 AWG tinned copper
- **Mounting:** 8" LV180 ground stake
- **Driver System:** External
- **Operating Voltage:** 10.5-18 VAC
- **CRI:** 80+
- **Beam Spread:** Flood



SOLID BRASS

POWER CONSUMPTION

COLOR TEMPERATURE	WATTAGE	VA	LUMENS
● 3000K*	2W	5VA	160LM

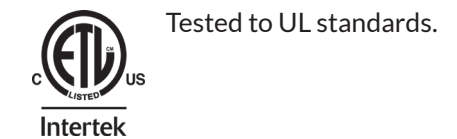
ADDITIONAL COLOR TEMPERATURE OPTIONS

- 2700K ● 5000K ● Amber ● Blue ● Royal Blue
- Green ● Red

WARRANTY

20 Year Limited Warranty

CERTIFICATIONS



*Indicates stocked items. Non-stocked items require 5-7 business days additional lead time, special order deposit and are non-refundable.



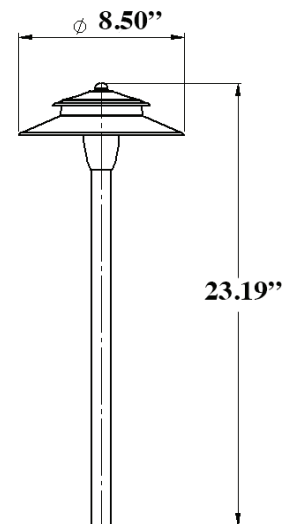
PL013 LED | Brass Villa Path Light

PRODUCT DESCRIPTION

Ideal for pathways, walkways, patios, and small areas.

The PL013 brass path light is the solution for your more traditional landscape designs. This fixture has been upgraded to an LED light engine for a significantly brighter and more efficient output.

PRODUCT DIMENSIONS



FEATURES & BENEFITS

- Built in the U.S.A.
- U.S.A. made light engine and driver.
- Built in surge protector.
- Field serviceable.
- IP66 rated.
- CREE 2 step binned LEDs with L70 over 80,000 hours.

SPECIFICATIONS

- **Construction:** Solid brass
- **Lead Wire:** 27" 18 AWG tinned copper
- **Mounting:** 8" LV180 Ground Stake
- **Driver System:** External
- **Operating Voltage:** 10.5-18 VAC
- **CRI:** 80+
- **Beam Spread:** Flood



SOLID BRASS

POWER CONSUMPTION

COLOR TEMPERATURE	WATTAGE	VA	LUMENS
● 3000K*	2W	5VA	160LM

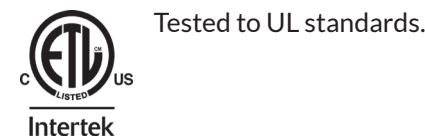
ADDITIONAL COLOR TEMPERATURE OPTIONS

- 2700K ● 5000K ● Amber ● Blue ● Royal Blue
- Green ● Red

WARRANTY

20 Year Limited Warranty

CERTIFICATIONS



*Indicates stocked items. Non-stocked items require 5-7 business days additional lead time, special order deposit and are non-refundable.



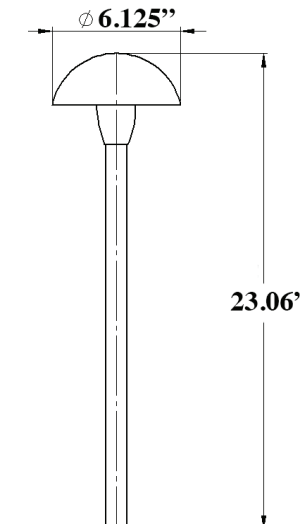
PL800 LED | Brass Mushroom Path Light

PRODUCT DESCRIPTION

Ideal for pathways, walkways, patios, and small areas.

The PL800 brass path light is the solution for your more traditional landscape designs. This fixture has been upgraded to an LED light engine for a significantly brighter and more efficient output.

PRODUCT DIMENSIONS



FEATURES & BENEFITS

- Built in the U.S.A.
- U.S.A. made light engine and driver.
- Built in surge protector.
- Field serviceable.
- IP66 rated.
- CREE 2 step binned LEDs with L70 over 80,000 hours.

SPECIFICATIONS

- **Construction:** Solid brass
- **Lead Wire:** 27" 18 AWG tinned copper
- **Mounting:** 8" LV180 ground stake
- **Driver System:** External
- **Operating Voltage:** 10.5-18 VAC
- **CRI:** 80+
- **Beam Spread:** Flood



SOLID BRASS

POWER CONSUMPTION

COLOR TEMPERATURE	WATTAGE	VA	LUMENS
● 3000K*	2W	5VA	160LM

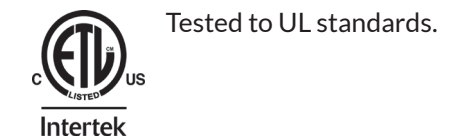
ADDITIONAL COLOR TEMPERATURE OPTIONS

- 2700K ● 5000K ● Amber ● Blue ● Royal Blue
- Green ● Red

WARRANTY

20 Year Limited Warranty

CERTIFICATIONS



*Indicates stocked items. Non-stocked items require 5-7 business days additional lead time, special order deposit and are non-refundable.



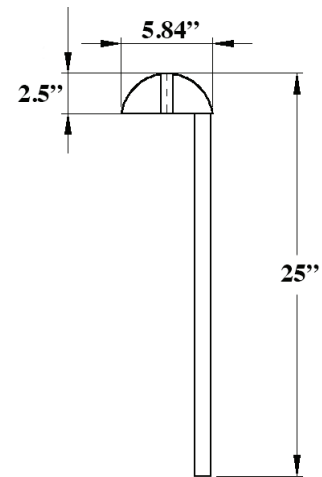
F9020 LED | Miami Path Light

PRODUCT DESCRIPTION

Ideal for pathways, walkways, patios, and small areas.

The Miami path light is our original light designed for landscape lighting walkway applications. These attractive, low voltage fixtures will enhance both beauty and safety.

PRODUCT DIMENSIONS



FEATURES & BENEFITS

- Built in the U.S.A.
- U.S.A. made light engine and driver.
- Built in surge protector.
- Field serviceable.
- IP66 rated.
- CREE 2 step binned LEDs with L70 over 80,000 hours.

SPECIFICATIONS

- **Construction:** Die cast aluminum
- **Finishes:** Architectural Bronze (AB), Black (BLK)
- **Lead Wire:** 27" 18 AWG tinned copper
- **Mounting:** 8" LV180 ground stake
- **Driver System:** External
- **Operating Voltage:** 10.5-18 VAC
- **CRI:** 80+
- **Beam Spread:** Flood



POWER CONSUMPTION

COLOR TEMPERATURE	WATTAGE	VA	LUMENS
3000K*	2W	5VA	160LM

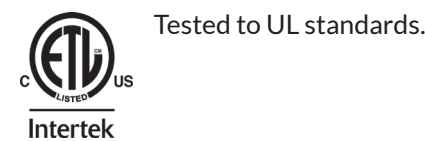
ADDITIONAL COLOR TEMPERATURE OPTIONS

- 2700K • 5000K • Amber • Blue • Royal Blue
- Green • Red

WARRANTY

20 Year Limited Warranty

CERTIFICATIONS



*Indicates stocked items. Non-stocked items require 5-7 business days additional lead time, special order deposit and are non-refundable.



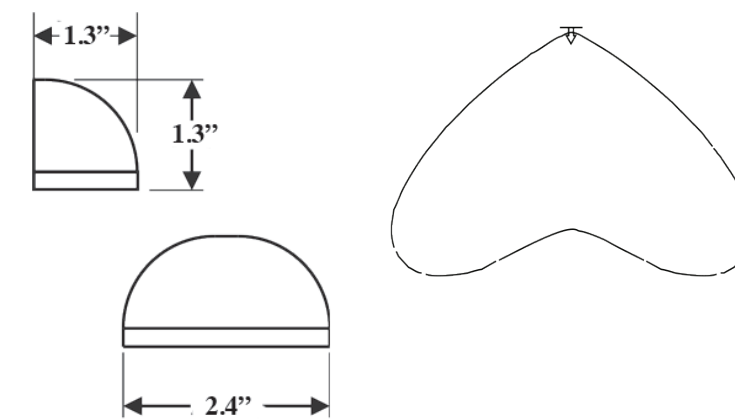
DL15-II | Mini Deck Light

PRODUCT DESCRIPTION

Ideal for decks, railings, wall mounts, step lighting, and fences.

The Mini Deck Light can be easily mounted under railings to illuminate steps or used on fences to provide safety. With the Micro Max integrated light engine, this fixture is small but powerful.

PRODUCT DIMENSIONS & BEAM SPREAD

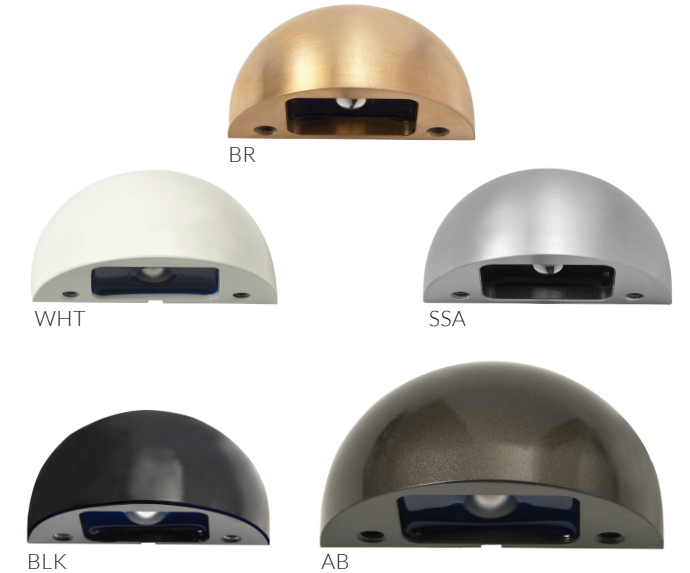


FEATURES & BENEFITS

- Built in the U.S.A.
- CNC-machined from 6061 aircraft-grade aluminum or raw brass.
- U.S.A. made light engine and driver.
- Built in surge protector.
- IP67 rated.
- CREE 2 step binned LEDs with L70 over 80,000 hours.

SPECIFICATIONS

- **Construction:** 6061 aircraft-grade aluminum or raw brass
- **Finishes:** Architectural Bronze (AB), Black (BLK), White (WHT), Stainless Aluminum (SSA), Brass (BR)
- **Lead Wire:** 60" 22 AWG tinned copper
- **Mounting:** Bracket included
- **Driver System:** Internal
- **Operating Voltage:** 10.5-18 VAC
- **CRI:** 80+
- **Beam Spread:** 120°
- **Accessories:** Deck light shrouds (not included)



POWER CONSUMPTION

COLOR TEMPERATURE	WATTAGE	VA	LUMENS
3000K*	1W	2VA	115LM

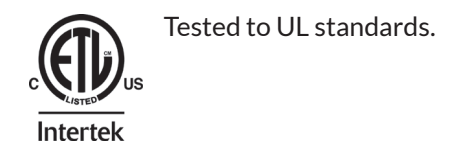
ADDITIONAL COLOR TEMPERATURE OPTIONS

- 2700K • 5000K • Amber • Blue • Royal Blue
- Green • Red

WARRANTY

20 Year Limited Warranty

CERTIFICATIONS



*Indicates stocked items. Non-stocked items require 5-7 business days additional lead time, special order deposit and are non-refundable.

IES files can be found at www.gardenlightled.com



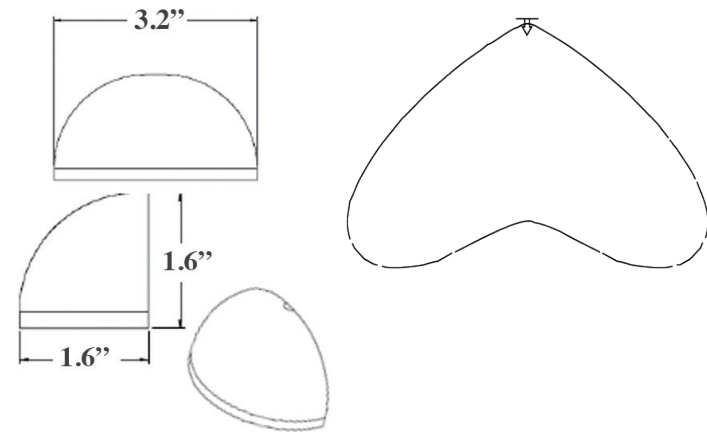
DL20 | Large Deck Light

PRODUCT DESCRIPTION

Ideal for decks, railings, wall mounts, step lighting, and fences.

The Large Deck Light can be easily mounted under railings to illuminate steps or used on fences to provide safety. With the Micro Max integrated light engine, this fixture provides beauty and safety.

PRODUCT DIMENSIONS & BEAM SPREAD

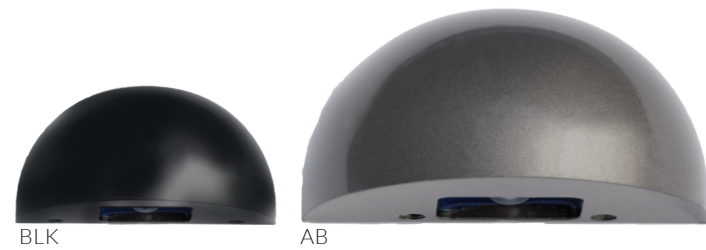


FEATURES & BENEFITS

- Built in the U.S.A.
- CNC-machined from 6061 aircraft-grade aluminum.
- U.S.A. made light engine and driver.
- Built in surge protector.
- IP67 rated.
- CREE 2 step binned LEDs with L70 over 80,000 hours.

SPECIFICATIONS

- **Construction:** 6061 aircraft-grade aluminum
- **Finishes:** Architectural Bronze (AB), Black (BLK)
- **Lead Wire:** 60" 22 AWG tinned copper
- **Mounting:** Bracket included
- **Driver System:** Internal
- **Operating Voltage:** 10.5-18 VAC
- **CRI:** 80+
- **Beam Spread:** 120°



POWER CONSUMPTION

COLOR TEMPERATURE	WATTAGE	VA	LUMENS
3000K*	1W	2VA	115LM

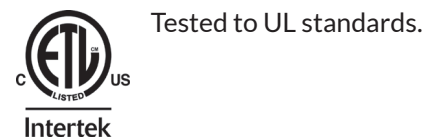
ADDITIONAL COLOR TEMPERATURE OPTIONS

- 2700K • 5000K • Amber • Blue • Royal Blue
- Green • Red

WARRANTY

20 Year Limited Warranty

CERTIFICATIONS



*Indicates stocked items. Non-stocked items require 5-7 business days additional lead time, special order deposit and are non-refundable.

IES files can be found at www.gardenlightled.com



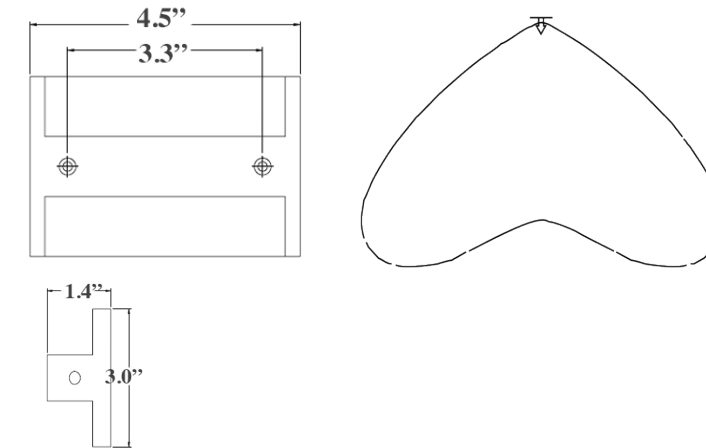
DL15 CURVE | Deck Light Curve

PRODUCT DESCRIPTION

Ideal for decks, railings, wall mounts, step lighting, and fences.

With its unique housing design, the Deck Light Curve is used to emphasize or re-define the overall visual composition of any wall, steps or even decks.

PRODUCT DIMENSIONS & BEAM SPREAD

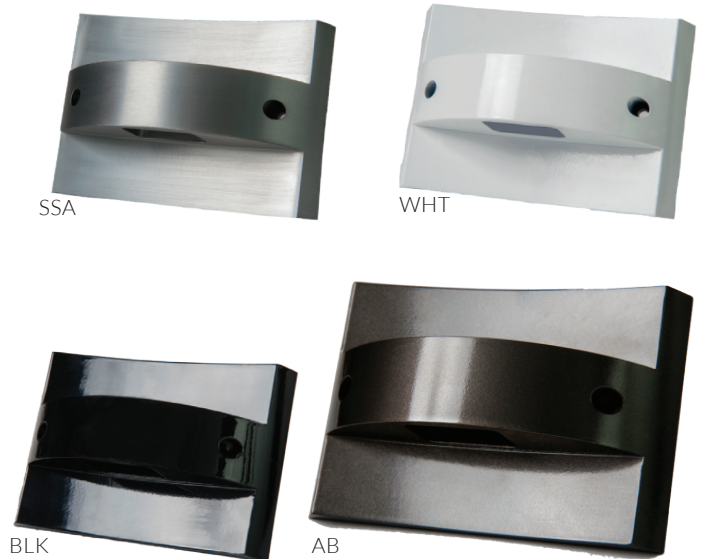


FEATURES & BENEFITS

- Built in the U.S.A.
- CNC-machined from 6061 aircraft-grade aluminum.
- U.S.A. made light engine and driver.
- Built in surge protector.
- IP67 rated.
- CREE 2 step binned LEDs with L70 over 80,000 hours.

SPECIFICATIONS

- **Construction:** 6061 aircraft-grade aluminum
- **Finishes:** Architectural Bronze (AB), Black (BLK), White (WHT), Stainless Aluminum (SSA)
- **Lead Wire:** 60" 22 AWG tinned copper
- **Mounting:** Bracket included
- **Driver System:** Internal
- **Operating Voltage:** 10.5-18 VAC
- **CRI:** 80+
- **Beam Spread:** 120°



POWER CONSUMPTION

COLOR TEMPERATURE	WATTAGE	VA	LUMENS
3000K*	1W	2VA	115LM

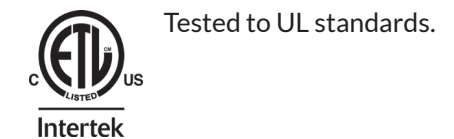
ADDITIONAL COLOR TEMPERATURE OPTIONS

- 2700K • 5000K • Amber • Blue • Royal Blue
- Green • Red

WARRANTY

20 Year Limited Warranty

CERTIFICATIONS



*Indicates stocked items. Non-stocked items require 5-7 business days additional lead time, special order deposit and are non-refundable.

IES files can be found at www.gardenlightled.com



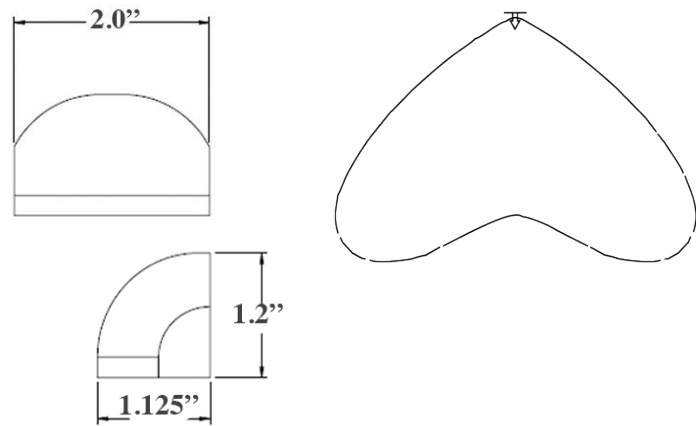
DL15 PC | Pool Cage Light

PRODUCT DESCRIPTION

Ideal for pool cages, decks, railings, wall mounts, step lighting, and fences.

This durable LED has the Micro Max light engine integrated into the housing. This fixture can be seamlessly installed onto screen cage enclosures and structures around pools.

PRODUCT DIMENSIONS & BEAM SPREAD



FEATURES & BENEFITS

- Built in the U.S.A.
- CNC-machined from 6061 aircraft-grade aluminum.
- U.S.A. made light engine and driver.
- Built in surge protector.
- IP67 rated.
- CREE 2 step binned LEDs with L70 over 80,000 hours.

SPECIFICATIONS

- **Construction:** 6061 aircraft-grade aluminum
- **Finishes:** Architectural Bronze (AB), Black (BLK), White (WHT)
- **Lead Wire:** 60" 22 AWG tinned copper
- **Mounting:** Bracket included
- **Driver System:** Internal
- **Operating Voltage:** 10.5-18 VAC
- **CRI:** 80+
- **Beam Spread:** 120°



POWER CONSUMPTION

COLOR TEMPERATURE	WATTAGE	VA	LUMENS
3000K*	1W	2VA	115LM

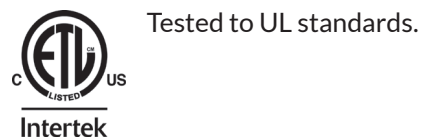
ADDITIONAL COLOR TEMPERATURE OPTIONS

- 2700K • 5000K • Amber • Blue • Royal Blue • Green • Red

WARRANTY

20 Year Limited Warranty

CERTIFICATIONS



*Indicates stocked items. Non-stocked items require 5-7 business days additional lead time, special order deposit and are non-refundable.

IES files can be found at www.gardenlightled.com



DL-TF | Turtle Friendly Mini Deck Light

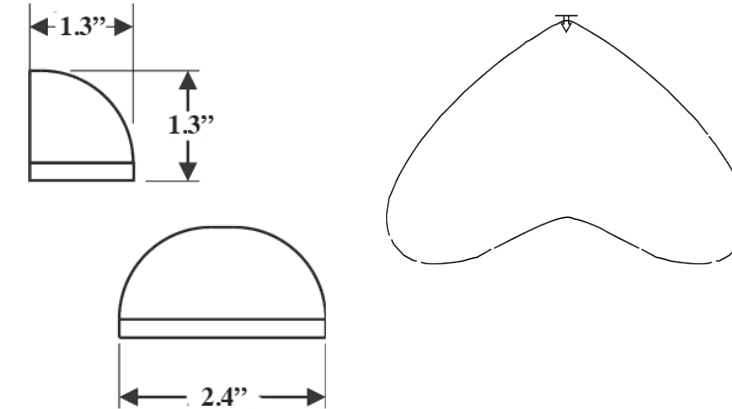
PRODUCT DESCRIPTION

Ideal for decks, railings, wall mounts, step lighting, and fences.

The Mini Deck Light can be easily mounted under railings to illuminate steps or used on fences to provide safety. This fixture meets the requirements of the Florida Fish and Wildlife Conservation Commission (FWC) for decreased lighting pollution on or near beachfront property to protect the sea turtles.



PRODUCT DIMENSIONS & BEAM SPREAD



FEATURES & BENEFITS

- Built in the U.S.A.
- CNC-machined from 6061 aircraft-grade aluminum or raw brass.
- U.S.A. made light engine and driver.
- Built in surge protector.
- IP67 rated.
- CREE 2 step binned LEDs with L70 over 80,000 hours.

SPECIFICATIONS

- **Construction:** 6061 aircraft-grade aluminum or raw brass
- **Finishes:** Stainless Aluminum (SSA), Brass (BR)
- **Lead Wire:** 60" 22 AWG tinned copper
- **Mounting:** Bracket included
- **Driver System:** Internal
- **Operating Voltage:** 10.5-18 VAC
- **CRI:** 80+
- **Beam Spread:** 120°
- **Accessories:** Deck light shrouds (not included)

POWER CONSUMPTION

COLOR TEMPERATURE	WATTAGE	VA
Amber*	1W	1VA
Red*	1W	1VA
Extreme Red*	1W	1VA
Red Orange*	1W	1VA

WARRANTY

20 Year Limited Warranty

CERTIFICATIONS



Tested to UL standards.

*Non-stocked items require 5-7 business days additional lead time, special order deposit and are non-refundable.



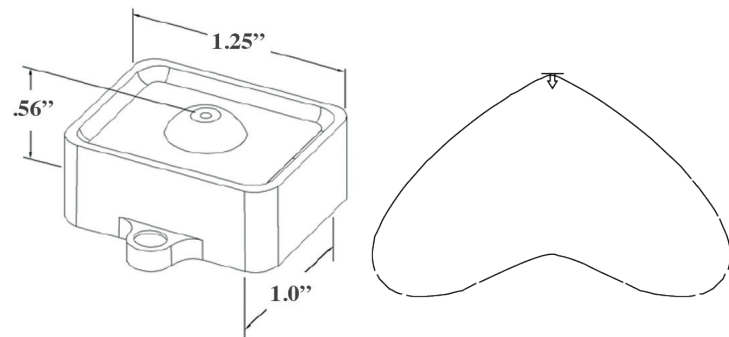
MM-TF | Turtle Friendly Micro Max

PRODUCT DESCRIPTION

Ideal for railings, water features, ceiling beam downlighting, walkways, decks, gazebos, statues, planters, lanais, fences, fire pits and benches.

The Micro Max is an LED luminaire you simply cannot get anywhere else. Small and powerful, this fixture can add life to water features and safety to the areas that surround it. This fixture meets the requirements of the Florida Fish and Wildlife Conservation Commission (FWC) for decreased lighting pollution on or near beachfront property to protect the sea turtles.

PRODUCT DIMENSIONS & BEAM SPREAD



FEATURES & BENEFITS

- Built in the U.S.A.
- CNC-machined from 6061 aircraft-grade aluminum or raw brass.
- U.S.A. made light engine and driver.
- Built in surge protector.
- IP67 rated. (Fully submersible option available upon special order request)
- CREE 2 step binned LEDs with L70 over 80,000 hours.

SPECIFICATIONS

- **Construction:** 6061 aircraft-grade aluminum or raw brass
- **Finishes:** Black (BLK), Brass (BR)
- **Lead Wire:** 60" 22 AWG tinned copper
- **Driver System:** Internal
- **Operating Voltage:** 10.5-18 VAC
- **CRI:** 80+
- **Beam Spread:** 120°
- **Accessories:** Full or front shields (not included)

POWER CONSUMPTION

COLOR TEMPERATURE	WATTAGE	VA
● Amber*	1W	1VA
● Red*	1W	1VA
● Extreme Red*	1W	1VA
● Red Orange*	1W	1VA

WARRANTY

20 Year Limited Warranty

CERTIFICATIONS



Tested to UL standards.

*Non-stocked items require 5-7 business days additional lead time, special order deposit and are non-refundable.



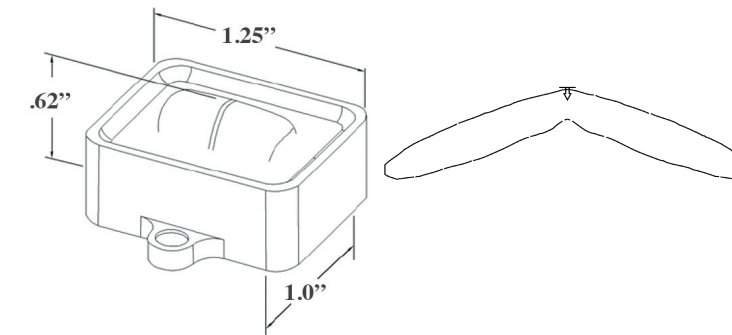
OWL-TF | Turtle Friendly Owl

PRODUCT DESCRIPTION

Ideal for benches, countertops, stonewalls, and garages.

With its long linear beam, the Owl Micro Series fixture is your go-to light for outdoor living spaces. With this oblong optic, you can use less fixtures than when using traditional accent lights. This fixture meets the requirements of the Florida Fish and Wildlife Conservation Commission (FWC) for decreased lighting pollution on or near beachfront property to protect the sea turtles.

PRODUCT DIMENSIONS & BEAM SPREAD



FEATURES & BENEFITS

- Built in the U.S.A.
- CNC-machined from 6061 aircraft-grade aluminum or raw brass.
- U.S.A. made light engine and driver.
- Built in surge protector.
- IP67 rated. (Fully submersible option available upon special order request)
- CREE 2 step binned LEDs with L70 over 80,000 hours.

SPECIFICATIONS

- **Construction:** 6061 aircraft-grade aluminum or raw brass
- **Finishes:** Black (BLK), Brass (BR)
- **Lead Wire:** 60" 22 AWG tinned copper
- **Driver System:** Internal
- **Operating Voltage:** 10.5-18 VAC
- **CRI:** 80+
- **Accessories:** Full or front shields (not included)



POWER CONSUMPTION

COLOR TEMPERATURE	WATTAGE	VA
● Amber*	1W	1VA
● Red*	1W	1VA
● Extreme Red*	1W	1VA
● Red Orange*	1W	1VA

WARRANTY

20 Year Limited Warranty

CERTIFICATIONS



Tested to UL standards.

*Non-stocked items require 5-7 business days additional lead time, special order deposit and are non-refundable.



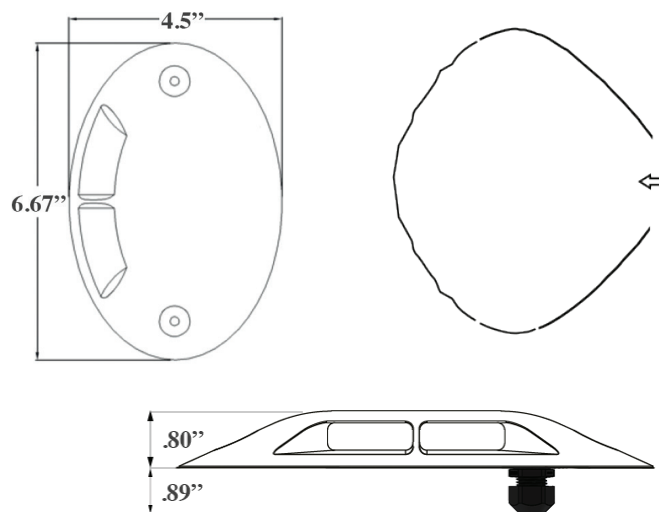
X-LIGHT-SGL | Turtle Friendly Single Sided

PRODUCT DESCRIPTION

Ideal for pathways, wall sconces, patios, docks, and driveways.

Garden Light LED's latest innovation, the ultra-low-profile X-Light is perfect for hardscapes, docks, walkways, and driveways. This sleek modern design is less than 1" tall and is available in brass and stainless steel. This fixture meets the requirements of the Florida Fish and Wildlife Conservation Commission (FWC) for decreased lighting pollution on or near beachfront property to protect the sea turtles.

PRODUCT DIMENSIONS & BEAM SPREADS



SS



BR

POWER CONSUMPTION

COLOR TEMPERATURE	WATTAGE	VA
● Amber*	2W	3VA
● Red*	2W	3VA
● Extreme Red*	2W	3VA
● Red Orange*	2W	3VA

WARRANTY

20 Year Limited Warranty

CERTIFICATIONS



Tested to UL standards.

*Non-stocked items require 5-7 business days additional lead time, special order deposit and are non-refundable.

FEATURES & BENEFITS

- Built in the U.S.A.
- Made from stainless steel or brass.
- U.S.A. made light engine and driver.
- Built in surge protector.
- Neoprene seal to prevent leaks.
- IP67 rated.
- CREE 2 step binned LEDs with L70 over 80,000 hours.

SPECIFICATIONS

- **Construction:** Stainless steel or brass
- **Finishes:** Stainless Steel (SS), Brass (BR)
- **Lead Wire:** 60" 18 AWG tinned copper
- **Mounting:** Surface plate included
- **Driver System:** Internal
- **Operating Voltage:** 10.5-18 VAC
- **CRI:** 80+
- **Optics:** Diffused and Non-Diffused



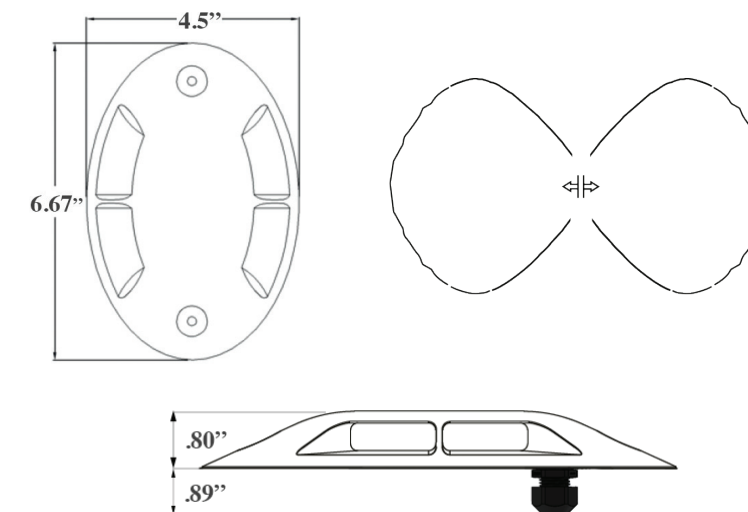
X-LIGHT-DBL-TF | Turtle Friendly Double Sided

PRODUCT DESCRIPTION

Ideal for pathways, wall sconces, patios, docks, and driveways.

Garden Light LED's latest innovation, the ultra-low-profile X-Light is perfect for hardscapes, docks, walkways, and driveways. This sleek modern design is less than 1" tall and is available in brass and stainless steel. This fixture meets the requirements of the Florida Fish and Wildlife Conservation Commission (FWC) for decreased lighting pollution on or near beachfront property to protect the sea turtles.

PRODUCT DIMENSIONS & BEAM SPREADS



SS



BR

POWER CONSUMPTION

COLOR TEMPERATURE	WATTAGE	VA
● Amber*	2W	3VA
● Red*	2W	3VA
● Extreme Red*	2W	3VA
● Red Orange*	2W	3VA

WARRANTY

20 Year Limited Warranty

CERTIFICATIONS



Tested to UL standards.

*Non-stocked items require 5-7 business days additional lead time, special order deposit and are non-refundable.

FEATURES & BENEFITS

- Built in the U.S.A.
- Made from stainless steel or brass.
- U.S.A. made light engine and driver.
- Built in surge protector.
- Neoprene seal to prevent leaks.
- IP67 rated.
- CREE 2 step binned LEDs with L70 over 80,000 hours.

SPECIFICATIONS

- **Construction:** Stainless steel or brass
- **Finishes:** Stainless Steel (SS), Brass (BR)
- **Lead Wire:** 60" 18 AWG tinned copper
- **Mounting:** Surface plate included
- **Driver System:** Internal
- **Operating Voltage:** 10.5-18 VAC
- **CRI:** 80+
- **Optics:** Diffused and Non-Diffused



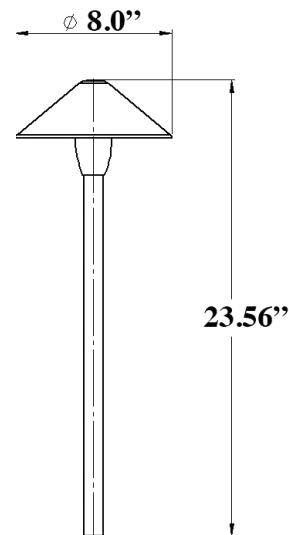
PL006 LED-TF | Turtle Friendly Brass Tiki 7" Path Light

PRODUCT DESCRIPTION

Ideal for pathways, walkways, patios, and small areas.

The PL006 brass path light is the solution for your more traditional landscape designs. This fixture has been upgraded to an LED light engine for a significantly brighter and more efficient output. This fixture meets the requirements of the Florida Fish and Wildlife Conservation Commission (FWC) for decreased lighting pollution on or near beachfront property to protect the sea turtles.

PRODUCT DIMENSIONS



SOLID BRASS

POWER CONSUMPTION

COLOR TEMPERATURE	WATTAGE	VA
● Amber*	2W	5VA
● Red*	2W	4VA
● Extreme Red*	2W	4VA
● Red Orange*	2W	4VA

WARRANTY

20 Year Limited Warranty

CERTIFICATIONS



Tested to UL standards.

**Non-stocked items require 5-7 business days additional lead time, special order deposit and are non-refundable.*

FEATURES & BENEFITS

- Built in the U.S.A.
- U.S.A. made light engine and driver.
- Built in surge protector.
- Field serviceable.
- IP66 rated.
- CREE 2 step binned LEDs with L70 over 80,000 hours.

SPECIFICATIONS

- **Construction:** Solid brass
- **Lead Wire:** 27" 18 AWG tinned copper
- **Mounting:** 8" LV180 ground stake
- **Driver System:** External
- **Operating Voltage:** 10.5-18 VAC
- **CRI:** 80+
- **Beam Spread:** Flood



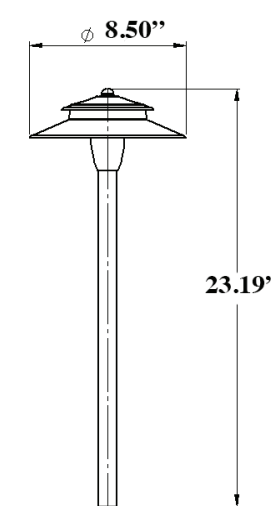
PL013 LED-TF | Turtle Friendly Brass Villa Path Light

PRODUCT DESCRIPTION

Ideal for pathways, walkways, patios, and small areas.

The PL013 brass path light is the solution for your more traditional landscape designs. This fixture has been upgraded to an LED light engine for a significantly brighter and more efficient output. This fixture meets the requirements of the Florida Fish and Wildlife Conservation Commission (FWC) for decreased lighting pollution on or near beachfront property to protect the sea turtles.

PRODUCT DIMENSIONS



SOLID BRASS

POWER CONSUMPTION

COLOR TEMPERATURE	WATTAGE	VA
● Amber*	2W	5VA
● Red*	2W	4VA
● Extreme Red*	2W	4VA
● Red Orange*	2W	4VA

WARRANTY

20 Year Limited Warranty

CERTIFICATIONS



Tested to UL standards.

**Non-stocked items require 5-7 business days additional lead time, special order deposit and are non-refundable.*

FEATURES & BENEFITS

- Built in the U.S.A.
- U.S.A. made light engine and driver.
- Built in surge protector.
- Field serviceable.
- IP66 rated.
- CREE 2 step binned LEDs with L70 over 80,000 hours.

SPECIFICATIONS

- **Construction:** Solid brass
- **Lead Wire:** 27" 18 AWG tinned copper
- **Mounting:** 8" LV180 ground stake
- **Driver System:** External
- **Operating Voltage:** 10.5-18 VAC
- **CRI:** 80+
- **Beam Spread:** Flood



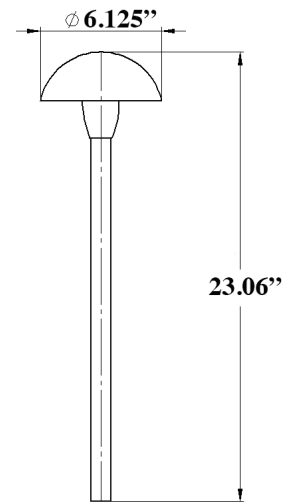
PL800 LED-TF | Turtle Friendly Brass Mushroom Path Light

PRODUCT DESCRIPTION

Ideal for pathways, walkways, patios, and small areas.

The PL800 brass path light is the solution for your more traditional landscape designs. This fixture has been upgraded to an LED light engine for a significantly brighter and more efficient output. This fixture meets the requirements of the Florida Fish and Wildlife Conservation Commission (FWC) for decreased lighting pollution on or near beachfront property to protect the sea turtles.

PRODUCT DIMENSIONS



FEATURES & BENEFITS

- Built in the U.S.A.
- U.S.A. made light engine and driver.
- Built in surge protector.
- Field serviceable.
- IP66 rated.
- CREE 2 step binned LEDs with L70 over 80,000 hours.

SPECIFICATIONS

- **Construction:** Solid brass
- **Lead Wire:** 27" 18 AWG tinned copper
- **Mounting:** 8" LV180 ground stake
- **Driver System:** External
- **Operating Voltage:** 10.5-18 VAC
- **CRI:** 80+
- **Beam Spread:** Flood



SOLID BRASS

POWER CONSUMPTION

COLOR TEMPERATURE	WATTAGE	VA
● Amber*	2W	5VA
● Red*	2W	4VA
● Extreme Red*	2W	4VA
● Red Orange*	2W	4VA

WARRANTY

20 Year Limited Warranty

CERTIFICATIONS



Tested to UL standards.

*Non-stocked items require 5-7 business days additional lead time, special order deposit and are non-refundable.



TRANSFORMERS | 60W, 100W, 150W- Low Voltage

PRODUCT DESCRIPTION

Garden Light LED's line of transformers is optimized for the low-voltage, 12-volt power demands of LED outdoor landscape lighting systems. That means more energy savings and lower operational costs!

With 100% stainless steel housing and high-quality magnetic secondary breakers, the full Garden Light LED lighting system offers you triple power surge protection. With surge protection on the primary and secondary sides of the transformer, and an additional layer of protection built into each driver, this system is built to last a lifetime.

FEATURES & BENEFITS

- 2 Standard 3/4" or 1" knockouts for wire access
- 1 standard 3/4" knockout for optional photocell
- Any single tap will support 100% of the rated wattage
- Key components are field serviceable and easily replaceable
- Standard NEMA 5-15 receptacle for optional plug-in timer
- 5' grounded power cord
- Built-in surge protection on primary and secondary

SPECIFICATIONS

- **Application:** Small to Medium Island Runs
- **Dimensions:** 4.25" x 4" x 11" (60W), 4.25" x 5" x 11" (100W & 150W)
- **Construction:** 100% Stainless Steel housing
- **Input Power:** 110-120 Volts AC 60Hz
- **Output Power:** 60/100W: 15VAC Output
150W: 12VAC and 15VAC Output

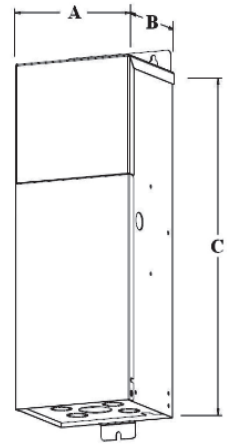
WARRANTY

Lifetime Warranty

CERTIFICATIONS



PRODUCT DIMENSIONS



60W



100W



150W



TRANSFORMERS | 300W, 600W, 900W, 1200W- Low Voltage

PRODUCT DESCRIPTION

Garden Light LED's line of transformers is optimized for the low-voltage, 12-volt power demands of LED outdoor landscape lighting systems. That means more energy savings and lower operational costs!

With 100% stainless steel housing and high-quality magnetic secondary breakers, the full Garden Light LED lighting system offers you triple power surge protection. With surge protection on the primary and secondary sides of the transformer, and an additional layer of protection built into each driver, this system is built to last a lifetime.

FEATURES & BENEFITS

- 4 Standard 3/4" or 1" knockouts for wire access
- 1 standard 3/4" knockout for optional photocell
- Any single tap will support 100% of the rated wattage
- Key components are field serviceable and easily replaceable
- Standard NEMA 5-15 receptacle for optional plug-in timer
- 5' grounded power cord
- Built-in surge protection on primary and secondary

SPECIFICATIONS

- **Application:** Medium and Large Island Runs.
- **Dimensions:** 5.25" x 5.25" x 17" (300W), 6.50" x 5.50" x 17" (600W, 900W & 1200W)
- **Construction:** 100% Stainless Steel housing. High quality magnetic secondary breakers.
- **Input Power:** 110-120 Volts AC 60Hz.
- **Output Power:** 12VAC, 13VAC, 14VAC, 15VAC Output on all models.

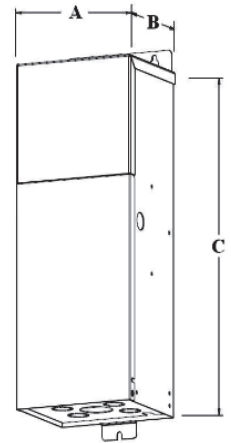
WARRANTY

Lifetime Warranty

CERTIFICATIONS



PRODUCT DIMENSIONS



300W



600W



900W



1200W



6112 Benjamin Road, Tampa, FL 33634 | 800-511-2099 | 813-901-5595
gardenlightled.com