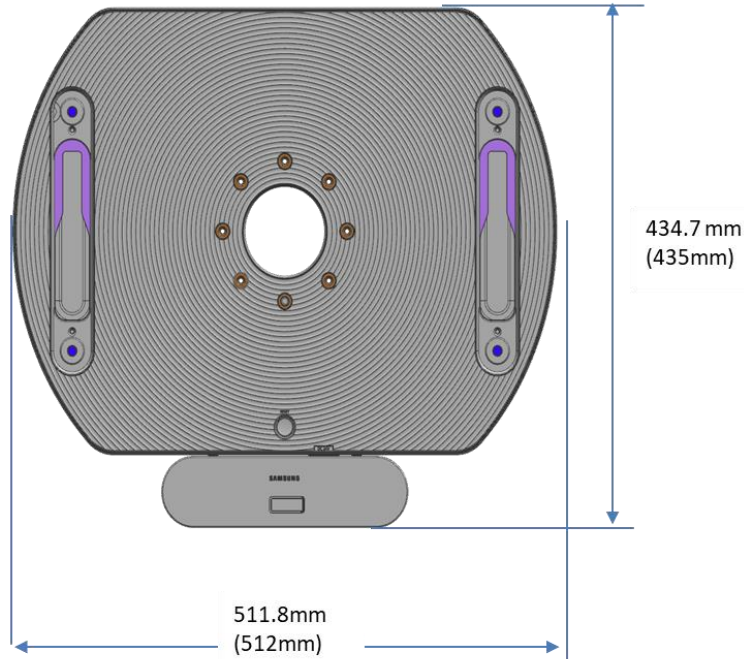


Auto Rotating Accessory

**Dimensions in millimeters (+ / - 0.1 mm)*



Wall Mount

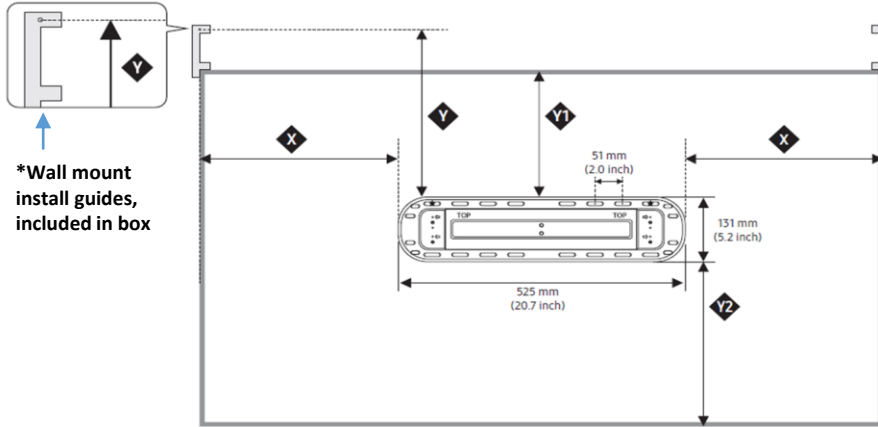


Model Name	VG-ARAB22WMT**	VG-ARAB43WMT**
TYPE	WALL MOUNT	
VESA SIZE	200*200	400*300
Compatibility	'22 The Frame (LS03B) 43"/50"/55" '22 NeoQLED 4K (QN90B) 43"/50"/55"	'22 The Frame (LS03B) 65" '22 NeoQLED 4K (QN95B) 55"/65" '22 NeoQLED 8K (QN900B) 65" '22 NeoQLED 8K (QN800B) 65" '22 NeoQLED 8K (QN700B) 55"/65"
SET(Without stand) (W * H * D)mm	512 * 435 * 19.9	512 * 458 * 24.3

Auto Rotating Accessory

**Dimensions in millimeters (+ / - 0.1 mm)*

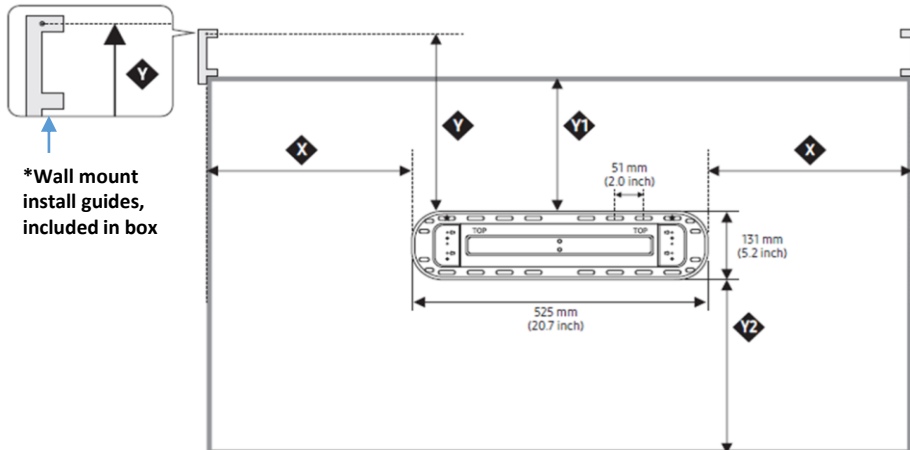
Wall Mount – VG-ARAB22WMT



*Wall mount install guides, included in box

Model	cm (inches)	X	mm(inches)		Y1	Y2
			A TYPE	B TYPE		
LS03B	108 (43)	222 (8.7)	255.6 (10.1)	266.6 (10.5)	174±20 (6.9±1)	245±20 (10±1)
	125 (50)	299.3 (11.8)	299.1 (11.8)	310.1 (12.2)	217±20 (8.6±1)	298±20 (11.8±1)
	138 (55)	357.3 (14.0)	331.1 (13.1)	342.1 (13.5)	249±20 (9.8±1)	330±20 (13±1)
QN90B QN85B	108 (43)	217.7 (8.6)	252.4 (10)	263.4 (10.4)	170±20 (6.7±1)	257±20 (10.2±1)
	125 (50)	294 (11.6)	297.3 (11.7)	308.3 (12.2)	215±20 (8.5±1)	297±20 (11.7±1)
	138 (55)	351 (13.8)	328.2 (13)	339.2 (13.4)	256±20 (10.1±1)	326±20 (12.9±1)

Wall Mount – VG-ARAB43WMT



*Wall mount install guides, included in box

Model	cm (inches)	X	mm(inches)		Y1	Y2
			A TYPE	B TYPE		
QN900B QN800B QN700B QN95B	138 (55)	349.6 (13.7)	324.6 (12.8)	335.6 (13.2)	243±20 (9.6±1)	327±20 (12.9±1)
	163 (65)	453.7 (17.8)	383.1 (15.1)	394.1 (15.5)	301±20 (11.9±1)	384±20 (15.2±1)
	LS03B	163 (65)	465.5 (18.3)	392.7 (15.5)	403.7 (15.9)	311±20 (12.3±1)

*Type A installation with wall bracket – Drywall

*Type B installation without bracket – Brick or Concrete

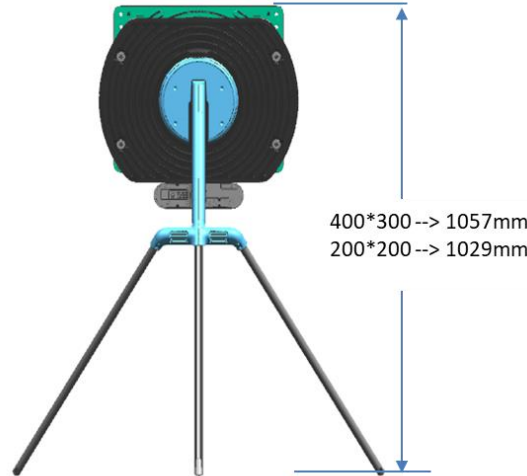
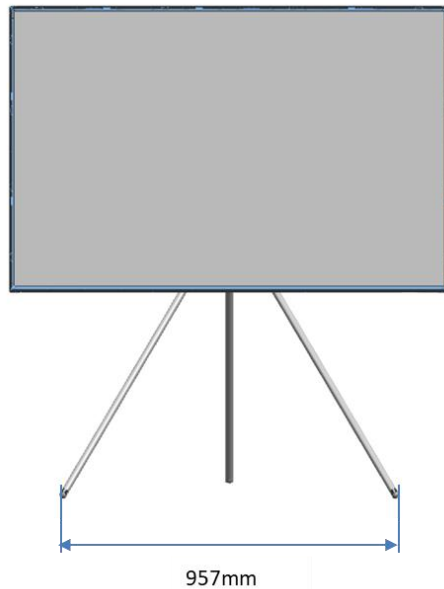


Auto Rotating Accessory

**Dimensions in millimeters (+ / - 0.1 mm)*

Model Name	VG-ARAB22STD**	VG-ARAB43STD**
TYPE	STAND	
VESA SIZE	200*200	400*300
Compatibility	'22 The Frame (LS03B) 43"/50"/55" '22 NeoQLED 4K (QN90B) 43"/50"/55" '22 NeoQLED 4K (QN85B) 55"	'22 NeoQLED 4K (QN95B) 55" '22 NeoQLED 8K (QN700B) 55"
SET(Without stand) (W * H * D)mm	957 * 1029 * 771	957 * 1057 * 771

Stand Mount



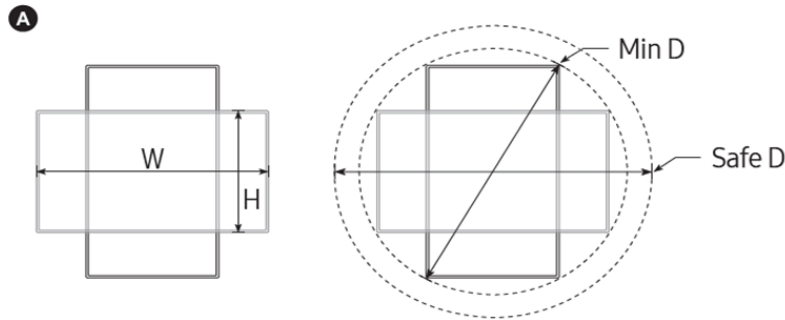
SAMSUNG IS NOT RESPONSIBLE FOR INACCURACIES. FOR CRITICAL INSTALLATIONS, IT IS STRONGLY RECOMMENDED TO CONFIRM ALL MEASUREMENTS USING THE SPECIFIC TV TO BE INSTALLED.



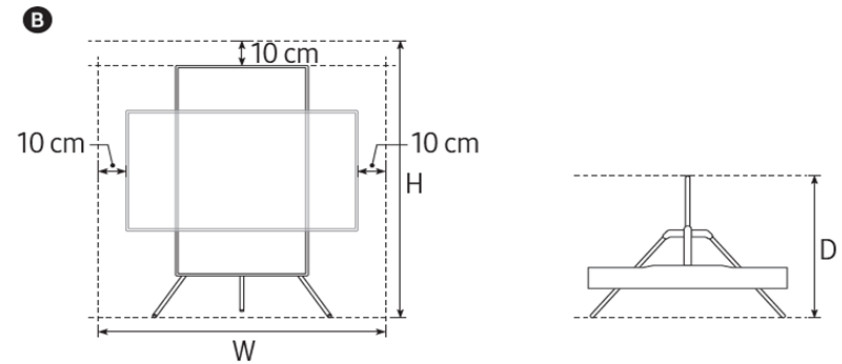
Auto Rotating Accessory

**Dimensions in millimeters (+ / - 0.1 mm)*

Rotation and Safety Dimensions



A (inches)	43	50	55	65
W (cm)	98	113	124	146
H (cm)	56	65	72	84
Min D (cm)	113	131	144	169
Safe D (cm)	133	151	164	189



B (inches)	43	50	55
W (cm)	117	133	145
H (cm)	140	148	154
D (cm)	80	80	80