



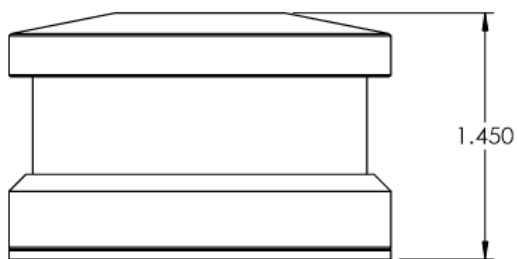
P15 American Pagoda | Path Light

PRODUCT DESCRIPTION

Ideal for pathways, walkways, patios, and small areas.

The American Pagoda Series Path Lights feature an incredible 360° diffused light output. The P15 is low profile at less than 1.5 inches tall and utilizes a twist-lock surface mount suitable for install on horizontal or vertical surfaces.

PRODUCT DIMENSIONS & BEAM SPREAD



Patent pending

FEATURES & BENEFITS

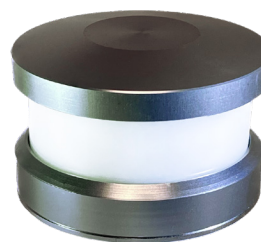
- Built in the U.S.A.
- CNC-machined from 6061 aircraft-grade aluminum.
- U.S.A. made light engine and driver.
- Built in surge protector.
- IP66 rated.
- CREE 2 step binned LEDs with L70 over 80,000 hours.

SPECIFICATIONS

- 1.45" x 2.25" diameter
- **Construction:** 6061 aircraft-grade aluminum
- **Finishes:** Architectural Bronze (AB), Black (BLK), Stainless Aluminum (SSA)
- **Lead Wire:** 90" 22 AWG tinned copper
- **Mounting:** Supplied surface mount
- **Driver System:** Internal
- **Operating Voltage:** 10.5-18 VAC
- **CRI:** 80+
- **Beam Spread:** 360°



BLK



SSA



AB

POWER CONSUMPTION

COLOR TEMPERATURE	WATTAGE	VA	LUMENS
● 3000K*	1W	2VA	115LM

ADDITIONAL COLOR TEMPERATURE OPTIONS

- 2700K ● 5000K** ● Amber** ● Blue** ● Royal Blue**
- Green** ● Red**

WARRANTY

20 Year Limited Warranty

CERTIFICATIONS



Tested to UL standards.

*3000K is stocked item. 2700K is non-stocked item that requires 5-7 business days additional lead time, special order deposit and are non-refundable.
 **Special order only. Requires 5-7 business days additional lead time, special build fee, special order deposit, and are non-refundable.



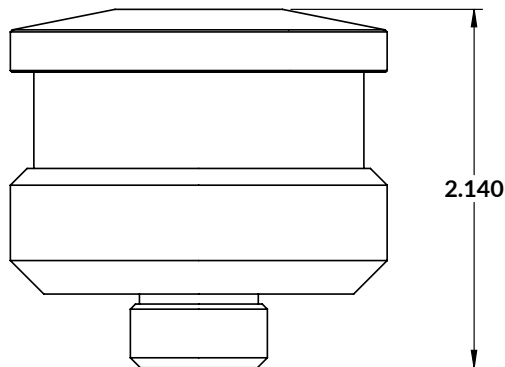
P16 American Pagoda | Path Light

PRODUCT DESCRIPTION

Ideal for pathways, walkways, patios, and small areas.

The American Pagoda Series Path Lights feature an incredible 360° diffused light output. The P16 is low profile at just over 1.5 inches tall installed and comes with an LV130 stake.

PRODUCT DIMENSIONS & BEAM SPREAD



Patent pending

FEATURES & BENEFITS

- Built in the U.S.A.
- CNC-machined from 6061 aircraft-grade aluminum.
- U.S.A. made light engine and driver.
- Built in surge protector.
- IP66 rated.
- CREE 2 step binned LEDs with L70 over 80,000 hours.

SPECIFICATIONS

- 2.14" x 2.25" diameter
- **Construction:** 6061 aircraft-grade aluminum
- **Finishes:** Architectural Bronze (AB), Black (BLK), Stainless Aluminum (SSA)
- **Lead Wire:** 90" 22 AWG tinned copper
- **Mounting:** 8.5" LV130 ground stake
- **Driver System:** Internal
- **Operating Voltage:** 10.5-18 VAC
- **CRI:** 80+
- **Beam Spread:** 120°



BLK



SSA



AB

POWER CONSUMPTION

COLOR TEMPERATURE	WATTAGE	VA	LUMENS
● 3000K*	1W	2VA	115LM

ADDITIONAL COLOR TEMPERATURE OPTIONS

- 2700K ● 5000K** ● Amber** ● Blue** ● Royal Blue**
- Green** ● Red**

WARRANTY

20 Year Limited Warranty

CERTIFICATIONS



Tested to UL standards.

*3000K is stocked item. 2700K is non-stocked item that requires 5-7 business days additional lead time, special order deposit and are non-refundable.
 **Special order only. Requires 5-7 business days additional lead time, special build fee, special order deposit, and are non-refundable.



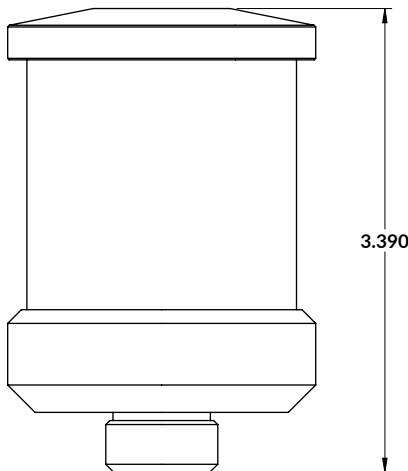
P17 American Pagoda | Path Light

PRODUCT DESCRIPTION

Ideal for pathways, walkways, patios, and small areas.

The American Pagoda Series Path Lights feature an incredible 360° diffused light output. The P17 offers 2 linear inches of illumination in a 3.39 inch package. Comes with an LV130 stake.

PRODUCT DIMENSIONS & BEAM SPREAD



Patent pending

FEATURES & BENEFITS

- Built in the U.S.A.
- CNC-machined from 6061 aircraft-grade aluminum.
- U.S.A. made light engine and driver.
- Built in surge protector.
- IP66 rated.
- CREE 2 step binned LEDs with L70 over 80,000 hours.

SPECIFICATIONS

- 3.39" x 2.25" diameter
- **Construction:** 6061 aircraft-grade aluminum
- **Finishes:** Architectural Bronze (AB), Black (BLK), Stainless Aluminum (SSA)
- **Lead Wire:** 90" 22 AWG tinned copper
- **Mounting:** 8.5" LV130 ground stake
- **Driver System:** Internal
- **Operating Voltage:** 10.5-18 VAC
- **CRI:** 80+
- **Beam Spread:** 360°



BLK

POWER CONSUMPTION

COLOR TEMPERATURE	WATTAGE	VA	LUMENS
3000K*	1W	2VA	115LM

ADDITIONAL COLOR TEMPERATURE OPTIONS

- 2700K
- 5000K**
- Amber**
- Blue**
- Royal Blue**
- Green**
- Red**

WARRANTY

20 Year Limited Warranty

CERTIFICATIONS



Tested to UL standards.

*3000K is stocked item. 2700K is non-stocked item that requires 5-7 business days additional lead time, special order deposit and are non-refundable.
 **Special order only. Requires 5-7 business days additional lead time, special build fee, special order deposit, and are non-refundable.



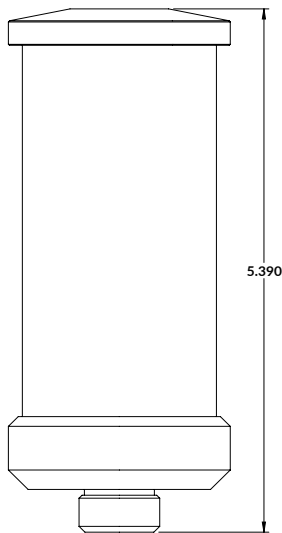
P18 American Pagoda | Path Light

PRODUCT DESCRIPTION

Ideal for pathways, walkways, patios, and small areas.

The American Pagoda Series Path Lights feature an incredible 360° diffused light output. The P18 offers 4 linear inches of illumination in a 5.39 inch package. Comes with an LV130 stake.

PRODUCT DIMENSIONS & BEAM SPREAD



Patent pending

FEATURES & BENEFITS

- Built in the U.S.A.
- CNC-machined from 6061 aircraft-grade aluminum.
- U.S.A. made light engine and driver.
- Built in surge protector.
- IP66 rated.
- CREE 2 step binned LEDs with L70 over 80,000 hours.

SPECIFICATIONS

- **5.39"** x 2.25" diameter
- **Construction:** 6061 aircraft-grade aluminum
- **Finishes:** Architectural Bronze (AB), Black (BLK), Stainless Aluminum (SSA)
- **Lead Wire:** 90" 22 AWG tinned copper
- **Mounting:** 8.5" LV130 ground stake
- **Driver System:** Internal
- **Operating Voltage:** 10.5-18 VAC
- **CRI:** 80+
- **Beam Spread:** 120°



BLK

POWER CONSUMPTION

COLOR TEMPERATURE	WATTAGE	VA	LUMENS
● 3000K*	1W	2VA	115LM

ADDITIONAL COLOR TEMPERATURE OPTIONS

- 2700K ● 5000K** ● Amber** ● Blue** ● Royal Blue**
- Green** ● Red**

WARRANTY

20 Year Limited Warranty

CERTIFICATIONS



Tested to UL standards.

*3000K is stocked item. 2700K is non-stocked item that requires 5-7 business days additional lead time, special order deposit and are non-refundable.
 **Special order only. Requires 5-7 business days additional lead time, special build fee, special order deposit, and are non-refundable.



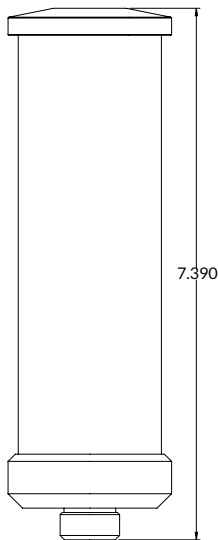
P19 American Pagoda | Path Light

PRODUCT DESCRIPTION

Ideal for pathways, walkways, patios, and small areas.

The American Pagoda Series Path Lights feature an incredible 360° diffused light output. The P19 offers 6 linear inches of illumination in a 7.39 inch package. Comes with an LV130 stake.

PRODUCT DIMENSIONS & BEAM SPREAD



Patent pending

FEATURES & BENEFITS

- Built in the U.S.A.
- CNC-machined from 6061 aircraft-grade aluminum.
- U.S.A. made light engine and driver.
- Built in surge protector.
- IP66 rated.
- CREE 2 step binned LEDs with L70 over 80,000 hours.

SPECIFICATIONS

- 7.39" x 2.25" diameter
- **Construction:** 6061 aircraft-grade aluminum
- **Finishes:** Architectural Bronze (AB), Black (BLK), Stainless Aluminum (SSA)
- **Lead Wire:** 90" 22 AWG tinned copper
- **Mounting:** 8.5" LV130 ground stake
- **Driver System:** Internal
- **Operating Voltage:** 10.5-18 VAC
- **CRI:** 80+
- **Beam Spread:** 360°



BLK

POWER CONSUMPTION

COLOR TEMPERATURE	WATTAGE	VA	LUMENS
● 3000K*	1W	2VA	115LM

ADDITIONAL COLOR TEMPERATURE OPTIONS

- 2700K ● 5000K** ● Amber** ● Blue** ● Royal Blue**
- Green** ● Red**

WARRANTY

20 Year Limited Warranty

CERTIFICATIONS



Tested to UL standards.

*3000K is stocked item. 2700K is non-stocked item that requires 5-7 business days additional lead time, special order deposit and are non-refundable.
 **Special order only. Requires 5-7 business days additional lead time, special build fee, special order deposit, and are non-refundable.