

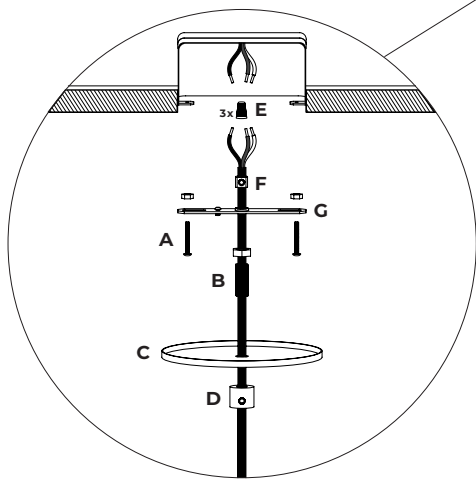
LUXE PENDANT INSTALLATION INSTRUCTIONS

CAUTION

Be sure the power is turned off by either removing the fuse or shutting off the circuit breaker. Installing your Niche pendant is pretty straight forward, but we always suggest that you work with a certified electrician to ensure proper installation. An electrician can also install your lights on a dimmer switch if using dimmable bulbs. This is highly recommended.

1 SET DROP LENGTH

Measure twice, cut once! Make sure your pendant hangs at the right height by setting your drop length ahead of time. Once you calculate your **finished** drop length from ceiling to the top of the pendant, make sure and leave about 8" of extra cord for wiring inside the junction box.



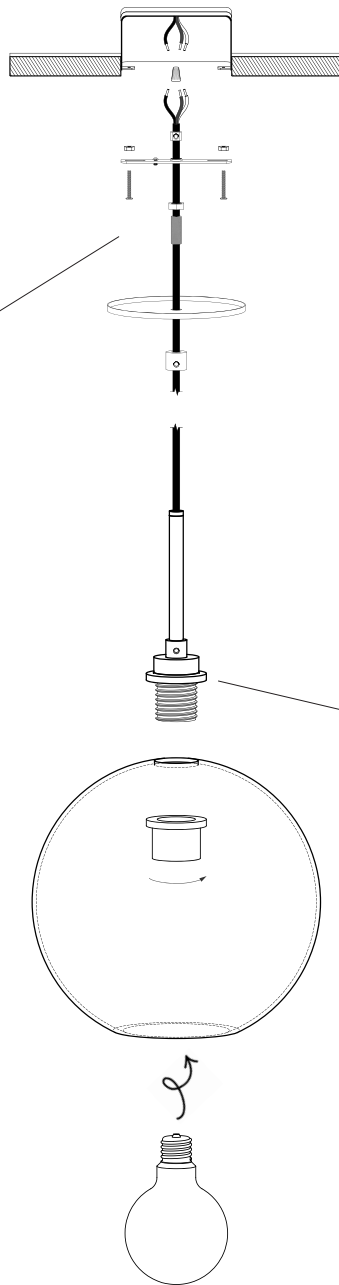
2 WIRE IT UP!

Your pendant includes everything you need to install directly into a junction box. Thread the wire-end of your cord through the included parts of the canopy kit, as pictured. Strip back about 6" of the outer insulation (be careful not to cut the inner wires). Strip the end of each inner wire and connect with wire nuts (E) to the hot and neutral in the junction box, followed by attaching the crossbar (G) & the canopy (C).

Your electrician will be able to help you with these steps!

LUXE CANOPY KIT INCLUDES

- A MOUNTING SCREWS
- B NIPPLE PIPE
- C CANOPY
- D CANOPY STRAIN RELIEF
- E 3x WIRE NUTS
- F WIRE STRAIN RELIEF
- G CROSSBAR
- H GLASS STRAIN RELIEF
- I SHADE RING
- J THREADED SOCKET
- K SOCKET COVER / SHADE RING



3 THE FINAL MOMENT

When attaching the glass shade to the cord set, remove the socket cover/shade ring (K) from the threaded socket (J). Be sure to hold onto the top of the hardware when installing or removing the glass to clean. Raise the glass shade over the threaded socket, and re-attach the socket cover/shade ring. Be sure to balance the glass before tightening the shade ring. Do not overtighten.

Finally, insert the bulb, making sure that too is straight. Turn the circuit breaker back on, flip the switch, and prepare to be illuminated!